

Surge-Trap[®] Pluggable SPD

DIN-rail Style SPD

Surge-Trap[®] Pluggable Surge Protective Device (SPD) is a no-fuse, fail-safe surge suppressor featuring Mersen's patented T_PMOV[®] technology inside. The pluggable SPD is UL 1449 Third Edition approved. It is DIN-rail mountable featuring a fail-safe self-protected design, visual indicator and a small footprint. A remote indicator option provides status to critical control circuits. The Surge-Trap Pluggable SPD has a high short circuit rating and a thermally protected MOV, which eliminates the need for additional overcurrent protection devices.

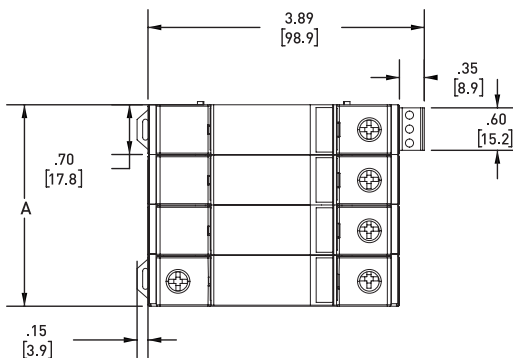
Features/Benefits:

- Easy installation or retrofit
- DIN-rail mountable
- Fail-safe, self-protected design
- Remote indicator
- Visual indicator
- IP20 finger-safe design
- Small footprint
- No additional overcurrent protection devices required
- Easy to replace modules
- Two-year warranty

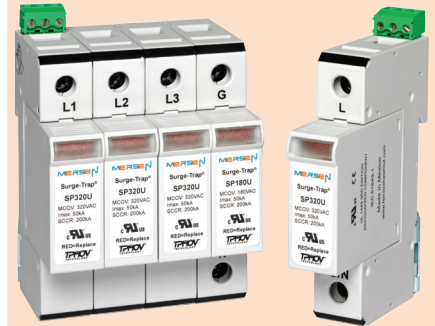
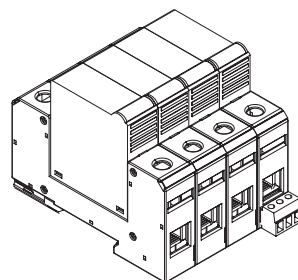
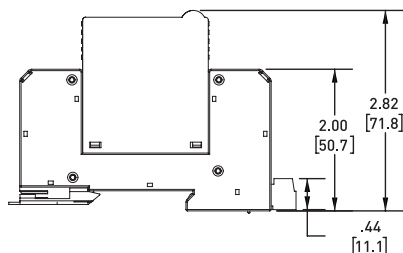
Applications:

- AC/DC distribution
- Power supplies
- Industrial automation
- Telecommunications
- Motor controls and starter systems
- Programmable logic controller (PLC)
- Power transfer equipment
- Photovoltaic systems
- HVAC applications
- AC drives
- UPS systems
- Security systems
- IT/Data centers
- Medical equipment

Dimensions



Poles	in	mm
1 Pole	0.71	18.03
2 Pole	1.42	36.06
3 Pole	2.13	54.10
4 Pole	2.84	72.13



Ratings

Volts : 120V to 600V
: 600V to 1000V (PV only)

SCCR : 200kA

Operating & storage temp
: -25°C to +60°C

Wiring range:
: #6 to #14AWG

Nominal discharge current
: 20kA

Approvals:

- UL 1449 Third Edition Approved, File E210793
- Type 4 UL Recognized Component (Tested to UL Type 2 SPD)
- IEC 61643-1
- RoHS Compliant
- ANSI/IEEE C62.41
- CE



Surge-Trap[®] Pluggable SPD

Product Type	Voltage	System Type	Mode	Auxiliary Microswitch
STP - Pluggable	480 120 120/208 120/240 240 277 347 480 240/480 277/480 347/600 600 1000 1200	1P - Single Phase 3PY - 3 Phase Wye SP - Split Phase 3PD - 3 Phase Delta 3PH - 3 Phase Highleg PV - Photovoltaic	Blank - Includes N-G Mode G - Does Not Provide N-G Mode	M - Microswitch Included

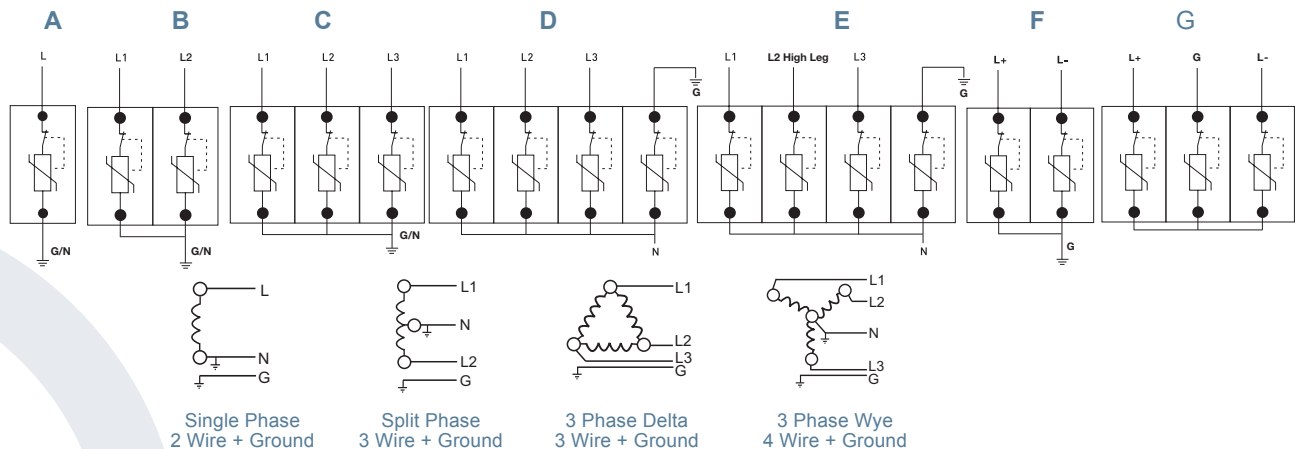
Indicates PV only

Catalog Numbers

Catalog No.	Nominal Voltage (VAC)	MCOV L-G	No. of Poles	System Type	Nominal Discharge Current ** (In, kA)	Max. Discharge Current (Imax, 8/20µs, kA)	SCCR (kA)	Freq (Hz)	Replacement Plug Part No	Voltage Protection Rating (VPR)				No. of Wires	Circuit Connection Wiring Diagrams
										L-N	L-G	N-G	L-L		
STP1201PGM	120	180	1	1P	20	50	200	50/60	SP180U	600				2	A
STP2083PYM	120/208	360	4	3PY	20	50	200	50/60	SP180U	600	1200	600	1200	5	D
STP2083PYGM	120/208	180	3	3PY	20	50	200	50/60	SP180U	600			1200	4	C
STP2301PGM	240	275	1	1P	20	50	200	50/60	SP275U	900				2	A
STP2403PDGM	240D	275	3	3PD	20	50	200	50/60	SP275U		900		1800	4	C
STP2403PHM	120/240	*	4	3PH	20	50	200	50/60	SP180U, SP275U	600	1200	600	1200	5	E
STP240SPGM	120/240	180	2	SP	20	50	200	50/60	SP180U	600			1200	3	B
STP2771PGM	277	320	1	1P	20	50	200	50/60	SP320U	1000				2	A
STP3471PGM	347	420	1	1P	20	50	200	50/60	SP420U	1500				2	A
STP4803PDGM	480D	550	3	3PD	20	50	200	50/60	SP550U		1800		3000	4	C
STP4803PHM	240/480	*	4	3PH	20	50	200	50/60	SP275U, SP550U, SP180U	900	1500	600	1800	5	E
STP4803PYM	277/480	500	4	3PY	20	50	200	50/60	SP320U, SP180U	1000	1500	600	1800	5	D
STP4803PYGM	277/480	320	3	3PY	20	50	200	50/60	SP320U	1000			1800	4	C
STP480SPGM	240/480	275	2	SP	20	50	200	50/60	SP275U	900			1800	3	B
STP6003PYM	347/600	695	4	3PY	20	50	200	50/60	SP420U, SP275U	1500	2000	900	2500	5	D
STP6003PYGM	347/600	420	3	3PY	20	50	200	50/60	SP420U	1500			2500	4	C

Catalog No. PV	Nominal Operating DC Voltage (V)	Ucpv*	Nominal Discharge Current (In, 8/20, kA)	Imax Discharge Current (Imax, 8/20µs, kA)	Voltage Protection Level (Up @ In, kV)	Iscwpv** (kA)	L/R	Replacement Plug Part No	No. of Poles	Wiring Diagrams
STP600PVM	600	720	10	40	<4.0	10	<= 1mS	SP670PV	2	F
STP600YPVM	600	720	20	40	<4.0	10	<= 1mS	SP350PV	3	G
STP1000YPVM	1000	1200	20	40	<4.0	10	<= 1mS	SP560PV	3	G
STP1200YPVM	1200	1440	20	40	<5.0	10	<= 1mS	SP74SPV	3	G

* Ucpv: Maximum continuous operating DC voltage. **Values based upon SPD type 2 testing



For the most current product performance data visit us-ferrazshawmut.mersen.com and use catalog search.