

# Surge-Trap<sup>®</sup> Type 1 SPD

## UL TYPE 1 SPD for Indoor Applications

The Surge-Trap<sup>®</sup> Type 1 SPD meets requirements for UL 1449 Third Edition and is ideal for indoor applications. It provides a two-year warranty and offers an economical replacement for the former surge arrester category. The Surge-Trap Type 1 SPD features TPMOV<sup>®</sup> technology inside making it a “no-fuse” surge suppressor that doesn’t require the use of additional overcurrent protection. It can be installed upstream or downstream of the main disconnect.

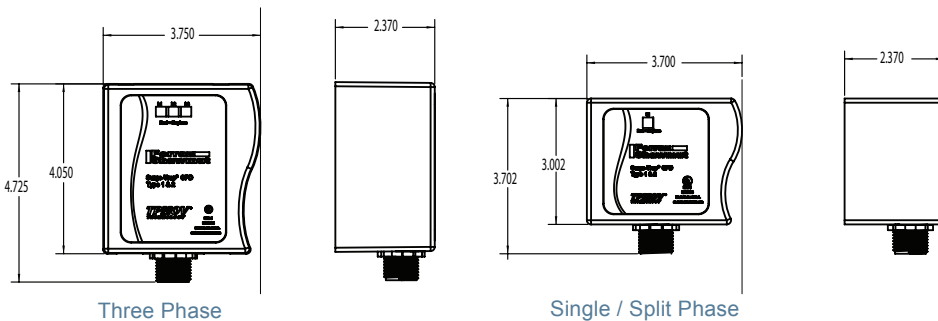
### Features/Benefits:

- Compact design
- Panel mount
- No additional overcurrent protection devices required
- 200kA Short circuit current rating (SCCR)
- UL 1449 Third Edition Type 1 listed
- For indoor, NEMA 2, applications
- Status LEDs
- Two-year warranty

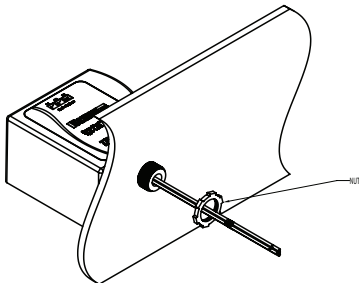
### Applications:

- AC distribution
- Power supplies
- Industrial
- Commercial
- Telecommunications
- Residential
- IT / Data centers

### Dimensions



### Installation Diagram



### Ratings:

**Surge** : 50kA per phase

**Volts** : 120V to 600V

**SCCR** : 200kA

**Operating & storage temp**

: -25°C to +60°C

**Wiring size**

: 16" #12 AWG integral leads

**Enclosure**

: NEMA 2

**Nominal discharge current**

: 20kA

### Approvals:

- UL 1449 Third Edition Approved, File E210793
- Type 1 Listed for United States
- Type 2 Listed for Canada
- RoHS Compliant
- ANSI/IEEE C62.41
- CE
- UL 96A Lightning Protection Master Label (for 20kA,  $I_n$ , most models)

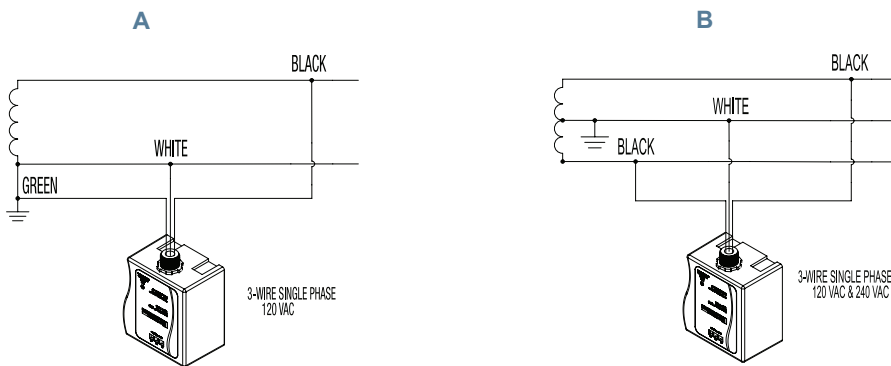


# Surge-Trap<sup>®</sup> Type 1 SPD

## Catalog Numbers

Catalog No.	Nominal Voltage (VAC)	System Type	Freq (Hz)	MCOV (L-G)	Nominal Discharge Current (In, kA)	Voltage Protection Rating (VPR)				UL Listing Type	Circuit Connection Wiring Diagrams
						L-N	L-G	N-G	L-L		
STT21201PG	120	1	50/60	180	20	700	1200	600	-	USL - Type 1	A
STT2240SPG	120/240	1S	50/60	180	20	700	-	-	1200	USL - Type 1	B
STT22083PYG	120/208	3Y	50/60	180	20	700	-	-	1200	USL - Type 1	D
STT24803PYG	277/480	3Y	50/60	320	10	1200	-	-	2000	USL - Type 1	D
STT26003PYG	347/600	3Y	50/60	420	10	1500	-	-	2500	USL - Type 1	D
STT22403PDG	240	3D	50/60	270	20	-	1000	-	1800	USL - Type 1	C
STT24803PDG	480	3D	50/60	550	10	-	1800	-	3000	USL - Type 1	C

## Single/Split Phase



## Three Phase Delta & Wye

