

VSP MOV Protector Fuse

Surge Suppression Fuses

Mersen surge suppression fuses are specially designed to address the protection of SPD systems. Our surge suppression fuses have been specially designed to withstand 8x20 μ Sec surge pulses without opening, allowing the SPD system to react to the surge. All surge suppression fuses have a 8x20 μ Sec surge rating, not a continuous current rating. Under AC short circuit conditions these surge suppression fuses are very current limiting.

Features/Benefits:

- VSP fuses rated 600VAC, 200kA I.R.
- Surge ratings of 5-100kA 8 x 20 μ Sec capacity
- Various mounting configurations ferrules, blade, bolt-in, pc board mount

Applications:

- Protection of surge protection devices (SPD)
- Coordination with other protection devices

Catalog Numbers

Catalog No. (Connection Suffix)	Voltage Rating (AC)	8x20 μ SEC Surge Rating	Melting I _t (A2S)	Clearing I _t (A2S)	I _{PEAK} @ 100kA 60 Hz (A)
VSP5-2,-R,-H,-S	600V	5,000	341	936	3,652
VSP10-2,-R,-H,-S	600V	10,000	1,541	3,744	5,794
VSP15-2,-R,-H,-S	600V	15,000	3,072	8,424	7,591
VSP20-2,-R,-H,-S	600V	20,000	4,992	14,400	9,194
VSP30,-2	600V	30,000	12,507	33,696	12,044
VSP40,-2	600V	40,000	19,543	59,904	14,588
VSP50,-2	600V	50,000	32,020	93,600	16,925
VSP60,-2	600V	60,000	42,808	134,784	19,110
VSP70,-2	600V	70,000	61,152	183,456	21,176
VSP80,-2	600V	80,000	79,872	239,616	23,146
VSP90,-2	600V	90,000	99,000	303,264	25,034
VSP100,-2	480V	100,000	121,500	374,400	26,854
VSP100-XL	600V	100,000	121,500	374,400	26,854

Recommended Fuse Blocks for VSP Fuses

VSP(5-20)-2

Number of Poles	Screw with Double Quick Connects	Pressure Plate with Double Quick Connects	Copper Box Connector
ADDER	30310	30320	30350
1	30311	30321	30351
2	30312	30322	30352
3	30313	30323	30353

VSP(30-100)-2

Number of Poles	Catalog Number		
ADDER	60305J	60315J	60325J
1	60306J	60316J	60326J
2	60307J	60317J	60327J
3	60308J	60318J	60328J



Ratings

Volts : 600V AC

Surge Rating

: 5-100kA 8x20 μ Sec
600 VAC

I.R. : 200kA I.R. AC

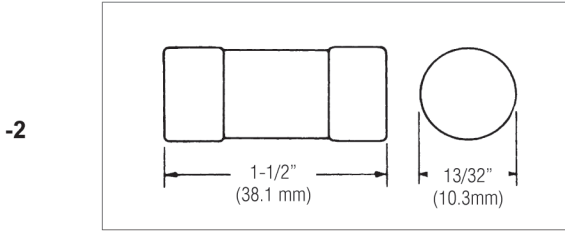
Approvals

- UL Recognized Component
File E60314, Vol.3 Special Purpose MOV Protector



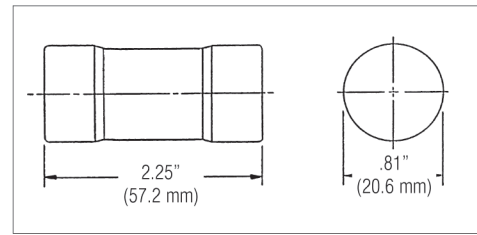
VSP MOV Protector Fuse

VSP (5-20)-2,R,H,S

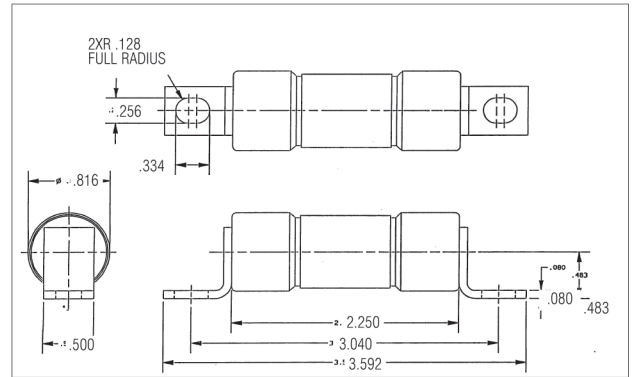
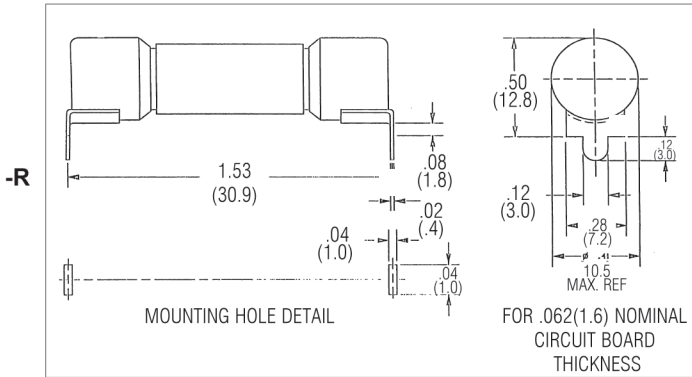


PC BOARD MOUNTING

VSP (30-100)-2



VSP30-100



VSP100-XL

