

750V DC Square Body/Special Purpose

Size 2x122

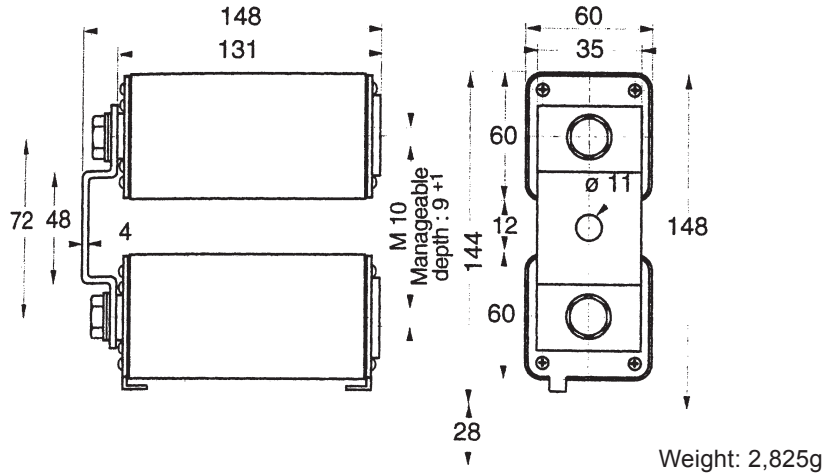
gRC - gRD from 500 to 900 A

Catalog Numbers, Ratings

Size	Current Rating I_N (A)	Interrupting I_N (A)	Maximum I^2t @900V=L/R 40ms		Watts Loss		Catalog Number	Ref. No.
			$I_{p=10I_N}$	$I_{p=50I_N}$	0.8 I_N	I_N		
2 x 122	500	@ 900V DC 100kA L/R = 40ms	5×10^6	1×10^6	51	94	CC 7,5 gRC 2122 TTF 0500	Q090473
	630		8×10^6	1.6×10^6	63	116	CC 7,5 gRC 2122 TTF 0630	R090474
	800		12.4×10^6	2.4×10^6	81	149	CC 7,5 gRC 2122 TTF 0800	S090475
	900		16×10^6	3.2×10^6	98	180	CC 7,5 gRD 2122 TTF 0900	T220955
			maximum I^2t (A²s) @800V = L/R 40ms $I_{p=10 I_N}$ $I_{p=50 I_N}$					
	1000	@750VDC 100kA L/R=50ms	25×10^6	4.8×10^6	104		CC 7,5 gRD 2122 TTF 1000	V220956

Microswitch: MC 3E 1-5N Ref. Number: D310020

Dimensions



Ratings:

- Volts** : 900VDC
- : 750VDC
- Amps** : 500 to 1000A
- IR** : 100kA I.R.
- L/R** : 40mSec (900V)
- L/R** : 100mSec (750V)