

1200V DC Square Body

Size 72

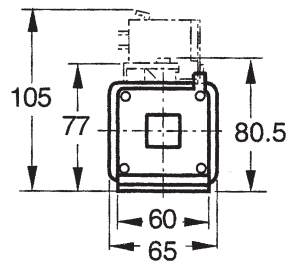
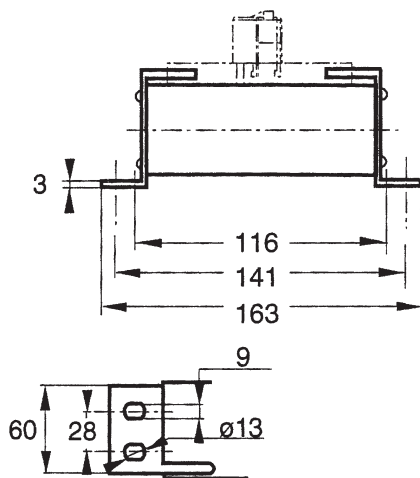
SRG from 160 to 420 A

Catalog Numbers, Ratings

Size	Current Rating I_N (A)	Interrupting I_N (A)	Maximum I^2t @1000V=		Watts Loss		Catalog Number	Ref. No.
			L/R=15ms	L/R=45ms	0.8 I_N	I_N		
72	160	@ 900V DC 100kA L/R = 40ms	12000	20000	41	77.5	CC 12 SRG 72 QF 0160	K079428
	200		21000	36000	48	88	CC 12 SRG 72 QF 0200	L079429
	250		45500	78500	57	96	CC 12 SRG 72 QF 0250	M079430
	315		90000	154000	60	110	CC 12 SRG 72 QF 0315	N079431
	400		182000	314000	66	129	CC 12 SRG 72 QF 0400	P079432
	420		220000	380000	67	131	CC 12 SRG 72 QF 0420	Q079433

Microswitch: MC 3E 1-5N Ref. Number: D310020

Dimensions



weight : 1,151 g



Ratings:

Volts : 1200VDC
 Amps : 160 to 420A
 IR : 100kA I.R.
 L/R : 15mSec