

GPM SERIES Panel Mount Fuse Holders

Mersen GPM panel mount fuse holders are in sizes to accommodate Class CC and midget (1-1/2" x 13/32") fuses. All 30A holders have glass-filled thermoplastic insulators for extra dependability and trouble-free installation. Patented design allows same body to accept screw or bayonet knob. Flange design allows front or rear mounting.

Catalog Numbers & Descriptions

| Catalog No. | Fig. | Cap Type | Amps | Volts | Fuse Type | Terminal Type |
|-------------|------|------------------------|------|-------|-----------------|--|
| GPM-S | 1 | Screw Knob | 30 | 600 | 1-1/2" x 13/32" | 1/4" Quick-connect/ Solder |
| GPM-S90 | 2 | Screw Knob | 30 | 600 | 1-1/2" x 13/32" | 1/4" Quick-connect/ Solder, Right Angle |
| GPM-SRR | 1 | Screw Knob | 30 | 600 | Class CC | 1/4" Quick-connect/ Solder |
| GPM-SRR90 | 2 | Screw Knob | 30 | 600 | Class CC | 1/4" Quick-connect/ Solder, Right Angle |
| GPM-B | 1 | 1/4 Turn Bayonet Knob | 30 | 600 | 1-1/2" x 13/32" | 1/4" Quick-connect/ Solder |
| GPM-B90 | 2 | 1/4 Turn Bayonet Knob | 30 | 600 | 1-1/2" x 13/32" | 1/4" Quick-connect/ Solder, Right Angle |
| GPM-BRR | 1 | 1/4 Turn Bayonet Knob | 30 | 600 | Class CC | 1/4" Quick-connect/ Solder |
| GPM-BRR90 | 2 | 1/4 Turn Bayonet Knob | 30 | 600 | Class CC | 1/4" Quick-connect/ Solder, Right Angle |
| GPM-WT | 1 | Water-tight Screw Knob | 30 | 600 | 1-1/2" x 13/32" | 1/4" Quick-connect/ Solder |
| GPM-WT90 | 2 | Water-tight Screw Knob | 30 | 600 | 1-1/2" x 13/32" | 1/4" Quick-connect/ Solder, Right Angle |
| GPM-WTR | 1 | Water-tight Screw Knob | 30 | 600 | Class CC | 1/4" Quick-connect/ Solder |
| GPM-WTR90 | 2 | Water-tight Screw Knob | 30 | 600 | Class CC | 1/4" Quick-connect/ Solder, Right Angle |



Ratings:

- Volts** : 600VAC / DC
- Amps** : 30A Maximum
- SCCR** : 200kA (Class CC Fuses)
: 100kA (Midget Fuses)

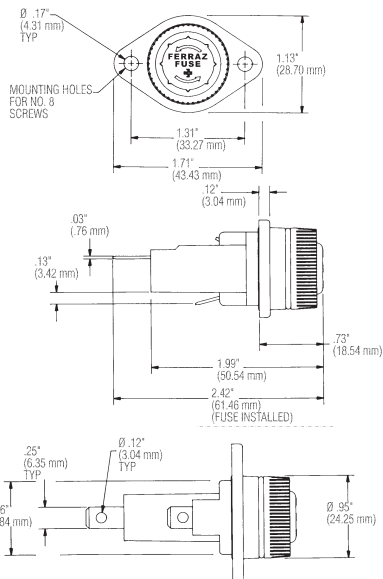


Figure 1

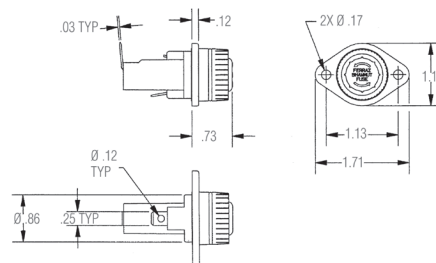


Figure 2

Recommended Fuse Usage:

GPM Fuse Holders will accommodate these Mersen fuses:

- GPM-SRR, GPM-BRR, GPM-WTR:** ATQR, ATDR, ATMR,
- GPM-SRR90, GPM-BRR90, GPM-WTR90:** ATQR, ATDR, ATMR,
- GPM-S, GPM-B, GPM-WT:** ATQ, ATM, TRM, OTM, GGU, A13X-2, A25Z-2, A60Q-2, A6Y-2B,
- GPM-S90, GPM-B90, GPM-WT90:** ATQ, ATM, TRM, OTM, GGU, A13X-2, A25Z-2, A60Q-2, A6Y-2B

Approvals:

- UL Recognized, guide IZLT2, File E52283
- CSA Certified - C22.2, class 6225, File 32169

