

Terminal blocks
Phase Neutral Ground
monoblock
Spring clamp
 DIN 3

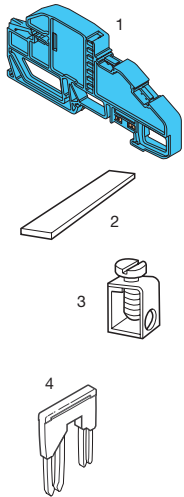


End stop		th. 9 mm	BADL	V0	1SNA 399 903 R0200
Rail		35 x 7,5 x 1	PR3.Z2		1SNA 174 300 R1700
Rail		35 x 15 x 2,3	PR4		1SNA 168 500 R1200
Rail		35 x 15 x 1,5	PR5		1SNA 168 700 R2200

Other end stops, rails and accessories : see section on accessories.

Notes

Accessories



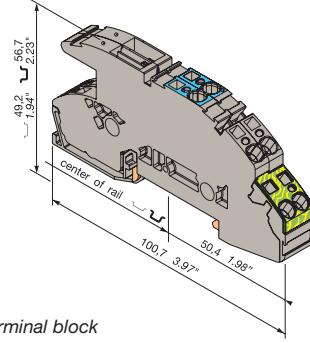
1	Neutral bar holder (1)	
2	Busbar	
3	Screw clamp for busbar	
4	Jumper bar	orange
		IP20 - 32 A



R See section on markers marking method

D 4/6.LNTP1.L

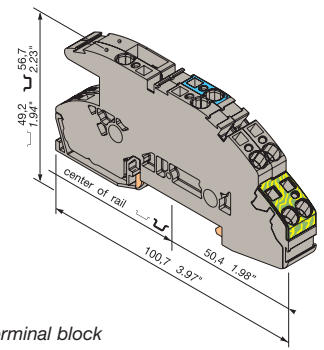
Spacing 12 mm .473"



Closed terminal block

D 4/6.LNTP3.L

Spacing 12 mm .473"



Closed terminal block



Colour	Type	Part number
2 feed-through circuits		
2 circuits to neutral bar with switch		
2 ground connections		
Grey with blue and green-yellow marking		
	D 4/6.LNTP1.L	1SNA 290 316 R0300

Colour	Type	Part number
3 feed-through circuits		
1 circuit to neutral bar with switch		
2 ground connections		
Grey with blue and green-yellow marking		
	D 4/6.LNTP3.L	1SNA 290 318 R1500

Characteristics

Wire size	IEC	DIN	UL	CSA
Spring Rigid	0,2-6 mm ²			
Spring clamp Flexible	0,2-4 mm ²			
Voltage				
Rated	400 V			
Impulse withstand	6 kV			
Pollution degree				

Characteristics

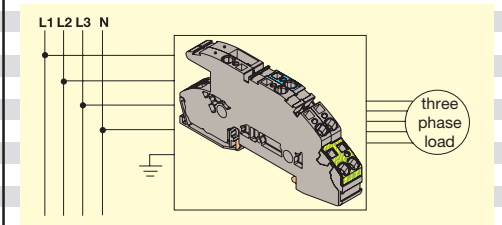
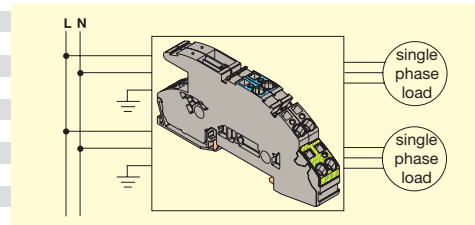
Wire size	IEC	DIN	UL	CSA
Spring Rigid	0,2-6 mm ²			
Spring clamp Flexible	0,2-4 mm ²			
Voltage				
Rated	400 V			
Impulse withstand	6 kV			
Pollution degree				

Current		Rated	Short circuit	32 A	480A/1s
Wire size					
Rated/gauge	4 mm ² /A4				
CEI 97-7-1	6 mm ²				
Manufacturer					
Wire strip. length	Recomm. screwdriver	Recomm. torque	Protection		
13 mm	4 mm		IP20		
.51"	.16"		NEMA 1		

Current		Rated	Short circuit	32 A	480A/1s
Wire size					
Rated/gauge	4 mm ² /A4				
CEI 97-7-1	6 mm ²				
Manufacturer					
Wire strip. length	Recomm. screwdriver	Recomm. torque	Protection		
13 mm	4 mm		IP20		
.51"	.16"		NEMA 1		

Type	Part numbers	
SPBO.NT.L	blue	1SNA 399 886 R2100
BO3	1000 x 10 x 3 mm	1SNA 164 406 R2400
SFB1	0,5 to 35 mm ² - H = 7	1SNA 163 860 R0500
SFB2	16 to 35 mm ² - H = 3	1SNA 168 956 R0600
BJDL 6.2	2 poles	1SNA 291 128 R2400
BJDL 6.3	3 poles	1SNA 291 129 R2500
BJDL 6.4	4 poles	1SNA 291 194 R1700
BJDL 6.5	5 poles	1SNA 291 195 R1000

Type	Part numbers	
SPBO.NT.L	blue	1SNA 399 886 R2100
BO3	1000 x 10 x 3 mm	1SNA 164 406 R2400
SFB1	0,5 to 35 mm ² - H = 7	1SNA 163 860 R0500
SFB2	16 to 35 mm ² - H = 3	1SNA 168 956 R0600
BJDL 6.2	2 poles	1SNA 291 128 R2400
BJDL 6.3	3 poles	1SNA 291 129 R2500
BJDL 6.4	4 poles	1SNA 291 194 R1700
BJDL 6.5	5 poles	1SNA 291 195 R1000



RC65

RC65

(1) 200 mm max. between 2 SPBO.NT.L

Terminal blocks
Phase Neutral Ground
monoblock
Spring clamp
 DIN 3

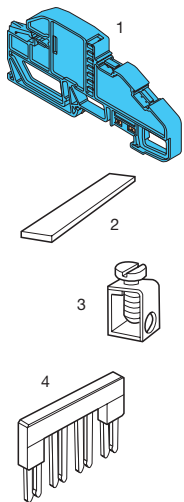


End stop		th. 9 mm	BADL	V0	1SNA 399 903 R0200
Rail		35 x 7,5 x 1	PR3.2Z		1SNA 174 300 R1700
Rail		35 x 15 x 2,3	PR4		1SNA 168 500 R1200
Rail		35 x 15 x 1,5	PR5		1SNA 168 700 R2200

Other end stops, rails and accessories : see section on accessories.

Notes

Accessories

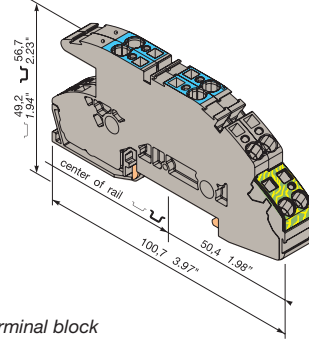


1	Neutral bar holder (1)	
2	Busbar	
3	Screw clamp for busbar	
4	Jumper bar	orange
	IP20 - 32 A	

R See section on markers marking method

D 4/6.LNTP2.L

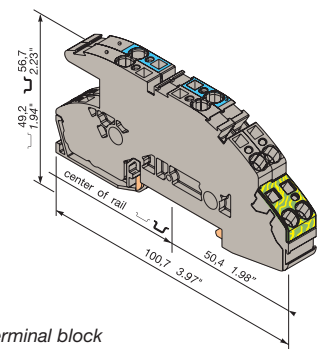
Spacing 12 mm .473"



Closed terminal block

D 4/6.LNTP8.L

Spacing 12 mm .473"



Closed terminal block



Colour	Type	Part number
2 feed-through circuits 2 neutral circuits 2 ground connections Grey with blue and green-yellow marking		D 4/6.LNTP2.L 1SNA 290 317 R0400

Colour	Type	Part number
3 feed-through circuits 1 neutral circuit 2 ground connection Grey with blue and green-yellow marking		D 4/6.LNTP8.L 1SNA 290 321 R0000

Characteristics

Wire size	IEC		UL	CSA
	NFC	DIN		
Spring Rigid	0,2-6 mm ²			
clamp Flexible	0,2-4 mm ²			
Voltage				
Rated	400 V			
Impulse withstand	6 kV			
Pollution degree				

Characteristics

Wire size	IEC		UL	CSA
	NFC	DIN		
Spring Rigid	0,2-6 mm ²			
clamp Flexible	0,2-4 mm ²			
Voltage				
Rated	400 V			
Impulse withstand	6 kV			
Pollution degree				

Current	
Rated	Short circuit 32 A 480A/1s

Current	
Rated	Short circuit 32 A 480A/1s

Wire size	
Rated/gauge	4 mm ² /A4
CEI 97-7-1	4 mm ² /A4
Manufacturer	6 mm ²

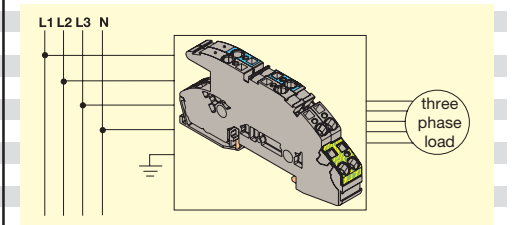
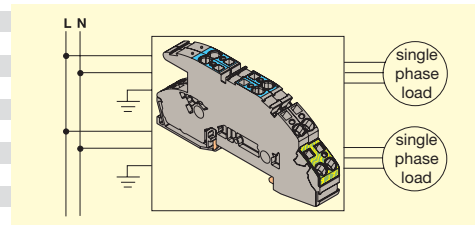
Wire size	
Rated/gauge	4 mm ² /A4
CEI 97-7-1	4 mm ² /A4
Manufacturer	6 mm ²

Wire strip. length	Recomm. screwdriver	Recomm. torque	Protection
13 mm	4 mm		IP20
.51"	.16"		NEMA 1

Wire strip. length	Recomm. screwdriver	Recomm. torque	Protection
13 mm	4 mm		IP20
.51"	.16"		NEMA 1

Type	Part numbers	
SPBO.NT.L blue	1SNA 399 886	R2100
BO3 1000 x 10 x 3 mm	1SNA 164 406	R2400
SFB1 0,5 to 35 mm ² - H = 7	1SNA 163 860	R0500
SFB2 16 to 35 mm ² - H = 3	1SNA 168 956	R0600
BJDL 6.2 2 poles	1SNA 291 128	R2400
BJDL 6.3 3 poles	1SNA 291 129	R2500
BJDL 6.4 4 poles	1SNA 291 194	R1700
BJDL 6.5 5 poles	1SNA 291 195	R1000

Type	Part numbers	
SPBO.NT.L blue	1SNA 399 886	R2100
BO3 1000 x 10 x 3 mm	1SNA 164 406	R2400
SFB1 0,5 to 35 mm ² - H = 7	1SNA 163 860	R0500
SFB2 16 to 35 mm ² - H = 3	1SNA 168 956	R0600
BJDL 6.2 2 poles	1SNA 291 128	R2400
BJDL 6.3 3 poles	1SNA 291 129	R2500
BJDL 6.4 4 poles	1SNA 291 194	R1700
BJDL 6.5 5 poles	1SNA 291 195	R1000

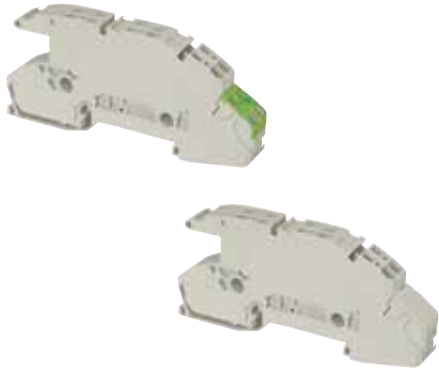


RC65

RC65

(1) 200 mm max. between 2 SPBO.NT.L

Terminal blocks
Phase Neutral Ground
monoblock
Spring clamp
 DIN 3

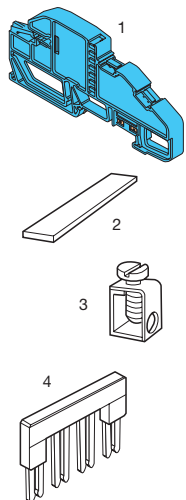


End stop		th. 9 mm	BADL	V0	1SNA 399 903 R0200
Rail		35 x 7,5 x 1	PR3.Z2		1SNA 174 300 R1700
Rail		35 x 15 x 2,3	PR4		1SNA 168 500 R1200
Rail		35 x 15 x 1,5	PR5		1SNA 168 700 R2200

Other end stops, rails and accessories : see section on accessories.

Notes

Accessories

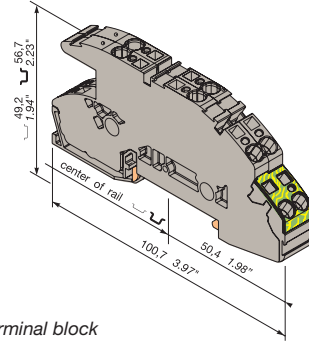


1	Neutral bar holder (1)	
2	Busbar	
3	Screw clamp for busbar	
4	Jumper bar	orange
	IP20 - 32 A	

R See section on markers marking method

D 4/6.LNTP4.L

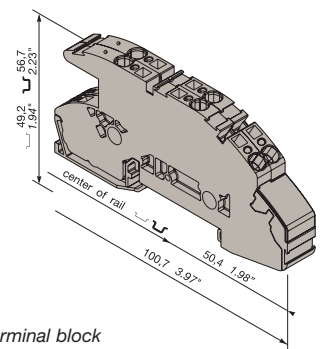
Spacing 12 mm .473"



Closed terminal block

D 4/6.LNTP6.L

Spacing 12 mm .473"



Closed terminal block



Colour	Type	Part number
4 feed-through circuits 2 ground connections		
Grey with green-yellow marking		D 4/6.LNTP4.L 1SNA 290 319 R1600

Colour	Type	Part number
4 feed-through circuits		
Grey		D 4/6.LNTP6.L 1SNA 290 320 R1300

Characteristics

Characteristics

Wire size	IEC		UL	CSA
	NFC	DIN		
Spring clamp	Rigid	0,2-6 mm ²		
	Flexible	0,2-4 mm ²		
Voltage				
Rated	400 V			
Impulse withstand	6 kV			
Pollution degree				

Wire size	IEC		UL	CSA
	NFC	DIN		
Spring clamp	Rigid	0,2-6 mm ²		
	Flexible	0,2-4 mm ²		
Voltage				
Rated	400 V			
Impulse withstand	6 kV			
Pollution degree				

Current	
Rated	Short circuit 32 A 480A/1s

Current	
Rated	Short circuit 32 A 480A/1s

Wire size	
Rated/gauge	4 mm ² /A4
CEI 97-7-1	6 mm ²
Manufacturer	

Wire size	
Rated/gauge	4 mm ² /A4
CEI 97-7-1	6 mm ²
Manufacturer	

Wire strip. length	Recomm. screwdriver	Recomm. torque	Protection
13 mm	4 mm		IP20
.51"	.16"		NEMA 1

Wire strip. length	Recomm. screwdriver	Recomm. torque	Protection
13 mm	4 mm		IP20
.51"	.16"		NEMA 1

Type	Part numbers	
SPBO.NT.L	blue	1SNA 399 886 R2100
BO3	1000 x 10 x 3 mm	1SNA 164 406 R2400
SFB1	0,5 to 35 mm ² - H = 7	1SNA 163 860 R0500
SFB2	16 to 35 mm ² - H = 3	1SNA 168 956 R0600
BJDL 6.2	2 poles	1SNA 291 128 R2400
BJDL 6.3	3 poles	1SNA 291 129 R2500
BJDL 6.4	4 poles	1SNA 291 194 R1700
BJDL 6.5	5 poles	1SNA 291 195 R1000

Type	Part numbers	
SPBO.NT.L	blue	1SNA 399 886 R2100
BO3	1000 x 10 x 3 mm	1SNA 164 406 R2400
SFB1	0,5 to 35 mm ² - H = 7	1SNA 163 860 R0500
SFB2	16 to 35 mm ² - H = 3	1SNA 168 956 R0600
BJDL 6.2	2 poles	1SNA 291 128 R2400
BJDL 6.3	3 poles	1SNA 291 129 R2500
BJDL 6.4	4 poles	1SNA 291 194 R1700
BJDL 6.5	5 poles	1SNA 291 195 R1000

RC65

RC65

(1) 200 mm max. between 2 SPBO.NT.L