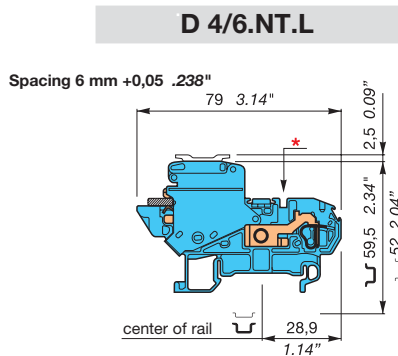
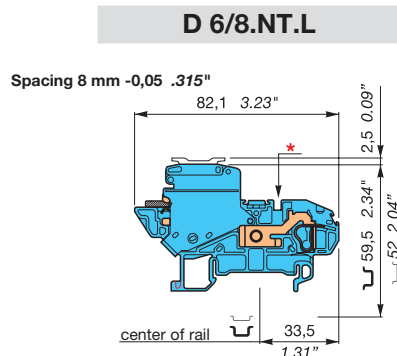


Switch terminal blocks spring clamp For neutral conductor

DIN 3



1 spring.



1 spring.



Color	Type	Part number
Blue	D 4/6.NT.L	1SNA 399 586 R2400

Color	Type	Part number
Blue	D 6/8.NT.L	1SNA 399 589 R0700

Characteristics

Characteristics

Wire size	IEC		UL	CSA
	NFC	DIN		
Rigid	0,2-6 mm ²			
Flexible	0,22-4 mm ²			
With isolated ferrule				
Busbar	10 x 3 mm - .394" x .12"			

Wire size	IEC		UL	CSA
	NFC	DIN		
Rigid	0,5-10 mm ²			
Flexible	0,5-6 mm ²			
With isolated ferrule				
Busbar	10 x 3 mm - .394" x .12"			

Voltage	
Rated	400 V
Impulse withstand	6 kV
Pollution degree	3

Voltage	
Rated	400 V
Impulse withstand	6 kV
Pollution degree	3

Current	
Rated	32 A

Current	
Rated	41 A

Wire size			
Rated / Gauge	4 mm ² / A4	Weight	Protection
Wire stripping length	Recommended screwdriver		
11 mm	4 mm	19 g	IP 20 (1)
.43"	.16"	.67 oz	NEMA 1

Wire size			
Rated / Gauge	6 mm ² / A5	Weight	Protection
Wire stripping length	Recommended screwdriver		
13 mm	5,5 mm	27 g	IP 20 (1)
.53"	.217"	.95 oz	NEMA 1

End stop		th. 9 mm	BADL	V0	1SNA 399 903 R0200
End stop		th. 10 mm	BAM2 V0	V0	1SNA 399 967 R0100
Rail		35 x 7,5 x 1	PR3.Z2		1SNA 174 300 R1700
Rail		35 x 15 x 2,3	PR4		1SNA 168 500 R1200
Rail		35 x 15 x 1,5	PR5		1SNA 168 700 R2200

Other end stops, rails and accessories : see section on accessories.

Notes

The use of some accessories may decrease the block's voltage rating. For more information, consult us.
One wire per spring.
Terminal block body material is UL 94 V0.
* Receptacle for jumper.

Accessories

	1 End section	blue	FED6.NL	V0	th. 2,5 mm	1SNA 399 588 R0600
	2 Separator	orange	VRPA1			1SNA 399 587 R2500
	3 Test plug	black	FC2.MC		DIA. 2 mm	1SNA 107 239 R0300
	4 Jumper bar IP 20	orange	BJDL6.2	V0	2 poles	1SNA 291 128 R2400
	5 Busbar		BJDL6.3	V0	3 poles	1SNA 291 129 R2500
	6 Compression clamp for busbar		BJDL6.4	V0	4 poles	1SNA 291 194 R1700
	7 Neutral bar end section holder (2)		BJDL6.5	V0	5 poles	1SNA 291 195 R1000
			BO3		10 x 3 mm	1SNA 164 406 R2400
			SFB1		0,5 to 35 mm ² H = 7	1SNA 163 860 R0500
			SFB2		16 to 35 mm ² H = 3	1SNA 168 956 R0600
			SPBO.NT.L	V0		1SNA 399 886 R2100

Type	Part number
FED6.NL	V0 th. 2,5 mm 1SNA 399 588 R0600
VRPA1	1SNA 399 587 R2500
FC2.MC	DIA. 2 mm 1SNA 107 239 R0300
BJDL6.2	V0 2 poles 1SNA 291 128 R2400
BJDL6.3	V0 3 poles 1SNA 291 129 R2500
BJDL6.4	V0 4 poles 1SNA 291 194 R1700
BJDL6.5	V0 5 poles 1SNA 291 195 R1000
BO3	10 x 3 mm 1SNA 164 406 R2400
SFB1	0,5 to 35 mm ² H = 7 1SNA 163 860 R0500
SFB2	16 to 35 mm ² H = 3 1SNA 168 956 R0600
SPBO.NT.L	V0 1SNA 399 886 R2100

Type	Part number
FED8.NL	V0 th. 2,5 mm 1SNA 399 590 R0400
VRPA1	1SNA 399 587 R2500
FC2.MC	DIA. 2 mm 1SNA 107 239 R0300
BJDL8.2	V0 2 poles 1SNA 291 122 R1600
BJDL8.3	V0 3 poles 1SNA 291 123 R1700
BJDL8.4	V0 4 poles 1SNA 291 144 R2400
BJDL8.5	V0 5 poles 1SNA 291 145 R2500
BO3	10 x 3 mm 1SNA 164 406 R2400
SFB1	0,5 to 35 mm ² H = 7 1SNA 163 860 R0500
SFB2	16 to 35 mm ² H = 3 1SNA 168 956 R0600
SPBO.NT.L	V0 1SNA 399 886 R2100

R See section on markers marking method

On top: RC 610 or RPC
On sides: RC 65

On top: RC 810 or RPC
On sides: RCAL 85

Nota : (1) Without busbar and cursor in open position. IP00 with busbar and cursor in close position.
(2) 200 mm max. between 2 SPBO.NT.L

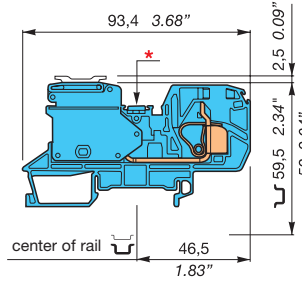
Switch terminal blocks spring clamp

For neutral conductor

 DIN 3

D 16/12.NT.L

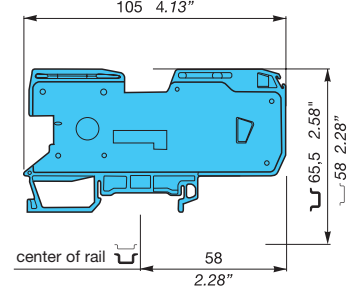
Spacing 12 mm .472"



1 spring block.

D 35/16.NT.L

Spacing 16 mm .630"



1 spring block.



Color	Type	Part number
Blue 	D 16/12.NT.L	1SNA 399 889 R0400

Color	Type	Part number
Blue 	D 35/16.NT.L	1SNA 399 892 R2700

Characteristics

Wire size	IEC		UL	CSA
	NFC	DIN		
Rigid	0,5-25 mm ²			
Flexible	0,5-16 mm ²			
With isolated ferrule				
Busbar	10 x 3 mm - .394" x .12"			

Characteristics

Wire size	IEC		UL	CSA
	NFC	DIN		
Rigid	2,5-50 mm ²			
Flexible	2,5-35 mm ²			
With isolated ferrule				
Busbar	10 x 3 mm - .394" x .12"			

Voltage				
Rated	400 V			
Impulse withstand	6 kV			
Pollution degree	3			




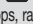
Voltage				
Rated	400 V			
Impulse withstand	4 kV			
Pollution degree	3			

Current				
Rated	76 A			

Current				
Rated	125 A			

Wire size				
Rated / Gauge	16 mm ² / A7			
Wire stripping length	Recommended screwdriver	Weight	Protection	
19 mm	6,5 mm	53 g	IP 10 (1)	
.748"	.256"	1.87 oz		

Wire size				
Rated / Gauge	35 mm ² / A9			
Wire stripping length	Recommended screwdriver	Weight	Protection	
26 mm	6,5 mm	35 g	IP 10 (1)	
1.024"	.256"	1.23 oz		

End stop		th. 9 mm	BADH	V2	1SNA 116 900 R2700
Rail		35 x 7,5 x 1	PR3.Z2		1SNA 174 300 R1700
Rail		35 x 15 x 2,3	PR4		1SNA 168 500 R1200
Rail		35 x 15 x 1,5	PR5		1SNA 168 700 R2200

Other end stops, rails and accessories : see section on accessories.

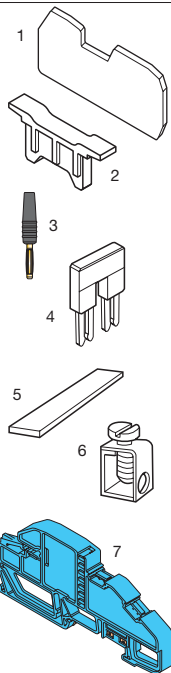
Notes

The use of some accessories may decrease the block's voltage rating. For more information, consult us. One wire per spring.

Terminal block body material is UL 94 V0.

* Slot for jumper on this side.

Accessories



1	End section	blue
2	Separator	orange
3	Test plug	black
4	Jumper bar	orange
	IP 20 - 57 A	
5	Busbar	
6	Compression clamp for busbar	
7	Neutral bar end section holder (2)	blue

Type	Part number
FED12.NT.L V0 th. 2,5 mm	1SNA 399 888 R0300
VRPA1	1SNA 399 587 R2500
FC2.MC DIA. 2 mm	1SNA 107 239 R0300
BJDL12.2 V0 2 poles	1SNA 399 563 R0400
BO3 10 x 3 mm	1SNA 164 406 R2400
SFB1 0,5 to 35 mm ² H = 7	1SNA 163 860 R0500
SFB2 16 to 35 mm ² H = 3	1SNA 168 956 R0600
SPBO.NT.L V0	1SNA 399 886 R2100

Type	Part number
BO3 10 x 3 mm	1SNA 164 406 R2400
SFB1 0,5 to 35 mm ² H = 7	1SNA 163 860 R0500
SFB2 16 to 35 mm ² H = 3	1SNA 168 956 R0600
SPBO.NT.L V0	1SNA 399 886 R2100

For disconnect device :

Recomm. screwdriver	Recomm. torque
4 mm	0,5-0,8 Nm
.16"	4.4-7.1 lb.in



R See section on markers marking method

On top:	RC 1010	or	RPC
On sides:	RCAL 85		

On top:	RC 1010	or	RPC
On sides:	RCAL 85		

Nota : (1) Without busbar and cursor in open position. IP00 with busbar and cursor in closed position. (2) 200 mm max. between 2 SPBO.NT.L