

Terminal blocks Insulation displacement



ADO - ADO

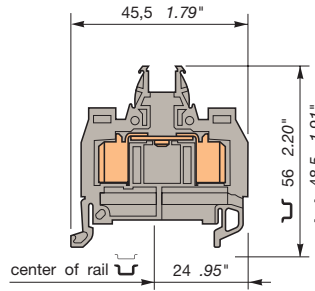
DIN 3

ADO wire size
0.22 - 1 mm²
24 - 18 AWG



D 1/5.ADO

Spacing 5 mm +0.05 .198"



Standard 5 mm block

Colour	Type	Part number
<i>Standard blocks</i>		
Grey	D 1/5.ADO	1SNA 199 563 R2400
Orange	D 1/5.ADO	1SNA 199 564 R2500
Blue	D 1/5.N.ADO	1SNA 199 565 R2600
Black	D 1/5.ADO	1SNA 199 566 R2700
Red	D 1/5.ADO	1SNA 199 567 R2000
Ivory	D 1/5.ADO	1SNA 199 568 R0100
Yellow	D 1/5.ADO	1SNA 199 569 R0200
Green	D 1/5.ADO	1SNA 199 570 R0700



Accessories

	Type	Part number
1 End section	grey yellow	FEMAD3 th. 3 mm 1SNA 199 341 R0500 1SNA 199 343 R0700
2 Circuit separator	grey	SCAD5 1SNA 199 551 R2000
3 Test socket		AL2 (1) DIA. 2 mm 1SNA 163 046 R2400
4 Test plug		FC2 DIA. 2 mm 1SNA 007 865 R2600
6 Assembled jumper bar (with IP20 protection)		BJMI5 (1) 24 A 2 poles 1SNA 176 278 R1600 BJMI5 (1) 24 A 3 poles 1SNA 176 279 R1700 BJMI5 (1) 24 A 4 poles 1SNA 176 280 R0500 BJMI5 (1) 24 A 5 poles 1SNA 176 281 R2200 BJMI5 (1) 24 A 10 poles 1SNA 176 282 R2300
7 Jumper bar not assembled Post + screw + washer		BJS5 (1) 24 A 20 poles 1SNA 177 652 R0600 EV5 1SNA 168 629 R1600
9 Screwless jumper bar to be inserted into ADO jaw orange IP20		BJADO5.2 13,5 A 2 poles 1SNA 205 955 R0300 BJADO5.3 13,5 A 3 poles 1SNA 205 956 R0400 BJADO5.4 13,5 A 4 poles 1SNA 205 957 R0500 BJADO5.5 13,5 A 5 poles 1SNA 205 958 R1600 BJADO5.10 13,5 A 10 poles 1SNA 205 963 R0300 BJADO5.20 13,5 A 20 poles 1SNA 205 973 R0500
10 Shield connector		CBM5 th. 0.5 mm 1SNA 178 745 R1400 CBM8 th. 0.8 mm 1SNA 178 746 R1500
11 Hand tool kit		OUMAD 1SNA 179 466 R0600
12 Semi-automatic tool		OUPAD 1SNA 178 944 R0400
13 Pneumatic tool kit		OUTAD 1SNA 205 710 R1100
14 Replacement head kit		OUTA 1SNA 205 284 R0300
15 Extraction tool kit		EXAD2 1SNA 205 721 R0000
16 Test connector		CEADO.5 1SNA 399 345 R1100 CEADOE 1SNA 399 341 R1500

refer to the section "Special Applications" for part numbers and characteristics.

End stop	th. 9 mm	BADL	V0	1SNA 399 903 R0200
End stop	th. 10 mm	BAM2	V2	1SNA 206 351 R1600
End stop	th. 10 mm	BAM2 V0	V0	1SNA 399 967 R0100
Rail	35 x 7,5 x 1	PR3.Z2		1SNA 174 300 R1700
Rail	35 x 15 x 2,3	PR4		1SNA 168 500 R1200
Rail	35 x 15 x 1,5	PR5		1SNA 168 700 R2200

Other end stops, rails and accessories : see section on accessories.

Characteristics

Wire size		IEC		UL/CSA
		NFC	DIN	
Screw	Rigid			
	Flexible			
ADO	Rigid	0,2-1 mm ²		24-18 AWG
	Flexible	0,22-1 mm ²		24-18 AWG
Voltage				
Rated		1000 V		600 V
Impulse withstand		8 kV		
Pollution degree		3		
Current				
Rated		13,5 A		7 A
Wire size				
Rated		1 mm ²		18 AWG
Wire stripping length (screw)	Recommended (screw)		Weight	Protection
			5 g	IP 20
			.18 oz	NEMA 1

Notes

Standard block 5 mm spacing. For multiple wires connections, the 2 wires need to be of the same gage and nature (rigid or flexible). Terminal block body material is UL 94 V0.



R See section on markers

marking method

RC55

RC510

RTM7

(1) SC and 500 V (IEC) rated voltage required with these accessories.

Terminal blocks Insulation displacement



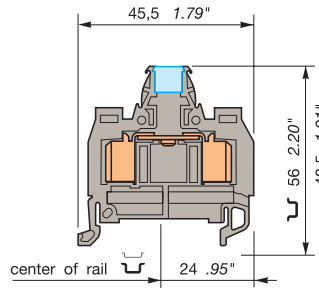
ADO - ADO
DIN 3

ADO wire size
0,22 - 1 mm²
24 - 18 AWG



D 1/5.ADO.1

Spacing 5 mm +0,05 .198"



D 1/5.ADO with partition

Colour Type Part number

Standard blocks

Grey **D 1/5.ADO.1** 1SNA 199 571 R2400



Accessories

Type Part number

	1 End section	grey	FEMAD3	th. 3 mm	1SNA 199 341 R0500
		yellow	FEMAD3	th. 3 mm	1SNA 199 343 R0700
	2 Test socket		AL2	DIA. 2 mm	1SNA 163 046 R2400
	3 Test plug		FC2	DIA. 2 mm	1SNA 007 865 R2600
	5 Assembled jumper bar (with IP20 protection)		BJMI5 (2)	24 A 2 poles	1SNA 176 278 R1600
			BJMI5 (2)	24 A 3 poles	1SNA 176 279 R1700
			BJMI5 (2)	24 A 4 poles	1SNA 176 280 R0500
			BJMI5 (2)	24 A 5 poles	1SNA 176 281 R2200
			BJMI5 (2)	24 A 10 poles	1SNA 176 282 R2300
	6 Jumper bar not assembled		BJS5 (2)	24 A 20 poles	1SNA 177 652 R0600
	Post + screw + washer		EV5 (2)		1SNA 168 629 R1600
	8 Screwless jumper bar to be inserted into ADO jaw orange IP20		BJADO5.2	13,5 A 2 poles	1SNA 205 955 R0300
			BJADO5.3	13,5 A 3 poles	1SNA 205 956 R0400
			BJADO5.4	13,5 A 4 poles	1SNA 205 957 R0500
			BJADO5.5	13,5 A 5 poles	1SNA 205 958 R1600
			BJADO5.10	13,5 A 10 poles	1SNA 205 963 R0300
			BJADO5.20	13,5 A 20 poles	1SNA 205 973 R0500
	9 Shield connector		CBM5	th. 0,5 mm	1SNA 178 745 R1400
			CBM8	th. 0,8 mm	1SNA 178 746 R1500
	10 Hand tool kit		OUMAD		1SNA 179 466 R0600
	11 Semi-automatic tool		OUPAD		1SNA 178 944 R0400
	12 Pneumatic tool kit		OUTAD		1SNA 205 710 R1100
	13 Replacement head lit		OUTA		1SNA 205 284 R0300
	14 Extraction tool kit		EXAD2		1SNA 205 721 R0000
	15 Test connector		CEADO.5		1SNA 399 345 R1100
			CEADOE		1SNA 399 341 R1500

End stop		th. 9 mm	BADL	V0	1SNA 399 903 R0200
End stop		th. 10 mm	BAM2	V2	1SNA 206 351 R1600
End stop		th. 10 mm	BAM2 V0	V0	1SNA 399 967 R0100
Rail		35 x 7,5 x 1	PR3.Z2		1SNA 174 300 R1700
Rail		35 x 15 x 2,3	PR4		1SNA 168 500 R1200
Rail		35 x 15 x 1,5	PR5		1SNA 168 700 R2200

Other end stops, rails and accessories : see section on accessories.

Characteristics

Wire size					
		IEC		UL/CSA	
		NFC	DIN		
Screw	Rigid				
	Flexible				
ADO	Rigid	0,2-1 mm ²		24-18 AWG	
	Flexible	0,22-1 mm ²		24-18 AWG	
Voltage					
Rated	1000 V		600 V		
Impulse withstand	8 kV				
Pollution degres	3				
Current					
Rated	13,5 A		7 A		
Wire size					
Rated	1 mm ²		18 AWG		
Wire stripping length (screw)	Recommended (screw)	Weight	Protection		
		5 g	IP 20		
		.18 oz	NEMA 1		

Notes

Standard block 5 mm spacing. For multiple wires connections, the 2 wires need to be of the same gage and nature (rigid or flexible). Terminal block body material is UL 94 V0.



R See section on marking method
RC55 RC510 RTM7
(2) Use of these accessories requires the user to cut out the partition.

Terminal blocks Insulation displacement



ADO - ADO

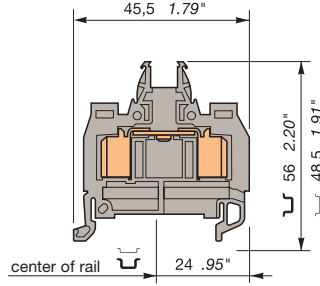
DIN 3

ADO wire size
0,34 - 1,5 mm²
22 - 16 AWG



D 1,5/6... .ADO

Spacing 5 mm +0,05 .200"

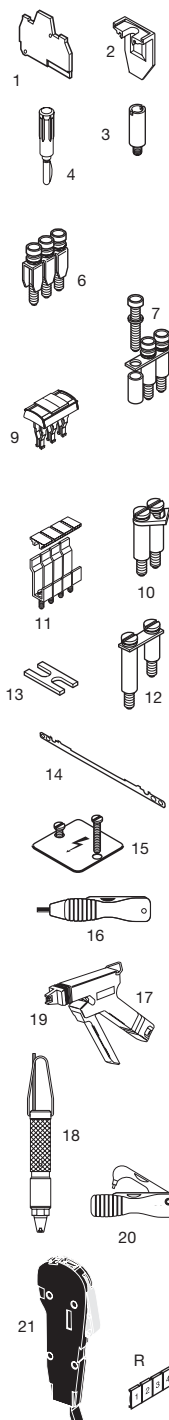


Standard 6 mm block



Colour	Type	Part number
<i>Standard blocks</i>		
Grey	D 1,5/6.ADO	1SNA 199 051 R2600
Orange	D 1,5/6.ADO	1SNA 199 052 R2700
Blue	D 1,5/6.N.ADO	1SNA 199 053 R2000
Black	D 1,5/6.ADO	1SNA 199 083 R1700
Red	D 1,5/6.ADO	1SNA 199 081 R1500
Beige	D 1,5/6.ADO	1SNA 199 082 R1600
Yellow	D 1,5/6.ADO	1SNA 199 080 R2000
Green	D 1,5/6.ADO	1SNA 199 056 R2300

Accessories



	Type	Part number
1 End section	grey yellow	FEMAD3 th. 3 mm 1SNA 199 341 R0500 FEMAD3 th. 3 mm 1SNA 199 343 R0700
2 Circuit separator		SCAD 1SNA 196 896 R0000
3 Test socket		AL2 (1) DIA. 2 mm 1SNA 163 043 R2100 AL3 (1) DIA. 3 mm 1SNA 163 261 R0000
4 Test plug		FC2 DIA. 2 mm 1SNA 007 865 R2600 FC4 DIA. 4 mm 1SNA 167 860 R0100
6 Assembled jumper bar (with IP20 protection)		BJMI6 (1) 32 A 2 poles 1SNA 176 663 R0000 BJMI6 (1) 32 A 3 poles 1SNA 176 664 R0100 BJMI6 (1) 32 A 4 poles 1SNA 176 665 R0200 BJMI6 (1) 32 A 5 poles 1SNA 176 666 R0300 BJMI6 (1) 32 A 10 poles 1SNA 176 667 R0400
7 Jumper bar not assembled Post + washer + captive screw IP20		BJS6 (1) 32 A 20 poles 1SNA 174 784 R2000 EV61 1SNA 206 394 R0200
9 Screwless jumper bar to be inserted into ADO jaw orange IP20		BJADO6.2 17,5 A 2 poles 1SNA 205 974 R0600 BJADO6.3 17,5 A 3 poles 1SNA 205 975 R0700 BJADO6.4 17,5 A 4 poles 1SNA 205 976 R0000 BJADO6.5 17,5 A 5 poles 1SNA 205 977 R0100 BJADO6.10 17,5 A 10 poles 1SNA 205 982 R2700 BJADO6.20 17,5 A 20 poles 1SNA 205 992 R2100
10 Pivoting jumper bar		BJP6 (1) 35 A 1SNA 174 413 R1400
11 Jumper bar for alternated jumping		BJA6 (1)V2 32 A 10 poles 1SNA 116 541 R1200
12 Universal jumper bar		BJDP1 (1) (2) 50 A spac. 6 <-> spac.16 1SNA 179 623 R0300 BJDP3 (1) (2) 70 A spac. 6 <-> spac.12 1SNA 179 625 R0500 BJDP4 (1) (2) 50 A sp. 6 <-> sp. 8 or 10 1SNA 174 781 R2500
13 Connector plate		EL6 35 A 1SNA 173 627 R2100
14 Shield connector		CBM5 th. 0,5 mm 1SNA 178 745 R1400 CBM8 th. 0,8 mm 1SNA 178 746 R1500
15 Protection label Screw for protection label		EP6 V2 4 blocks 1SNA 163 427 R1700 VSP6 V2 1SNA 163 433 R1500
16 Hand tool kit		OUMAD 1SNA 179 466 R0600
17 Semi-automatic tool		OUPAD 1SNA 178 944 R0400
18 Pneumatic tool kit		OUTAD 1SNA 205 710 R1100
19 Replacement head kit		OUTA 1SNA 205 284 R0300
20 Extraction tool kit		EXAD2 1SNA 205 721 R0000
21 Test connector		CEADO.6 1SNA 399 346 R1200 CEADOE 1SNA 399 341 R1500

refer to the section "Special Applications" for part numbers and characteristics.

End stop	th. 9 mm	BADL	V0	1SNA 399 903 R0200
End stop	th. 10 mm	BAM2	V2	1SNA 206 351 R1600
End stop	th. 10 mm	BAM2 V0	V0	1SNA 399 967 R0100
Rail	35 x 7,5 x 1	PR3.22		1SNA 174 300 R1700
Rail	35 x 15 x 2,3	PR4		1SNA 168 500 R1200
Rail	35 x 15 x 1,5	PR5		1SNA 168 700 R2200

Other end stops, rails and accessories : see section on accessories.

Characteristics

Wire size		IEC	UL	CSA
		NFC	DIN	
Screw	Rigid			
	Flexible			
ADO	Rigid	0,34-1,5 mm ²	22-16 AWG	22-16 AWG
	Flexible	0,34-1,5 mm ²	22-16 AWG	22-16 AWG
Voltage				
Rated		1000 V	600 V	600 V
Impulse withstand		8 kV		
Pollution degree		3		
Current				
Rated		17,5 A	18 A	18 A
Wire size				
Rated		1,5 mm ²	16 AWG	16 AWG
Wire stripping length (screw)	Recommended (screw)		Weight	Protection
			6 g	IP 20
			.21 oz	NEMA 1

Notes

Standard block 5 mm spacing. For multiple wires connections, the 2 wires need to be of the same gage and nature (rigid or flexible). Terminal block body material is UL 94 V0.

R See section on markers marking method RC65 RC610 RTM7
(1) SC and 500 V (IEC) rated voltage are required with the use of these accessories.
(2) Use of these accessories requires the user to cut out the partition.

	D 1,5/6.ADO.1	D 1,5/6.ADO.2	D 1,5/6.ADO.4	D 1,5/6.ADO.C	
	Spacing 6 mm +0,05 .238"	Spacing 6 mm +0,05 .238"	Spacing 6 mm +0,05 .238"	Spacing 6 mm +0,05 .238"	
	Grey <input type="checkbox"/> 1SNA 199 055 R2200	Grey <input type="checkbox"/> 1SNA 199 057 R2400	Grey <input type="checkbox"/> 1SNA 199 090 R2200	Grey <input type="checkbox"/> 1SNA 199 085 R1100	
	<i>D 1,5/6.ADO with partition</i>	<i>D 1,5/6.ADO.1 equipped with DIA. 2 mm test socket for test</i>	<i>D 1,5/6.ADO.1 equipped with DIA. 4 mm test socket for test</i>	<i>D 1,5/6.ADO.1 equipped with DIA.2,5 mm flexible test socket for connector - (2)</i>	
Part numbers	Part numbers	Part numbers	Part numbers	Part numbers	Various applications
	1SNA 199 341 R0500	1SNA 199 341 R0500	1SNA 199 341 R0500	1SNA 199 341 R0500	<p>D 1,5/6.ADO.C terminal blocks equipped with DIA. 2,5 mm test socket receive a connector.</p>
	1SNA 163 043 R2100 1SNA 163 261 R0000 1SNA 007 865 R2600	1SNA 007 865 R2600	1SNA 167 860 R0100		
	(3) 1SNA 176 663 R0000 (3) 1SNA 176 664 R0100 (3) 1SNA 176 665 R0200 (3) 1SNA 176 666 R0300 (3) 1SNA 176 667 R0400 (3) 1SNA 174 784 R2000 (3) 1SNA 206 394 R0200				
	1SNA 205 974 R0600 1SNA 205 975 R0700 1SNA 205 976 R0000 1SNA 205 977 R0100 1SNA 205 982 R2700 1SNA 205 992 R2100	1SNA 205 974 R0600 1SNA 205 975 R0700 1SNA 205 976 R0000 1SNA 205 977 R0100 1SNA 205 982 R2700 1SNA 205 992 R2100	1SNA 205 974 R0600 1SNA 205 975 R0700 1SNA 205 976 R0000 1SNA 205 977 R0100 1SNA 205 982 R2700 1SNA 205 992 R2100	1SNA 205 974 R0600 1SNA 205 975 R0700 1SNA 205 976 R0000 1SNA 205 977 R0100 1SNA 205 982 R2700 1SNA 205 992 R2100	
	(3) 1SNA 174 413 R1400 (3) 1SNA 116 541 R1200 (2)(3) 1SNA 179 623 R0300 (2)(3) 1SNA 179 625 R0500 (2)(3) 1SNA 174 781 R2500 (3) 1SNA 173 627 R2100				
	1SNA 178 745 R1400 1SNA 178 746 R1500 1SNA 163 427 R1700 1SNA 163 433 R1500	1SNA 178 745 R1400 1SNA 178 746 R1500	1SNA 178 745 R1400 1SNA 178 746 R1500	1SNA 178 745 R1400 1SNA 178 746 R1500	
	1SNA 179 466 R0600 1SNA 178 944 R0400 1SNA 205 710 R1100 1SNA 205 284 R0300 1SNA 205 721 R0000 1SNA 399 346 R1200 1SNA 399 341 R1500	1SNA 179 466 R0600 1SNA 178 944 R0400 1SNA 205 710 R1100 1SNA 205 284 R0300 1SNA 205 721 R0000 1SNA 399 346 R1200 1SNA 399 341 R1500	1SNA 179 466 R0600 1SNA 178 944 R0400 1SNA 205 710 R1100 1SNA 205 284 R0300 1SNA 205 721 R0000 1SNA 399 346 R1200 1SNA 399 341 R1500	1SNA 179 466 R0600 1SNA 178 944 R0400 1SNA 205 710 R1100 1SNA 205 284 R0300 1SNA 205 721 R0000 1SNA 399 346 R1200 1SNA 399 341 R1500	
	RC65 RC610 RTM7	RC65 RC610 RTM7	RC65 RC610 RTM7	RC65 RC610 RTM7	
		Rated voltage : 800 V (IEC)	Rated voltage : 800 V (IEC)		

(2) See column : "Various applications".
 (3) Use of these accessories requires the user to cut out the partition.

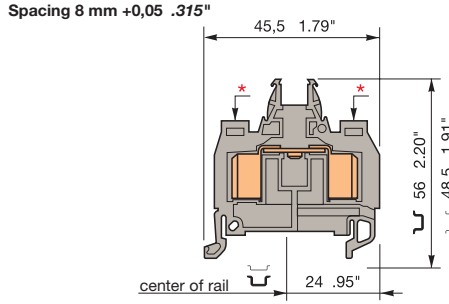
Terminal blocks Insulation displacement

ADO - ADO
DIN 3

ADO wire size
1 - 2,5 mm²
16 - 14 AWG



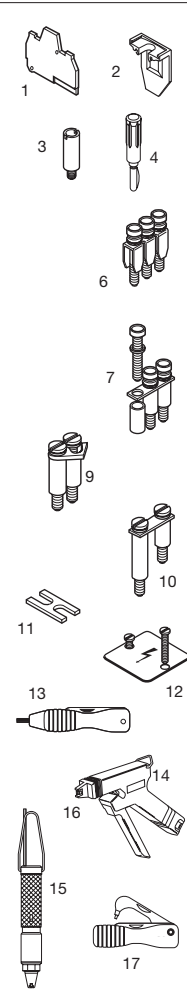
D 2,5/8... ADO



Standard 8 mm block



Accessories



- 1 End section grey
- 2 Circuit separator grey
- 3 Test socket
- 4 Test plug
- 6 Assembled jumper bar (with IP20 protection)
- 7 Jumper bar not assembled Post + washer + captive screw IP20
- 9 Pivoting jumper bar
- 10 Universal jumper bar
- 11 Connector plate
- 12 Protecting label
- 13 Hand tool kit
- 14 Semi automatic tool
- 15 Pneumatic tool kit
- 16 Replacement head kit
- 17 Extraction head kit

Colour	Type	Part Number
<i>Standard blocks</i>		
Grey	D 2,5/8.ADO	1SNA 199 059 R0600
Orange	D 2,5/8.ADO	1SNA 199 060 R0300
Blue	D 2,5/8.N.ADO	1SNA 199 061 R2000
Black	D 2,5/8.ADO	1SNA 199 089 R2500
Red	D 2,5/8.ADO	1SNA 199 087 R1300
Ivory	D 2,5/8.ADO	1SNA 199 088 R2400
Yellow	D 2,5/8.ADO	1SNA 199 092 R1000
Green	D 2,5/8.ADO	1SNA 199 148 R0400

Ex refer to the section "Special Applications" for part numbers and characteristics.

End stop		th. 9 mm	BADL	V0	1SNA 399 903 R0200
End stop		th. 10 mm	BAM2	V2	1SNA 206 351 R1600
End stop		th. 10 mm	BAM2 V0	V0	1SNA 399 967 R0100
Rail		35 x 7,5 x 1	PR3.Z2		1SNA 174 300 R1700
Rail		35 x 15 x 2,3	PR4		1SNA 168 500 R1200
Rail		35 x 15 x 1,5	PR5		1SNA 168 700 R2200

Other end stops, rails and accessories : see section on accessories.

Characteristics

Wire size		IEC	UL	CSA
		NFC	DIN	
Screw	Rigid			
	Flexible			
ADO	Rigid	1-2,5 mm ²	16-14 AWG	16-14 AWG
	Flexible	1-2,5 mm ²	16-14 AWG	16-14 AWG
Voltage				
Rated		1000 V	600 V	600 V
Impulse withstand		8 kV		
Pollution degree		3		
Current				
Rated		24 A	25 A	25 A
Wire size				
Rated		2,5 mm ²	16 AWG	16 AWG
Wire stripping length (screw)	Recommended (screw)		Weight	Protection
			9 g	IP 20
			.32 oz	NEMA 1

Notes

Standard block 8 mm spacing. For multiple wires connections, the 2 wires need to be of the same gage and nature (rigid or flexible). Terminal block body material is UL 94 V0.

* Black marking for wire size 1 - 2,5 mm² (16 - 14 AWG)



R See section on markers marking method

RTM7 RC810 25 RCAL85

- (1) SC and 500 V (IEC) rated voltage required with these accessories.
- (2) See column : "Various applications".

Terminal blocks Insulation displacement



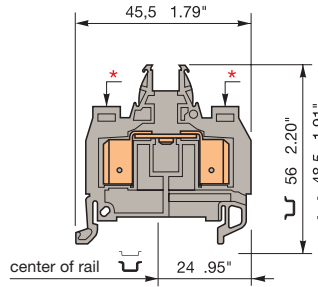
ADO - ADO
DIN 3

ADO wire size
4 mm²
12 AWG



D 4/8.ADO

Spacing 8 mm +0,05 .315"



Standard 8 mm block



Colour	Type	Part number
--------	------	-------------

Standard blocks

Grey	<input type="checkbox"/> D 4/8.ADO	1SNA 399 244 R1400
Blue	<input type="checkbox"/> D 4/8.N.ADO	1SNA 399 318 R1600
Orange	<input type="checkbox"/> D 4/8.ADO	1SNA 399 801 R0400

Accessories

Accessories	Type	Part numbers
1 End section	grey	FEMAD3
2 Circuit separator	grey	SCAD
3 Test socket		AL2 (1) DIA. 2 mm AL3 (1) DIA. 3 mm AL4 (1) DIA. 4 mm
4 Test plug		FC2 (3) DIA. 2 mm FC4 (3) DIA. 4 mm
6 Assembled jumper bar (with IP20 protection)		BJM8 (1) 41 A 2 poles 1SNA 176 669 R1600 BJM8 (1) 41 A 3 poles 1SNA 176 670 R1300 BJM8 (1) 41 A 4 poles 1SNA 176 671 R0000 BJM8 (1) 41 A 5 poles 1SNA 176 672 R0100 BJM8 (1) 41 A 10 poles 1SNA 176 673 R0200
7 Jumper bar not assembled Post + washer + captive screw IP20		BJS8 41 A 20 poles 1SNA 174 789 R0500 EV61 1SNA 206 394 R0200
9 Pivoting jumper bar		BJP8 (1)(4) 50 A 1SNA 174 448 R0700
10 Universal jumper bar		BJDP1 (1)(2) 50 A spacing 8->spacing 16 1SNA 179 623 R0300 BJDP3 (1)(2) 70 A spacing 8->spacing 12 1SNA 179 625 R0500 BJDP5 (1)(2) 50 A spacing 8->spacing 10 1SNA 174 782 R2600
11 Connector plate		EL6 (4) 35 A 1SNA 173 627 R2100
12 Protection label		EP6 3 blocks 1SNA 163 427 R1700 EP8 4 blocks 1SNA 163 428 R2000 VSP6 1SNA 163 433 R1500
13 Hand tool kit		OUMAD 1SNA 179 466 R0600
14 Semi-automatic tool		OUPAD 1SNA 178 944 R0400
15 Replacement head kit		OUTA 1SNA 205 284 R0300
16 Extraction tool kit		EXAD2 1SNA 205 721 R0000

refer to the section "Special Applications" for part numbers and characteristics.

End stop	th. 9 mm	BADL	V0	1SNA 399 903 R0200
End stop	th. 10 mm	BAM2	V2	1SNA 206 351 R1600
End stop	th. 10 mm	BAM2 V0	V0	1SNA 399 967 R0100
Rail	35 x 7,5 x 1	PR3.Z2		1SNA 174 300 R1700
Rail	35 x 15 x 2,3	PR4		1SNA 168 500 R1200
Rail	35 x 15 x 1,5	PR5		1SNA 168 700 R2200

Other end stops, rails and accessories : see section on accessories.

Characteristics

Wire size		IEC		UL/CSA	
		NFC	DIN		
Screw	Rigid				
	Flexible				
ADO	Rigid	4 mm ²		12 AWG	
	Flexible	4 mm ²		12 AWG	
Voltage					
Rated		1000 V		600 V	
Impulse withstand		8 kV			
Pollution degree		3			
Current					
Rated		32 A		25 A	
Wire size					
Rated		4 mm ²		12 AWG	
Wire stripping length (screw)	Recommended (screw)		Weight	Protection	
			9 g	IP 20	
			.32 oz	NEMA 1	

Notes

Standard 8 mm block for connection of only one rigid or flexible 4 mm² wire.

* White marking for wire size 4 mm² (12 AWG)



R See section on markers marking method

(2) BJDP1 is used for the interconnection with terminal block series "M" : spacing 16 mm. BJDP3 is used for the interconnection with terminal block series "M" : spacing 12 mm. BJDP5 is used for the interconnection with terminal block series "M" : spacing 10 mm.

RTM7 RC 810 RCAL85

(1) A circuit separator SC and 500 V (IEC) rated voltage are required with these accessories. (3) Forbidden under explosive atmosphere EEX usage. (4) Only certified for "i" security.

Terminal blocks Insulation displacement



Double deck
ADO - ADO

DIN 3
ADO wire size
0,22 - 1 mm²
24 - 18 AWG



End stop		th. 12 mm	BADH	V2	1SNA 116 900 R2700
End stop		th. 9,1 mm	BAMH	V2	1SNA 114 836 R0000
End stop		th. 9,1 mm	BAMH V0	V0	1SNA 194 836 R0100
Rail		35 x 7,5 x 1	PR3.Z2		1SNA 174 300 R1700
Rail		35 x 15 x 2,3	PR4		1SNA 168 500 R1200
Rail		35 x 15 x 1,5	PR5		1SNA 168 700 R2200

Other end stops, rails and accessories : see section on accessories.

Characteristics

Wire size

		IEC		UL	CSA
		NFC	DIN		
Screw	Rigid				
	Flexible				
ADO	Rigid	0,2-1 mm ²		24-18 AWG	24-18 AWG
	Flexible	0,22-1 mm ²		24-18 AWG	24-18 AWG

Voltage

Rated	630 V		
Impulse withstand	8 kV		
Pollution degree	3		

Current

Rated	13,5 A		
-------	--------	--	--

Wire size

Rated		1 mm ²	18 AWG	18 AWG
Wire stripping length (screw)	Recommended (screw)		Weight	Protection
			15 g	IP 20
			.53 oz	NEMA 1

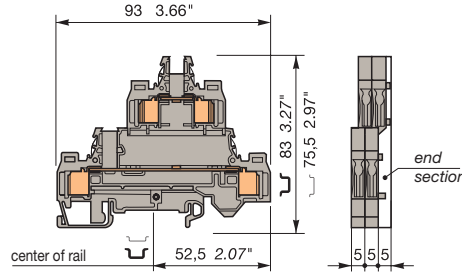
Notes

For multiple wires connections the wires need to be of the **same gage and nature** (rigid or flexible).
Terminal block body material UL 94 V0.

Some accessories can decrease the block's voltage rating. Consult us for more information.

D 1/5.D2.ADO

Spacing 5 mm + 0,05 (.200")



Standard 5 mm block

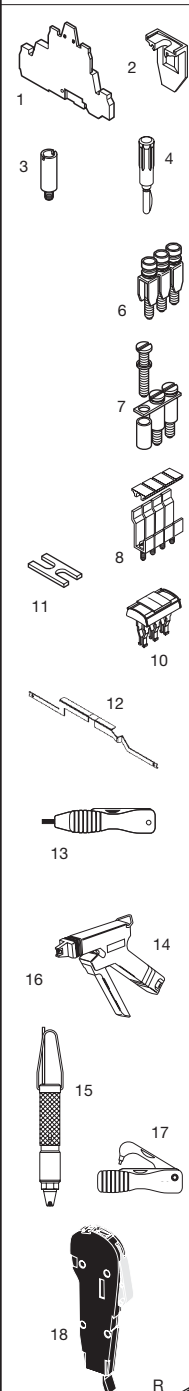
Color	Type	Part numbers
-------	------	--------------

Standard blocks

Grey	D 1/5.D2.ADO	1SNA 399 896 R2300
Blue	D 1/5.D2.N.ADO	1SNA 399 897 R2400



Accessories



- 1 End section grey
- 2 Circuit separator
- 3 Test socket
- 4 Test plug
- 6 Assembled jumper bar (with IP20 protection)
- 7 Jumper bar not assembled Post + screw + washer
- 8 Jumper bar for alternated jumping
- 10 Screwless jumper bar to be inserted into ADO jaw orange IP20
- 11 Connector plate
- 12 Shield connector
- 13 Hand tool kit
- 14 Semi-automatic tool
- 15 Pneumatic tool kit
- 16 Replacement head kit
- 17 Extraction head kit
- 18 Test connector

Type Part numbers

FED2AD2	V0		1SNA 199 476 R2500
SCAD5	V0		1SNA 199 551 R2000
AL2		DIA. 2 mm	1SNA 163 046 R2400
FC2		DIA. 2 mm	1SNA 007 865 R2600
BJMI5 (1)	24 A	2 poles	1SNA 176 278 R1600
BJMI5 (1)	24 A	3 poles	1SNA 176 279 R1700
BJMI5 (1)	24 A	4 poles	1SNA 176 280 R0500
BJMI5 (1)	24 A	5 poles	1SNA 176 281 R2200
BJMI5 (1)	24 A	10 poles	1SNA 176 282 R2300
BJS5 (1)	24 A	20 poles	1SNA 177 652 R0600
EV5			1SNA 168 629 R1600
BJA5	24 A	10 poles	1SNA 205 021 R2600
BJADO5.2	13,5 A	2 poles	1SNA 205 955 R0300
BJADO5.3	13,5 A	3 poles	1SNA 205 956 R0400
BJADO5.4	13,5 A	4 poles	1SNA 205 957 R0500
BJADO5.5	13,5 A	5 poles	1SNA 205 958 R1600
BJADO5.10	13,5 A	10 poles	1SNA 205 963 R0300
BJADO5.20	13,5 A	20 poles	1SNA 205 973 R0500
EL6			1SNA 173 627 R2100
CBD2S			1SNA 178 408 R1400
OUMAD			1SNA 179 466 R0600
OUPAD			1SNA 178 944 R0400
OUTAD			1SNA 205 710 R1100
OUTA			1SNA 205 284 R0300
EXAD2			1SNA 205 721 R0000
CEADO.5			1SNA 399 345 R1100
CEADOE			1SNA 399 341 R1500

R See section on markers marking method

RC55 RC510 RTM7

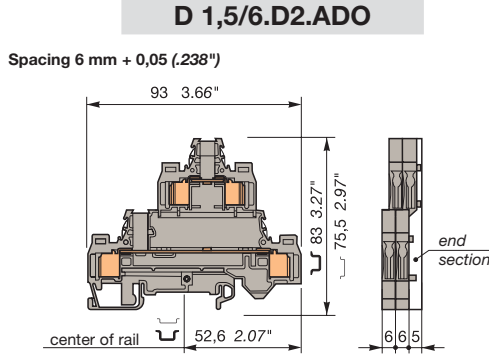
(1) SCAD5 is required with these accessories

Terminal blocks Insulation displacement



Double deck
ADO - ADO

DIN 3
ADO wire size
0,34 - 1,5 mm²
22 - 16 AWG



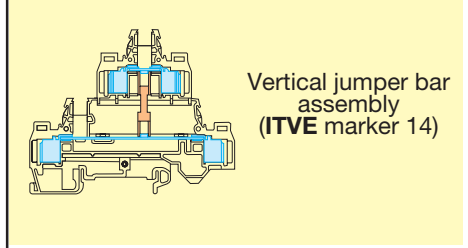
Standard 6 mm block



Color	Type	Part numbers
-------	------	--------------

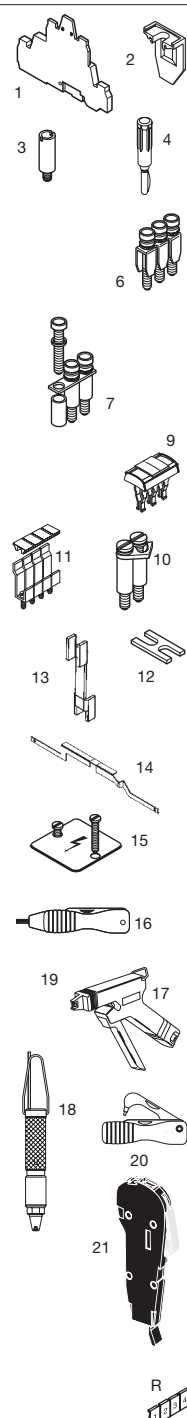
Standard blocks

Grey	<input type="checkbox"/> D 1,5/6.D2.ADO	1SNA 199 480 R2600
Blue	<input type="checkbox"/> D 1,5/6.D2.N.ADO	1SNA 199 482 R1400
Orange	<input type="checkbox"/> D 1,5/6.D2.ADO	1SNA 199 481 R1300



Vertical jumper bar assembly (ITVE marker 14)

Accessories



- End section grey
- Circuit separator
- Test socket
- Test plug
- Assembled jumper bar (with IP20 protection)
- Jumper bar not assembled Post + washer + captive screw IP20
- Screwless jumper bar to be inserted into ADO jaw orange IP20
- Pivoting jumper bar
- Jumper bar for alterned jumping
- Connector plate
- Vertical jumper bar
- Shield connector
- Protection label Screw for protection label
- Hand tool kit
- Semi-automatic tool
- Pneumatic tool kit
- Replacement head kit
- Extraction head kit
- Test connector

Type Part numbers

FED2AD2 V0	th. 5,0 mm	1SNA 199 476 R2500
SCAD V0		1SNA 196 896 R0000
AL2 (1)	DIA. 2,0 mm	1SNA 163 043 R2100
AL3 (1)	DIA. 3,0 mm	1SNA 163 261 R0000
FC2	DIA. 2,0 mm	1SNA 007 865 R2600
BJMI6 32 A	2 poles	1SNA 176 663 R0000
BJMI6 32 A	3 poles	1SNA 176 664 R0100
BJMI6 32 A	4 poles	1SNA 176 665 R0200
BJMI6 32 A	5 poles	1SNA 176 666 R0300
BJMI6 32 A	10 poles	1SNA 176 667 R0400
BJS6 32 A	20 poles	1SNA 174 784 R2000
EV6I		1SNA 206 394 R0200
BJADO6.2 17,5 A	2 poles	1SNA 205 974 R0600
BJADO6.3 17,5 A	3 poles	1SNA 205 975 R0700
BJADO6.4 17,5 A	4 poles	1SNA 205 976 R0000
BJADO6.5 17,5 A	5 poles	1SNA 205 977 R0100
BJADO6.10 17,5 A	10 poles	1SNA 205 982 R2700
BJADO6.20 17,5 A	20 poles	1SNA 205 992 R2100
BJP6 35 A		1SNA 174 413 R1400
BJA6 32 A	10 poles	1SNA 116 541 R1200
EL6 35 A		1SNA 173 627 R2100
ITVE		1SNA 179 694 R0300
CBD2S		1SNA 178 408 R1400
EP6	4 blocks	1SNA 163 427 R1700
VSP6		1SNA 163 433 R1500
OUMAD		1SNA 179 466 R0600
OUPAD		1SNA 178 944 R0400
OUTAD		1SNA 205 710 R1100
OUTA		1SNA 205 284 R0300
EXAD2		1SNA 205 721 R0000
CEADO.6		1SNA 399 346 R1200
CEADOE		1SNA 399 341 R1500

refer to the section "Special Applications" for part numbers and characteristics.

End stop	th. 12 mm	BADH	V2	1SNA 116 900 R2700
End stop	th. 9,1 mm	BAMH	V2	1SNA 114 836 R0000
End stop	th. 9,1 mm	BAMH V0	V0	1SNA 194 836 R0100
Rail	35 x 7,5 x 1	PR3.Z2		1SNA 174 300 R1700
Rail	35 x 15 x 2,3	PR4		1SNA 168 500 R1200
Rail	35 x 15 x 1,5	PR5		1SNA 168 700 R2200

Other end stops, rails and accessories : see section on accessories.

Characteristics

Wire size		IEC	UL	CSA
		NFC DIN		
Screw	Rigid			
	Flexible			
ADO	Rigid	0,28-1,5 mm ²	22-16 AWG	22-16 AWG
	Flexible	0,34-1,5 mm ²	22-16 AWG	22-16 AWG
Voltage				
Rated		800 V	300 V	300 V
Impulse withstand		6 kV		
Pollution degree		3		
Current				
Rated		17,5 A	18 A	18 A
Wire size				
Rated		1,5 mm ²	16 AWG	16 AWG
Wire stripping length (screw)	Recommended (screw)		Weight	Protection
			18 g	IP 20
			.63 oz	NEMA 1

Notes

For multiple wires connections the wires need to be of the same gage and nature (rigid or flexible). Terminal block body material UL 94 V0.

Some accessories can decrease the block's voltage rating. Consult us for more information.

R See section on markers marking method

RC65 RC610 RTM7

Notes : (1) A circuit separator SC and 500V (IEC) rated voltage are required with these accessories.

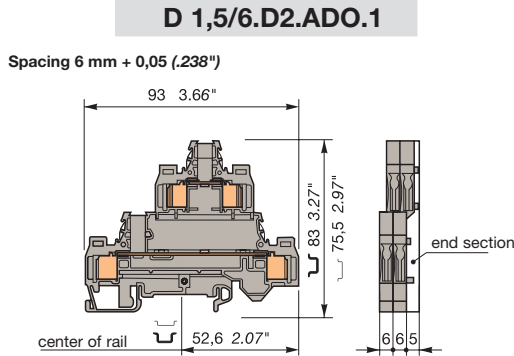
Terminal blocks Insulation displacement



Double deck
ADO - ADO

DIN 3

ADO wire size
0,34 - 1,5 mm²
22 - 16 AWG

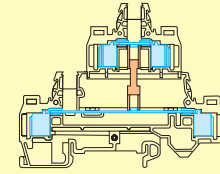


D 1,5/6.D2.ADO with partition

Color Type Part numbers

Standard blocks

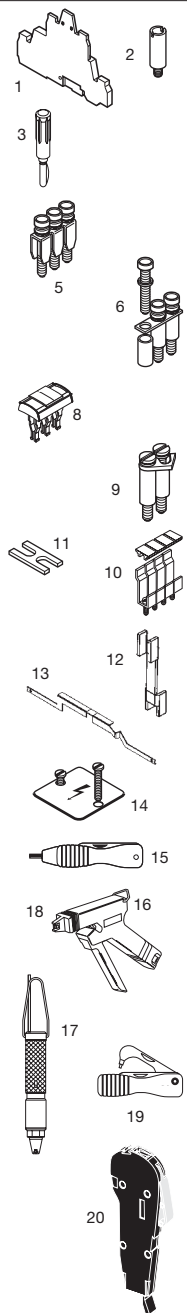
Grey D 1,5/6.D2.ADO.1 1SNA 199 494 R1000



Vertical jumper bar assembly
(ITVE marker 14)



Accessories



- 1 End section grey
- 2 Test socket
- 3 Test plug
- 5 Assembled jumper bar (with IP20 protection)
- 6 Jumper bar not assembled Post + washer + captive screw IP20
- 8 Screwless jumper bar to be inserted into ADO jaw orange IP20
- 9 Pivoting jumper bar
- 10 Jumper bar for altered jumping
- 11 Connector plate
- 12 Vertical jumper bar
- 13 Shield connector
- 14 Protection label Screw for protection label
- 15 Hand tool kit
- 16 Semi-automatic tool
- 17 Pneumatic tool kit
- 18 Replacement head kit
- 19 Extraction tool kit
- 20 Test connector

Type Part numbers

Type	Part numbers
FED2AD2 V0 th. 5,0 mm	1SNA 199 476 R2500
AL2 DIA. 2,0 mm	1SNA 163 043 R2100
AL3 DIA. 3,0 mm	1SNA 163 261 R0000
FC2 DIA. 2,0 mm	1SNA 007 865 R2600
BJMI6 32 A 2 poles	1SNA 176 663 R0000
BJMI6 32 A 3 poles	1SNA 176 664 R0100
BJMI6 32 A 4 poles	1SNA 176 665 R0200
BJMI6 32 A 5 poles	1SNA 176 666 R0300
BJMI6 32 A 10 poles	1SNA 176 667 R0400
BJS6 32 A 20 poles	1SNA 174 784 R2000
EV6I	1SNA 206 394 R0200
BJADO6.2 17,5 A 2 poles	1SNA 205 974 R0600
BJADO6.3 17,5 A 3 poles	1SNA 205 975 R0700
BJADO6.4 17,5 A 4 poles	1SNA 205 976 R0000
BJADO6.5 17,5 A 5 poles	1SNA 205 977 R0100
BJADO6.10 17,5 A 10 poles	1SNA 205 982 R2700
BJADO6.20 17,5 A 20 poles	1SNA 205 992 R2100
BJP6 35 A	1SNA 174 413 R1400
BJA6 32 A 10 poles	1SNA 116 541 R1200
EL6 35 A	1SNA 173 627 R2100
ITVE	1SNA 179 694 R0300
CBD2S	1SNA 178 408 R1400
EP6 4 blocks	1SNA 163 427 R1700
VSP6	1SNA 163 433 R1500
OUMAD	1SNA 179 466 R0600
OUPAD	1SNA 178 944 R0400
OUTAD	1SNA 205 710 R1100
OUTA	1SNA 205 284 R0300
EXAD2	1SNA 205 721 R0000
CEADO.6	1SNA 399 346 R1200
CEADOE	1SNA 399 341 R1500

End stop	th. 12 mm	BADH	V2	1SNA 116 900 R2700
End stop	th. 9,1 mm	BAMH	V2	1SNA 114 836 R0000
End stop	th. 9,1 mm	BAMH V0	V0	1SNA 194 836 R0100
Rail	35 x 7,5 x 1	PR3.Z2		1SNA 174 300 R1700
Rail	35 x 15 x 2,3	PR4		1SNA 168 500 R1200
Rail	35 x 15 x 1,5	PR5		1SNA 168 700 R2200

Other end stops, rails and accessories : see section on accessories.

Characteristics

Wire size

		IEC		UL	CSA
		NFC	DIN		
Screw	Rigid				
	Flexible				
ADO	Rigid	0,28-1,5 mm ²		22-16 AWG	22-16 AWG
	Flexible	0,34-1,5 mm ²		22-16 AWG	22-16 AWG

Voltage

Rated	800 V	300 V	300 V
Impulse withstand	6 kV		
Pollution degree	3		

Current

Rated	17,5 A	18 A	18 A
-------	--------	------	------

Wire size

Rated		1,5 mm ²	16 AWG	16 AWG
Wire stripping length (screw)	Recommended (screw)		Weight	Protection
			18 g	IP 20
			.63 oz	NEMA 1

Notes

For multiple wires connections the wires need to be of the same gage and nature (rigid or flexible). Terminal block body material UL 94 V0.

Some accessories can decrease the block's voltage rating. Consult us for more information.

R See section on markers marking method

(1) Use of this accessories requires the user to cut out the partition.