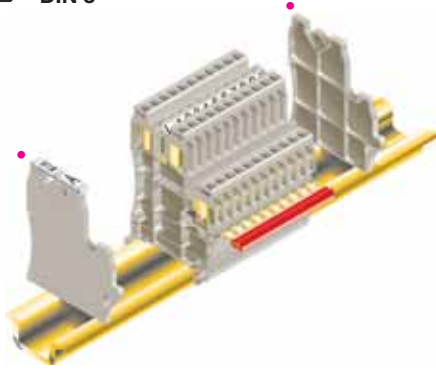


Terminal blocks Insulation displacement for sensors/actuators

DIN 3



To obtain finger safety (IP20) of a terminal block assembly with comb type jumper bar, it is necessary to put one end section on each side of the terminal block assembly.

End stop		th. 9 mm	BADL	V0	1SNA 399 903 R0200
End stop		th. 10 mm	BAM2	V2	1SNA 206 351 R1600
End stop		th. 10 mm	BAM2 V0	V0	1SNA 399 967 R0100
Rail		35 x 7,5 x 1	PR3.Z2		1SNA 174 300 R1700
Rail		35 x 15 x 2,3	PR4		1SNA 168 500 R1200
Rail		35 x 15 x 1,5	PR5		1SNA 168 700 R2200

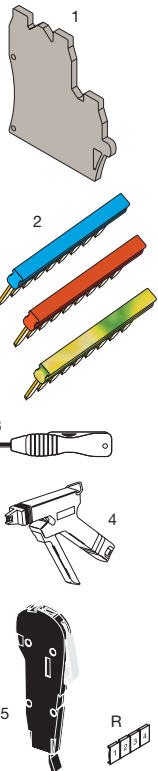
Other end stops, rails and accessories : see section on accessories.

Notes

For multiple wires connections, on the upper deck only, the wires need to be of the same gage and nature (rigid or flexible). Terminal block body material UL 94 V0.

- * End section kit includes :
- 1 right end section
 - 1 left end section
 - 1 marker-holder

Accessories

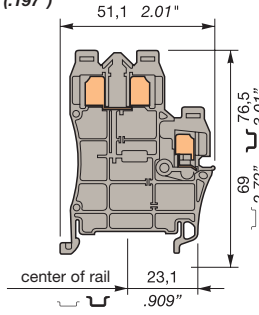


- End section grey
- Comb type jumper bar
- Hand tool kit
- Semi-automatic tool
- Test connector

R See section on markers marking method

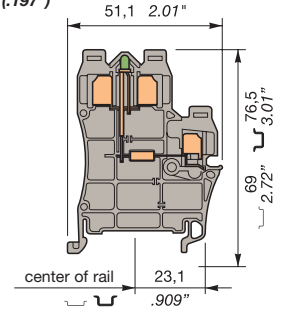
D 1/5.C2.ADO

Spacing 5 mm (.197")



D 1/5.C2.ADO.L

Spacing 5 mm (.197")



Block for sensor/actuators with bidirectional LED 24V=

Color	Type	Part numbers	Color	Type	Part numbers
Grey	D1/5.C2.ADO	1SNA 399 686 R0000	Grey - Green Led D1/5.C2.ADO.L	1SNA 399 687 R0100	
			Grey - Red Led D1/5.C2.ADO.L	1SNA 399 688 R1200	

Characteristics

Wire size

	IEC	UL	CSA
	NFC DIN		
Rigid	0,2-1 mm ²		
Flexible	0,22-1 mm ²		

Voltage

Rated	250 V		
Impulse withstand	8 KV		
Pollution degree	3		

Current

Rated	13,5 A		
-------	--------	--	--

Wire size

Rated / Gauge	1 mm ²		
Wire strip. length	Recomm. Screwdriver	Recomm. torque	Protection
			IP20 ● NEMA 1

Characteristics

Wire size

	IEC	UL	CSA
	NFC DIN		
Rigid	0,2-1 mm ²		
Flexible	0,22-1 mm ²		

Voltage

Rated	250 V		
Impulse withstand	8 KV		
Pollution degree	3		

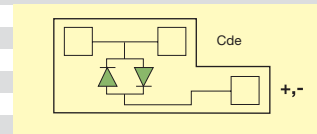
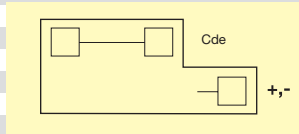
Current

Rated	13,5 A		
-------	--------	--	--

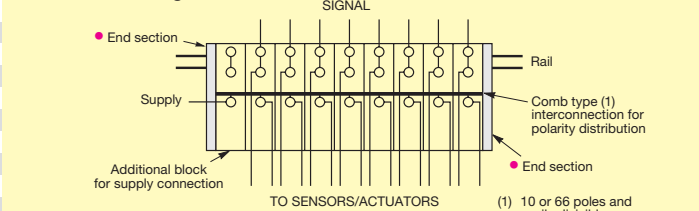
Wire size

Rated / Gauge	1 mm ²		
Wire strip. length	Recomm. Screwdriver	Recomm. torque	Protection
			IP20 ● NEMA 1

Type	Part numbers	Type	Part numbers
FED5.C2.ADO end section kit *	1SNA 399 677 R1600	FED5.C2.ADO end section kit *	1SNA 399 677 R1600
PC52.10 Blue 10 poles	1SNA 399 684 R0600	PC52.10 Blue 10 poles	1SNA 399 684 R0600
PC52.10 Red 10 poles	1SNA 399 683 R0500	PC52.10 Red 10 poles	1SNA 399 683 R0500
PC52.10 Green/Yellow 10 poles	1SNA 399 685 R0700	PC52.10 Green/Yellow 10 poles	1SNA 399 685 R0700
PC52.66 Red 66 poles	1SNA 399 707 R1500	PC52.66 Red 66 poles	1SNA 399 707 R1500
PC52.66 Blue 66 poles	1SNA 399 708 R2600	PC52.66 Blue 66 poles	1SNA 399 708 R2600
PC52.66 Green/Yellow 66 poles	1SNA 399 709 R2700	PC52.66 Green/Yellow 66 poles	1SNA 399 709 R2700
OUMAD	1SNA 179 466 R0600	OUMAD	1SNA 179 466 R0600
OUPAD	1SNA 178 944 R0400	OUPAD	1SNA 178 944 R0400
CEADO.5	1SNA 399 345 R1100	CEADO.5	1SNA 399 345 R1100
CEADOE	1SNA 399 341 R1500	CEADOE	1SNA 399 341 R1500



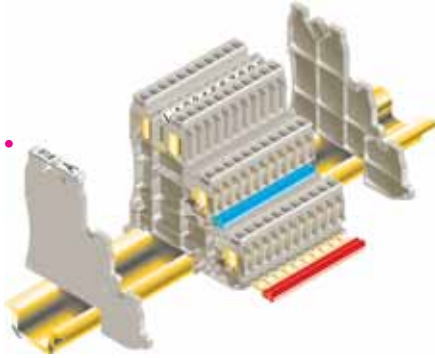
Example for 8 connection wiring



RC55 RC510 (for marker-holder)

Terminal blocks Insulation displacement for sensors/actuators

DIN 3



• To obtain finger safety (IP20) of a terminal block assembly with comb type jumper bar, it is necessary to put one end section on each side of the terminal block assembly.

End stop		th. 9 mm	BADL	V0	1SNA 399 903 R0200
End stop		th. 10 mm	BAM2	V2	1SNA 206 351 R1600
End stop		th. 10 mm	BAM2 V0	V0	1SNA 399 967 R0100
Rail		35 x 7,5 x 1	PR3.Z2		1SNA 174 300 R1700
Rail		35 x 15 x 2,3	PR4		1SNA 168 500 R1200
Rail		35 x 15 x 1,5	PR5		1SNA 168 700 R2200

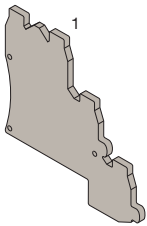
Other end stops, rails and accessories : see section on accessories.

Notes

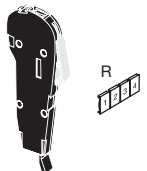
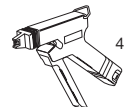
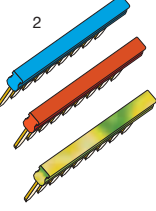
For multiple wires connections, on the upper deck only, the wires need to be of the same gage and nature (rigid or flexible). Terminal block body material UL 94 V0.

- * End section kit includes :
- 1 right end section
 - 1 left end section
 - 1 marker-holder

Accessories

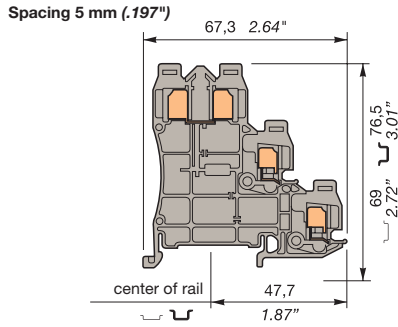


- 1 End section grey
- 2 Comb type jumper bar
- 3 Hand tool kit
- 4 Semi-automatic tool
- 5 Test connector

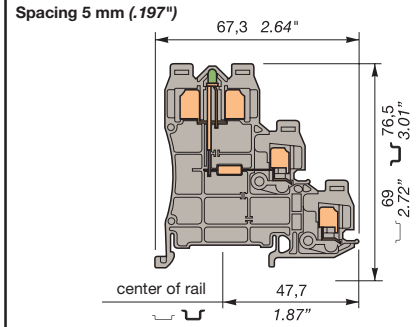


R See section on markers marking method

D 1/5.C3.ADO



D 1/5.C3.ADO.L



Block for sensors/actuators with bidirectional LED 24V=

Color	Type	Part numbers	Color	Type	Part numbers
Grey	D1/5.C3.ADO	1SNA 399 689 R1300	Grey - Green Led	D1/5.C3.ADO.L	1SNA 399 690 R1000
			Grey - Red Led	D1/5.C3.ADO.L	1SNA 399 691 R0500

Characteristics

Wire size	IEC			UL	CSA
	NFC DIN				
Rigid	0,2-1 mm ²				
Flexible	0,22-1 mm ²				

Voltage	
Rated	250 V
Impulse withstand	8 KV
Pollution degree	3

Current	
Rated	13,5 A

Wire size			
Rated / Gauge	1 mm ²		
Wire strip. length	Recomm. Screwdriver	Recomm. torque	Protection
			IP20 • NEMA 1

Characteristics

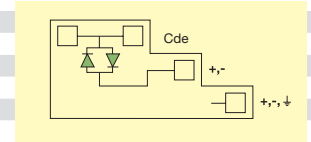
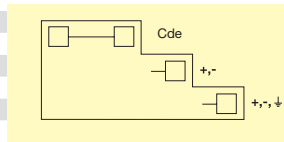
Wire size	IEC			UL	CSA
	NFC DIN				
Rigid	0,2-1 mm ²				
Flexible	0,22-1 mm ²				

Voltage	
Rated	250 V
Impulse withstand	8 KV
Pollution degree	3

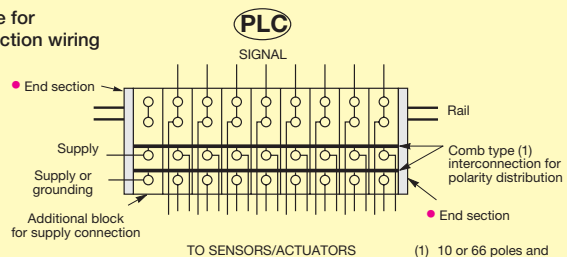
Current	
Rated	13,5 A

Wire size			
Rated / Gauge	1 mm ²		
Wire strip. length	Recomm. Screwdriver	Recomm. torque	Protection
			IP20 • NEMA 1

Type	Part numbers	Type	Part numbers
FED5.C3.ADO end section kit *	1SNA 399 678 R2700	FED5.C3.ADO end section kit *	1SNA 399 678 R2700
PC52.10 Blue 10 poles	1SNA 399 684 R0600	PC52.10 Blue 10 poles	1SNA 399 684 R0600
PC52.10 Red 10 poles	1SNA 399 683 R0500	PC52.10 Red 10 poles	1SNA 399 683 R0500
PC52.10 Green/Yellow 10 poles	1SNA 399 685 R0700	PC52.10 Green/Yellow 10 poles	1SNA 399 685 R0700
PC52.66 Red 66 poles	1SNA 399 707 R1500	PC52.66 Red 66 poles	1SNA 399 707 R1500
PC52.66 Blue 66 poles	1SNA 399 708 R2600	PC52.66 Blue 66 poles	1SNA 399 708 R2600
PC52.66 Green/Yellow 66 poles	1SNA 399 709 R2700	PC52.66 Green/Yellow 66 poles	1SNA 399 709 R2700
OUMAD	1SNA 179 466 R0600	OUMAD	1SNA 179 466 R0600
OUPAD	1SNA 178 944 R0400	OUPAD	1SNA 178 944 R0400
CEADO.5	1SNA 399 345 R1100	CEADO.5	1SNA 399 345 R1100
CEADOE	1SNA 399 341 R1500	CEADOE	1SNA 399 341 R1500



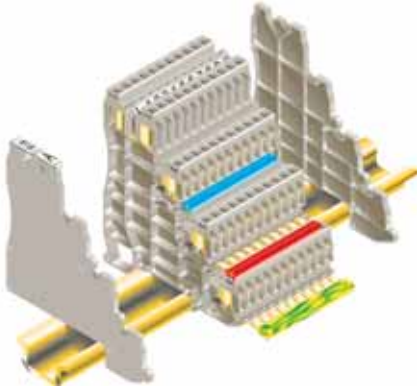
Example for 8 connection wiring



RC55 RC510 (for marker-holder)

Terminal blocks Insulation displacement for sensors/actuators

DIN 3



To obtain finger safety (IP20) of a terminal block assembly with comb type jumper bar, it is necessary to put one end section on each side of the terminal block assembly.

End stop		th. 9 mm	BADL	V0	1SNA 399 903 R0200
End stop		th. 10 mm	BAM2	V2	1SNA 206 351 R1600
End stop		th. 10 mm	BAM2 V0	V0	1SNA 399 967 R0100
Rail		35 x 7,5 x 1	PR3.Z2		1SNA 174 300 R1700
Rail		35 x 15 x 2,3	PR4		1SNA 168 500 R1200
Rail		35 x 15 x 1,5	PR5		1SNA 168 700 R2200

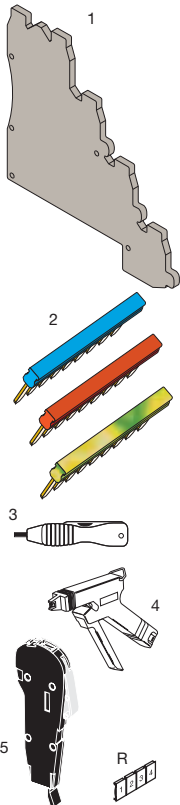
Other end stops, rails and accessories : see section on accessories.

Notes

For multiple wires connections, on the upper deck only, the wires need to be of the same gage and nature (rigid or flexible). Terminal block body material UL 94 V0.

- * End section kit includes :
- 1 right end section
 - 1 left end section
 - 1 marker-holder

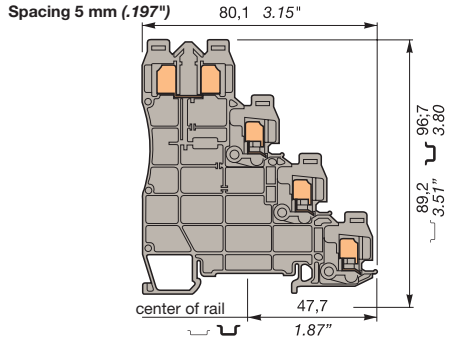
Accessories



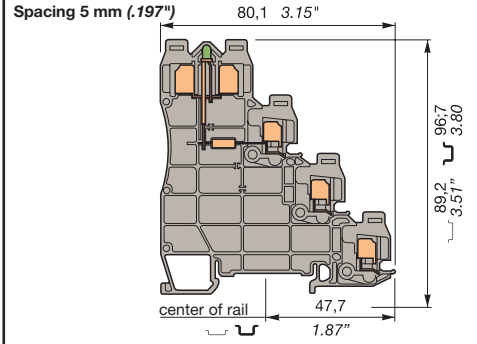
- End section grey
- Comb type jumper bar
- Hand tool kit
- Semi-automatic tool
- Test connector

R See section on markers marking method

D 1/5.C4.ADO



D 1/5.C4.ADO.L



Block for sensors/actuators with bidirectional LED 24V=

Color	Type	Part numbers	Color	Type	Part numbers
Grey	D1/5.C4.ADO	1SNA 399 692 R0600	Grey - Green Led	D1/5.C4.ADO.L	1SNA 399 693 R0700
			Grey - Red Led	D1/5.C4.ADO.L	1SNA 399 694 R0000

Characteristics

Wire size	IEC			UL	CSA
	NFC DIN				
Rigid	0,2-1 mm ²				
Flexible	0,22-1 mm ²				

Voltage	
Rated	250 V
Impulse withstand	8 KV
Pollution degree	3

Current	
Rated	13,5 A

Wire size			
Rated / Gauge	1 mm ²		
Wire strip. length	Recomm. Screwdriver	Recomm. torque	Protection
			IP20 • NEMA 1

Characteristics

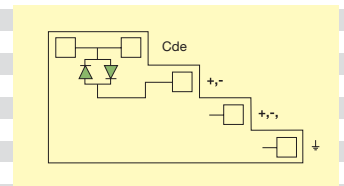
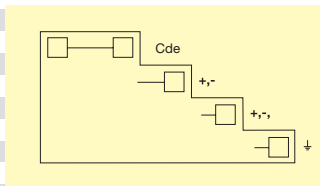
Wire size	IEC			UL	CSA
	NFC DIN				
Rigid	0,2-1 mm ²				
Flexible	0,22-1 mm ²				

Voltage	
Rated	250 V
Impulse withstand	8 KV
Pollution degree	3

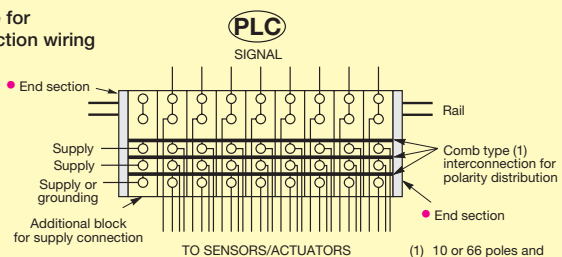
Current	
Rated	13,5 A

Wire size			
Rated / Gauge	1 mm ²		
Wire strip. length	Recomm. Screwdriver	Recomm. torque	Protection
			IP20 • NEMA 1

Type	Part numbers	Type	Part numbers
FED5.C4.ADO end section kit *	1SNA 399 679 R2000	FED5.C4.ADO end section kit *	1SNA 399 679 R2000
PC52.10 Blue 10 poles	1SNA 399 684 R0600	PC52.10 Blue 10 poles	1SNA 399 684 R0600
PC52.10 Red 10 poles	1SNA 399 683 R0500	PC52.10 Red 10 poles	1SNA 399 683 R0500
PC52.10 Green/Yellow 10 poles	1SNA 399 685 R0700	PC52.10 Green/Yellow 10 poles	1SNA 399 685 R0700
PC52.66 Red 66 poles	1SNA 399 707 R1500	PC52.66 Red 66 poles	1SNA 399 707 R1500
PC52.66 Blue 66 poles	1SNA 399 708 R2600	PC52.66 Blue 66 poles	1SNA 399 708 R2600
PC52.66 Green/Yellow 66 poles	1SNA 399 709 R2700	PC52.66 Green/Yellow 66 poles	1SNA 399 709 R2700
OUMAD	1SNA 179 466 R0600	OUMAD	1SNA 179 466 R0600
OUPAD	1SNA 178 944 R0400	OUPAD	1SNA 178 944 R0400
CEADO.5	1SNA 399 345 R1100	CEADO.5	1SNA 399 345 R1100
CEADOE	1SNA 399 341 R1500	CEADOE	1SNA 399 341 R1500



Example for 8 connection wiring



RC55 RC510 (for marker-holder)