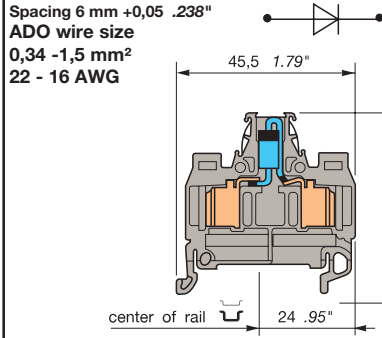


Terminal blocks

Component holder
ADO - ADO
DIN 3

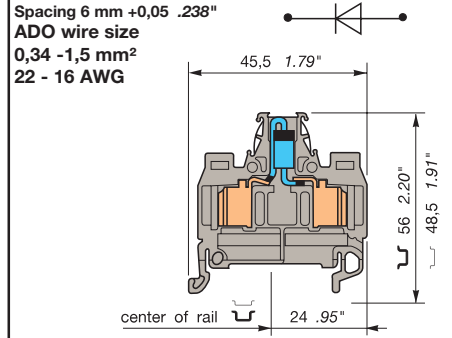


D 1,5/6.ADO.D1



Block equipped with one 1N5408 diode

D 1,5/6.ADO.D2



Block equipped with one 1N5408 diode

--	--	--	--	--	--

Color	Type	Part number	Color	Type	Part number
Grey	D 1,5/6.ADO.D1	1SNA 199 248 R1000	Grey	D 1,5/6.ADO.D2	1SNA 199 249 R1100

Characteristics

Wire size		IEC		UL	CSA
		NFC	DIN		
Screw	Rigid				
	Flexible				
ADO	Rigid	0,34 - 1,5 mm²		22-16 AWG	22-16 AWG
	Flexible	0,34 - 1,5 mm²		22-16 AWG	22-16 AWG

Voltage		Current	
Rated	80 V	Rated	1 A
Impulse withstand		Impulse withstand	
Pollution degree		Pollution degree	

Wire size		Weight		Protection	
Rated / Gauge	1,5 mm²	16 AWG	16 AWG		
Wire strip. length		7 g		IP 20	
		.25 oz		NEMA 1	

Characteristics

Wire size		IEC		UL	CSA
		NFC	DIN		
Screw	Rigid				
	Flexible				
ADO	Rigid	0,34 - 1,5 mm²		22-16 AWG	22-16 AWG
	Flexible	0,34 - 1,5 mm²		22-16 AWG	22-16 AWG

Voltage		Current	
Rated	80 V	Rated	1 A
Impulse withstand		Impulse withstand	
Pollution degree		Pollution degree	

Wire size		Weight		Protection	
Rated/gauge	1,5 mm²	16 AWG	16 AWG		
Wire strip. length		7 g		IP 20	
		.25 oz		NEMA 1	

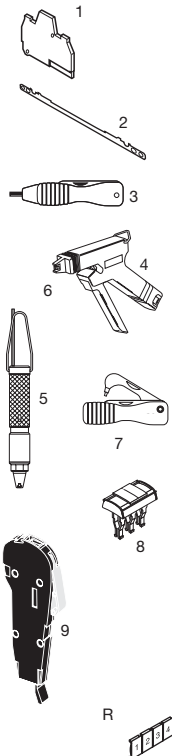
End stop		th. 9 mm	BADL	V0	1SNA 399 903 R0200
End stop		th. 10 mm	BAM2	V2	1SNA 206 351 R1600
End stop		th. 10 mm	BAM2 V0	V0	1SNA 399 967 R0100
Rail		35 x 7,5 x 1	PR3.Z2		1SNA 174 300 R1700
Rail		35 x 15 x 2,3	PR4		1SNA 168 500 R1200
Rail		35 x 15 x 1,5	PR5		1SNA 168 700 R2200

Other end stops, rails and accessories : see section on accessories.

Notes

Standard bloc 6 mm. For multiple wire connections, the two wires need to be of the **same gage and nature** (rigid or flexible). Terminal block body material is UL 94 V0.

Accessories



1	End section	grey
2	Shielding connector	
3	Hand tool kit	
4	Semi automatic tool	
5	Pneumatic tool kit	
6	Replacement head kit	
7	Extraction tool kit	
8	Screwless jumper bar to be inserted into ADO jaw orange IP20	
9	Test connector	
R	See section on markers	
	Marking method	

Type	Part numbers	
FEMAD3	th. 3,0 mm	1SNA 199 341 R0500
CBM5	th. 0,5 mm	1SNA 178 745 R1400
CBM8	th. 0,8 mm	1SNA 178 746 R1500
OUMAD		1SNA 179 466 R0600
OUPAD		1SNA 178 944 R0400
OUTAD		1SNA 205 710 R1100
OUTA		1SNA 205 284 R0300
EXAD2		1SNA 205 721 R0000
BJADO6.2	17,5 A 2 poles	1SNA 205 974 R0600
BJADO6.3	17,5 A 3 poles	1SNA 205 975 R0700
BJADO6.4	17,5 A 4 poles	1SNA 205 976 R0000
BJADO6.5	17,5 A 5 poles	1SNA 205 977 R0100
BJADO6.10	17,5 A 10 poles	1SNA 205 982 R2700
BJADO6.20	17,5 A 20 poles	1SNA 205 992 R2100
CEADO.6		1SNA 399 346 R1200
CEADOE		1SNA 399 341 R1500

Type	Part numbers	
FEMAD3	th. 3,0 mm	1SNA 199 341 R0500
CBM5	th. 0,5 mm	1SNA 178 745 R1400
CBM8	th. 0,8 mm	1SNA 178 746 R1500
OUMAD		1SNA 179 466 R0600
OUPAD		1SNA 178 944 R0400
OUTAD		1SNA 205 710 R1100
OUTA		1SNA 205 284 R0300
EXAD2		1SNA 205 721 R0000
BJADO6.2	17,5 A 2 poles	1SNA 205 974 R0600
BJADO6.3	17,5 A 3 poles	1SNA 205 975 R0700
BJADO6.4	17,5 A 4 poles	1SNA 205 976 R0000
BJADO6.5	17,5 A 5 poles	1SNA 205 977 R0100
BJADO6.10	17,5 A 10 poles	1SNA 205 982 R2700
BJADO6.20	17,5 A 20 poles	1SNA 205 992 R2100
CEADO.6		1SNA 399 346 R1200
CEADOE		1SNA 399 341 R1500

RC610	RC65
-------	------

RC610	RC65
-------	------