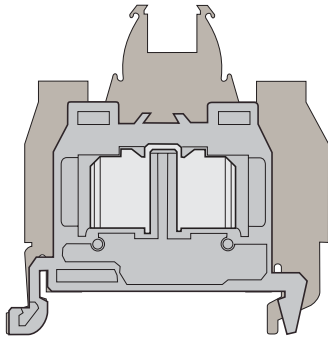
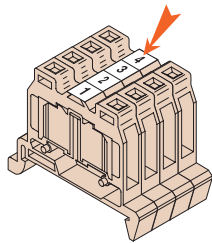


ADO System® MINI BLOCKS

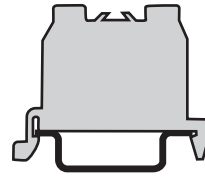
A reduced size range



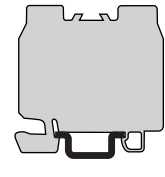
A very legible marking



Numerous mounting options
DIN Rail

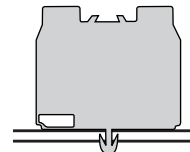


DS=DIN3

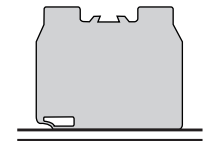


DR=DIN2

Plate



DH = snap-in

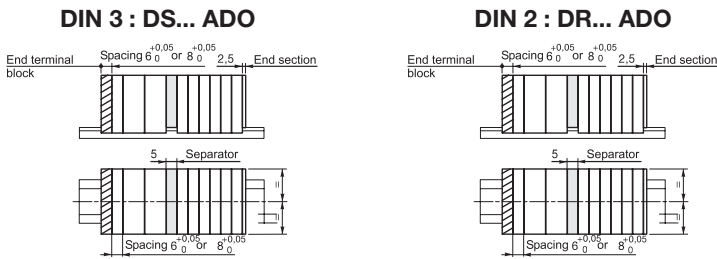


DB = base mount

ADO mini blocks use the same marking technique as standard ENTRELEC terminals, located on the top of the block.

MINI BLOCKS ASSEMBLY AND ACCESSORIES

Rail mounted DIN 2 and DIN 3 :



At the end of the terminal blocks assembly :

- **End section :** (same accessory for any type of terminal block assembly)

FEAD1 : V/ADO
FEAD2 : ADO/ADO
End section to be mounted directly on the open part of the terminal block.

- **End terminal block :**

DRE... ADO (DIN2)
DSE... ADO (DIN3)
This terminal block has to be mounted at the end of the terminal blocks assembly : it reduces its size, because it suppresses the insulation rib (- 4 mm).

Nota : This terminal block cannot be accidentally located anywhere else into the terminal block assembly (without locking holes).

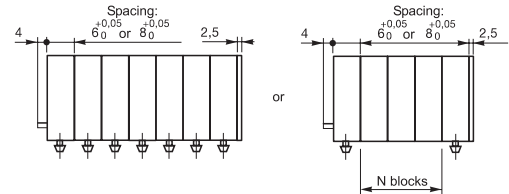
In the terminal blocks assembly :

- **Separator :** (same accessory for any type of terminal block assembly)

FEAD5 : V/ADO
FEAD6 : ADO/ADO
Accessory which snaps on the terminal blocks, separates and makes visible the different parts of the terminal blocks assembly.

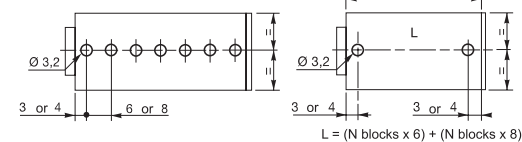
Panel mounted with snap in mounting foot :

Snap in : DH... ADO

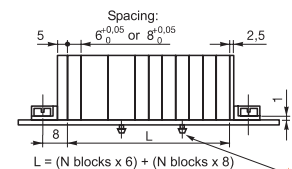


Drilling
(plate thickness 0.6 mm to 1.2 mm)

N blocks = 3 blocks max. with 6 mm spacing
2 blocks max. with 8 mm spacing



With screw mounting kit : DB... ADO



Drilling
(plate thickness 0.6 to 1.2 mm)

2 holes Ø 3.2
for 3 mm screw max.
with cylindrical head
(not provided)

Intermediate mounting of DH blocks
every 2 blocks (spacing 8mm)
or 3 blocks (spacing 6mm)

Miniblocks Insulation Displacement

ADO - ADO

DIN 3



refer to the section "Special Applications" for part numbers and characteristics.

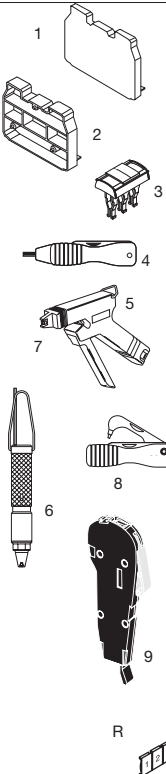
End stop		th. 9 mm	BADL	V0	1SNA 399 903 R0200
Rail		35 x 7,5 x 1	PR3.Z2		1SNA 174 300 R1700
Rail		35 x 15 x 2,3	PR4		1SNA 168 500 R1200
Rail		35 x 15 x 1,5	PR5		1SNA 168 700 R2200

Other end stops, rails and accessories : see section on accessories.

Notes

Standard blocks 5 and 6 mm. For multiple wires connections, the two wires need to be of the same gage and nature (rigid or flexible). Terminal block body material is UL 94 V0.

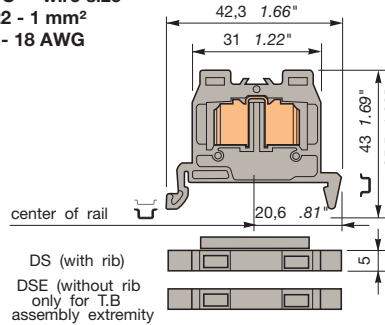
Accessories



1	End section	grey	FEAD2	V0	th. 2,5 mm	1SNA 199 423 R1000
		orange	FEAD2	V0	th. 2,5 mm	1SNA 199 424 R1100
2	Separator	grey	FEAD6	V0	th. 5,0 mm	1SNA 199 435 R1400
		orange	FEAD6	V0	th. 5,0 mm	1SNA 199 436 R1500
3	Screwless jumper bar to be inserted into ADO jaw	orange IP20	BJADO5.2	17,5 A	2 poles	1SNA 205 955 R0300
			BJADO5.3	17,5 A	3 poles	1SNA 205 956 R0400
			BJADO5.4	17,5 A	4 poles	1SNA 205 957 R0500
			BJADO5.5	17,5 A	5 poles	1SNA 205 958 R1600
			BJADO5.10	17,5 A	10 poles	1SNA 205 963 R0300
			BJADO5.20	17,5 A	20 poles	1SNA 205 973 R0500
4	Hand tool kit		OUMAD			1SNA 179 466 R0600
5	Semi automatic tool		OUPAD			1SNA 178 944 R0400
6	Pneumatic tool kit		OUTAD			1SNA 205 710 R1100
7	Replacement head kit		OUTA			1SNA 205 284 R0300
8	Extraction tool kit		EXAD2			1SNA 205 721 R0000
9	Test connector		CEADO.5			1SNA 399 345 R1100
			CEADOE			1SNA 399 341 R1500
R	See section on markers marking method					

DS 1/5.ADO

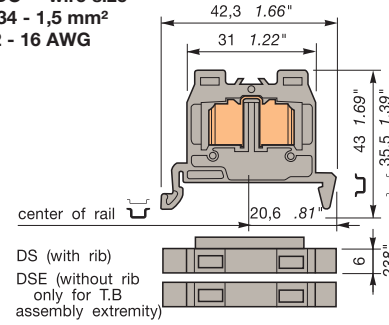
Spacing 5 mm +0,05 .198"
ADO wire size
0,22 - 1 mm²
24 - 18 AWG



Color	Type	Part number
Grey	DS 1/5.ADO	1SNA 399 496 R2200
Blue	DS 1/5.N.ADO	1SNA 399 498 R0400
Orange	DS 1/5.ADO	1SNA 399 497 R2300
Grey	DSE 1/5.ADO	1SNA 399 500 R1200

DS 1,5/6.ADO

Spacing 6 mm +0,05 .238"
ADO wire size
0,34 - 1,5 mm²
22 - 16 AWG



Color	Type	Part number
Grey	DS 1,5/6.ADO	1SNA 299 497 R2700
Blue	DS 1,5/6.N.ADO	1SNA 299 499 R0100
Orange	DS 1,5/6.ADO	1SNA 299 498 R0000
Grey	DSE 1,5/6.ADO	1SNA 299 558 R1300

Characteristics

Wire size	IEC		UL/CSA
	NFC	DIN	
Rigid			
Flexible			
ADO	Rigid	0,2-1 mm ²	24-18 AWG
	Flexible	0,22-1 mm ²	24-18 AWG

Voltage		
Rated	1000 V	600 V
Impulse withstand	8 kV	
Pollution degree	3	

Current		
Rated	13,5 A	10 A

Wire size			
Rated / Gauge	1 mm ²	18 AWG	
Wire strip. length	Recomm. screwdriver	Weight	Protection
		3 g	IP 20
		.10 oz	NEMA 1

Characteristics

Wire size	IEC		UL/CSA
	NFC	DIN	
Rigid			
Flexible			
ADO	Rigid	0,28-1,5 mm ²	22-16 AWG
	Flexible	0,34-1,5 mm ²	22-16 AWG

Voltage		
Rated	1000 V	600 V
Impulse withstand		
Pollution degree	3	

Current		
Rated	17,5 A	20 A

Wire size			
Rated / Gauge	1,5 mm ²	16 AWG	
Wire strip. length	Recomm. screwdriver	Weight	Protection
		5 g	IP 20
		.18 oz	NEMA 1

Type	Part number
FEAD2 V0 th. 2,5 mm	1SNA 199 423 R1000
FEAD2 V0 th. 2,5 mm	1SNA 199 424 R1100
FEAD6 V0 th. 5,0 mm	1SNA 199 435 R1400
FEAD6 V0 th. 5,0 mm	1SNA 199 436 R1500
BJADO5.2 17,5 A 2 poles	1SNA 205 955 R0300
BJADO5.3 17,5 A 3 poles	1SNA 205 956 R0400
BJADO5.4 17,5 A 4 poles	1SNA 205 957 R0500
BJADO5.5 17,5 A 5 poles	1SNA 205 958 R1600
BJADO5.10 17,5 A 10 poles	1SNA 205 963 R0300
BJADO5.20 17,5 A 20 poles	1SNA 205 973 R0500
OUMAD	1SNA 179 466 R0600
OUPAD	1SNA 178 944 R0400
OUTAD	1SNA 205 710 R1100
OUTA	1SNA 205 284 R0300
EXAD2	1SNA 205 721 R0000
CEADO.5	1SNA 399 345 R1100
CEADOE	1SNA 399 341 R1500

Type	Part number
FEAD2 V0 th. 2,5 mm	1SNA 199 423 R1000
FEAD2 V0 th. 2,5 mm	1SNA 199 424 R1100
FEAD6 V0 th. 5,0 mm	1SNA 199 435 R1400
FEAD6 V0 th. 5,0 mm	1SNA 199 436 R1500
BJADO6.2 17,5 A 2 poles	1SNA 205 974 R0600
BJADO6.3 17,5 A 3 poles	1SNA 205 975 R0700
BJADO6.4 17,5 A 4 poles	1SNA 205 976 R0000
BJADO6.5 17,5 A 5 poles	1SNA 205 977 R0100
BJADO6.10 17,5 A 10 poles	1SNA 205 982 R2700
BJADO6.20 17,5 A 20 poles	1SNA 205 992 R2100
OUMAD	1SNA 179 466 R0600
OUPAD	1SNA 178 944 R0400
OUTAD	1SNA 205 710 R1100
OUTA	1SNA 205 284 R0300
EXAD2	1SNA 205 721 R0000
CEADO.6	1SNA 399 346 R1200
CEADOE	1SNA 399 341 R1500

On top RC55

On top RC65

Miniblocks Insulation Displacement

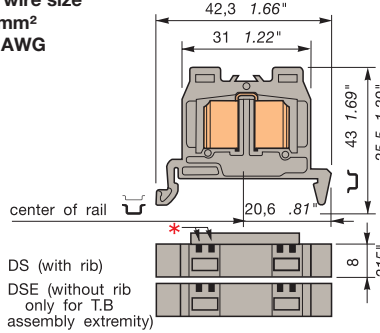
ADO - ADO

DIN 3



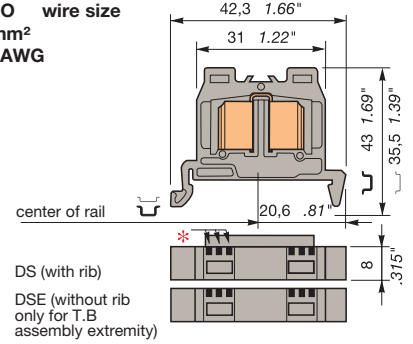
DS 2,5/8.ADO

Spacing 8 mm +0,05 .315"
ADO wire size
1 - 2,5 mm²
16 - 14 AWG



DS 4/8.ADO3

Spacing 8 mm +0,05 .238"
ADO wire size
4 mm²
12 AWG



Color	Type	Part number
Grey	<input type="checkbox"/> DS 2,5/8.ADO	1SNA 299 501 R0300
Blue	<input type="checkbox"/> DS 2,5/8.N.ADO	1SNA 299 503 R0500
Orange	<input type="checkbox"/> DS 2,5/8.ADO	1SNA 299 502 R0400
Grey	<input type="checkbox"/> DSE 2,5/8.ADO	1SNA 299 559 R1400

Color	Type	Part number
Grey	<input type="checkbox"/> DS 4/8.ADO3	1SNA 399 411 R2400
Blue	<input type="checkbox"/> DS 4/8.N.ADO3	1SNA 399 413 R2600
Orange	<input type="checkbox"/> DS 4/8.ADO3	1SNA 399 412 R2500
Grey	<input type="checkbox"/> DSE 4/8.ADO3	1SNA 399 415 R2000

Characteristics

Wire size	IEC		UL/CSA
	NFC	DIN	
Rigid			
Flexible			
ADO	Rigid	1-2,5 mm ²	16-14 AWG
	Flexible	1-2,5 mm ²	16-14 AWG

Characteristics

Wire size	IEC		UL/CSA
	NFC	DIN	
Rigid			
Flexible			
ADO	Rigid	4 mm ²	12 AWG
	Flexible	4 mm ²	12 AWG

Voltage

Rated	1000 V	600 V
Impulse withstand		
Pollution degree	3	

Voltage

Rated	1000 V	
Impulse withstand		
Pollution degree	3	

Current

Rated	24 A	25 A
-------	------	------

Current

Rated	32 A	
-------	------	--

Wire size

Rated / Gauge	2,5 mm ²		14 AWG	
Wire strip. length	Recomm. screwdriver	Weight	Protection	
		7 g	IP 20	
		.25 oz	NEMA 1	

Wire size

Rated / Gauge	4 mm ²		12 AWG	
Wire strip. length	Recomm. screwdriver	Weight	Protection	
		7 g	IP 20	
		.25 oz	NEMA 1	

Accessories

Type	Part number			
FEAD2 V0 th. 2,5 mm	1SNA	199 423	R1000	
FEAD2 V0 th. 2,5 mm	1SNA	199 424	R1100	
FEAD6 V0 th. 5,0 mm	1SNA	199 435	R1400	
FEAD6 V0 th. 5,0 mm	1SNA	199 436	R1500	
OUMAD	1SNA	179 466	R0600	
OUPAD	1SNA	178 944	R0400	
OUTAD	1SNA	205 710	R1100	
OUTA	1SNA	205 284	R0300	
EXAD2	1SNA	205 721	R0000	

Type	Part number			
FEAD2 V0 th. 2,5 mm	1SNA	199 423	R1000	
FEAD2 V0 th. 2,5 mm	1SNA	199 424	R1100	
FEAD6 V0 th. 5,0 mm	1SNA	199 435	R1400	
FEAD6 V0 th. 5,0 mm	1SNA	199 436	R1500	
OUMAD	1SNA	179 466	R0600	
OUPAD	1SNA	178 944	R0400	
OUTAD	1SNA	205 710	R1100	
OUTA	1SNA	205 284	R0300	
EXAD2	1SNA	205 721	R0000	

On top	RCAL85
--------	--------

On top	RCAL85
--------	--------

End stop		th. 9 mm	BADL	V0	1SNA 399 903 R0200
Rail		35 x 7,5 x 1	PR3.Z2		1SNA 174 300 R1700
Rail		35 x 15 x 2,3	PR4		1SNA 168 500 R1200
Rail		35 x 15 x 1,5	PR5		1SNA 168 700 R2200

Other end stops, rails and accessories : see section on accessories.

Notes

Terminal block body material is UL 94 V0.

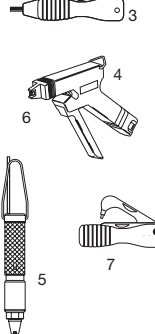
DS 2,5/8.ADO block : for multiple wire connections, the two wires need to be of the **same gage and nature** (rigid or flexible).

DS 4/8.ADO3 block : connection of only one rigid or flexible 4 mm² wire.

* Notches to identify 8 mm spacing.

Accessories

1	End section	grey
		orange
2	Separator	grey
		orange
3	Hand tool kit	
4	Semi automatic tool	
5	Pneumatic tool kit	
6	Replacement head kit	
7	Extraction tool kit	



R

R See section on markers marking method

**Miniblocks
Insulation Displacement
ADO - ADO**
ground terminal blocks not electrically connected to the mounting rail
DIN 3



Other accessories of this terminal blocks : see pages of same size standard blocks.
* Notches to identify 8 mm spacing.

Characteristics

Wire size	Rigid	0,2-1 mm ²	24-18 AWG
	Flexible	0,22-1 mm ²	24-18 AWG
Rated current short-circuit	120 A / 1 s.		
Rated wire size nominal / gauge	1 mm ² / 18 AWG		
Other characteristics	Wire strip. length	Recomm. screwdriver	Weight
			Protection

3 g IP20
.11 oz NEMA 1

Approvals

CE, UL, IEC, DIN, UL/CSA

Accessories

1 End section grey orange
R See section on markers mode

**Miniblocks
Insulation Displacement
ADO - ADO**
ground terminal blocks not electrically connected to the mounting rail
DIN 3

Other accessories of this terminal blocks : see pages of same size standard blocks.
* Notches to identify 8 mm spacing.

Characteristics

Wire size	Rigid	4 mm ²	12 AWG
	Flexible	4 mm ²	12 AWG
Rated current short-circuit	480 A / 1 s.		
Rated wire size nominal / gauge	4 mm ² / 12 AWG		
Other characteristics	Wire strip. length	Recomm. screwdriver	Weight
			Protection

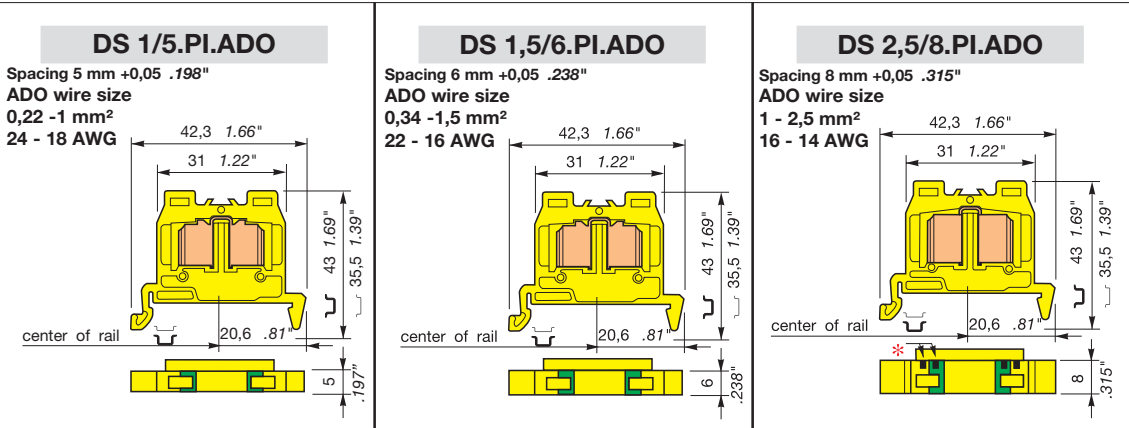
7 g IP20
.25 oz NEMA 1

Approvals

CE, UL, IEC, DIN, UL/CSA

Accessories

1 End section grey orange
R See section on markers mode



Type	P/N	Type	P/N	Type	P/N
------	-----	------	-----	------	-----

Yellow body / green marking
 ■ DS 1/5.PI.ADO 1SNA 399 499 R0500
 ■ DS 1,5/6.PI.ADO 1SNA 299 500 R1600
 ■ DS 2,5/8.PI.ADO 1SNA 299 504 R0600

NFC		IEC		DIN		UL/CSA	
Wire size	Rigid	0,28-1,5 mm ²	22-16 AWG	0,28-1,5 mm ²	22-16 AWG	1-2,5 mm ²	16-14 AWG
Rated current short-circuit	180 A / 1 s.						
Rated wire size nominal / gauge	1,5 mm ² / 16 AWG						
Other characteristics	Wire strip. length	Recomm. screwdriver	Weight	Protection	Wire strip. length	Recomm. screwdriver	Weight
			5 g	IP20			7 g

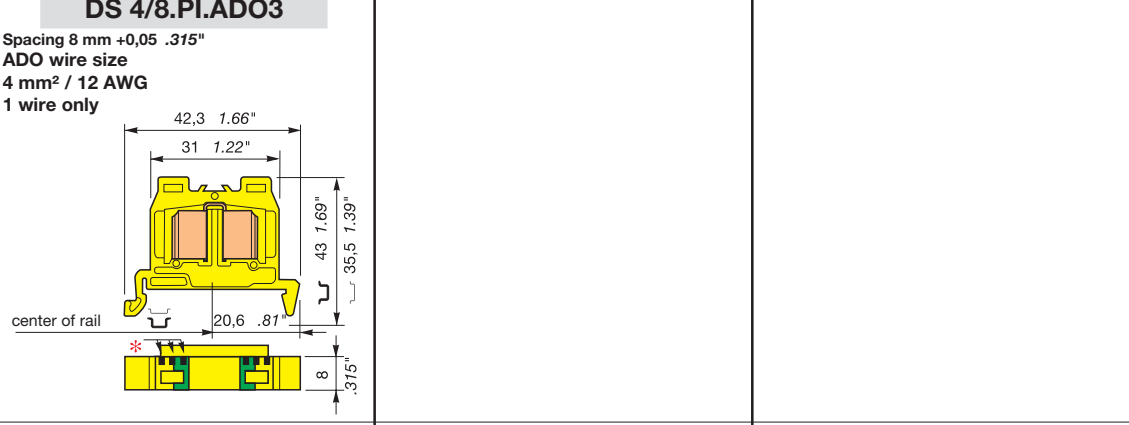
5 g IP20
.18 oz NEMA 1

Approvals

CE, UL, IEC, DIN, UL/CSA

Accessories

1 End section grey orange
R See section on markers mode



Type	P/N	Type	P/N	Type	P/N
------	-----	------	-----	------	-----

Yellow body / green marking
 ■ DS 4/8.PI.ADO3 1SNA 399 414 R2700

NFC		IEC		DIN		UL/CSA	
Wire size	Rigid	4 mm ²	12 AWG	4 mm ²	12 AWG		
Rated current short-circuit	480 A / 1 s.						
Rated wire size nominal / gauge	4 mm ² / 12 AWG						
Other characteristics	Wire strip. length	Recomm. screwdriver	Weight	Protection	Wire strip. length	Recomm. screwdriver	Weight
			7 g	IP20			7 g

7 g IP20
.25 oz NEMA 1

Approvals

CE, UL, IEC, DIN, UL/CSA

Accessories

1 End section grey orange
R See section on markers mode

Miniblocks Insulation Displacement

ADO - ADO

DIN 2



refer to the section "Special Applications" for part numbers and characteristics.

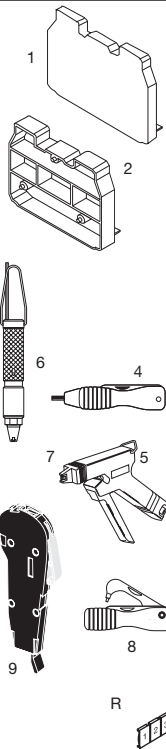
End stop	th. 6,5 mm	BADRL	V0	1SNA 199 420 R2100
Rail	15 x 5 x 1	PR2		1SNA 164 600 R1200

Other end stops, rails and accessories : see section on accessories.

Observations

Standard blocks 5 and 6 mm. For multiple wires connections, the two wires need to be of the **same gage and nature** (rigid or flexible). Terminal block body material is UL 94 V0.

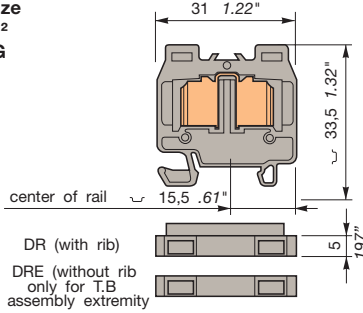
Accessories



1 End section	grey	FEAD2	V0	th. 2,5 mm	1SNA 199 423 R1000
	orange	FEAD2	V0	th. 2,5 mm	1SNA 199 424 R1100
2 Separator	grey	FEAD6	V0	th. 5,0 mm	1SNA 199 435 R1400
	orange	FEAD6	V0	th. 5,0 mm	1SNA 199 436 R1500
3 Screwless jumper bar to be inserted into ADO jaw	orange IP20	BJADO5.2	17,5 A	2 poles	1SNA 205 955 R0300
		BJADO5.3	17,5 A	3 poles	1SNA 205 956 R0400
		BJADO5.4	17,5 A	4 poles	1SNA 205 957 R0500
		BJADO5.5	17,5 A	5 poles	1SNA 205 958 R1600
		BJADO5.10	17,5 A	10 poles	1SNA 205 963 R0300
		BJADO5.20	17,5 A	20 poles	1SNA 205 973 R0500
4 Hand tool kit		OUMAD			1SNA 179 466 R0600
5 Semi automatic kit		OUPAD			1SNA 178 944 R0400
6 Pneumatic tool kit		OUTAD			1SNA 205 710 R1100
7 Replacement head kit		OUTA			1SNA 205 284 R0300
8 Extraction tool kit		EXAD2			1SNA 205 721 R0000
9 Test connector		CEADO.5			1SNA 399 345 R1100
		CEADOE			1SNA 399 341 R1500
R See section on markers marking method					

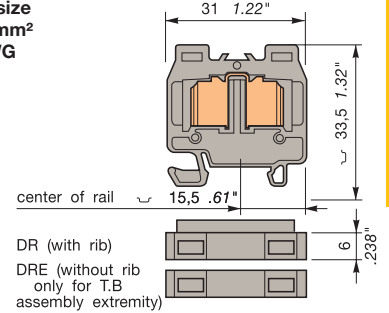
DR 1/5.ADO

Spacing 5 mm +0,05 (.198")
ADO wire size
0,22 - 1 mm²
24 - 18 AWG



DR 1,5/6.ADO

Spacing 6 mm +0,05 (.238")
ADO wire size
0,34 - 1,5 mm²
22 - 16 AWG



Colour	Type	Part numbers
Grey	DR 1/5.ADO	1SNA 399 491 R2500
Blue	DR 1/5.N.ADO	1SNA 399 493 R2700
Orange	DR 1/5.ADO	1SNA 399 492 R2600
Grey	DRE 1/5.ADO	1SNA 399 495 R2100

Colour	Type	Part numbers
Grey	DR 1,5/6.ADO	1SNA 199 283 R2400
Blue	DR 1,5/6.N.ADO	1SNA 199 285 R2600
Orange	DR 1,5/6.ADO	1SNA 199 284 R2500
Grey	DRE 1,5/6.ADO	1SNA 299 554 R0700

Characteristics

Wire size	IEC		UL/CSA
	NFC	DIN	
Screw Rigid			
Screw Flexible			
ADO Rigid	0,2 - 1 mm ²		24-18 AWG
ADO Flexible	0,22 - 1 mm ²		24-18 AWG

Voltage		
Rated	1000 V	600 V
Impulse withstand	8 kV	
Pollution degree	3	

Current		
Rated	13,5 A	10 A

Wire size			
Rated / Gauge	1 mm ²	18 AWG	
Wire strip. length	Recomm. screwdriver	Weight	Protection
		3 g	IP 20
		.11 oz	NEMA 1

Characteristics

Wire size	IEC		UL/CSA
	NFC	DIN	
Screw Rigid			
Screw Flexible			
ADO Rigid	0,28 - 1,5 mm ²		22-16 AWG
ADO Flexible	0,34 - 1,5 mm ²		22-16 AWG

Voltage		
Rated	1000 V	600 V
Impulse withstand	8 kV	
Pollution degree	3	

Current		
Rated	17,5 A	20 A

Wire size			
Rated / Gauge	1,5 mm ²	16 AWG	
Wire strip. length	Recomm. screwdriver	Weight	Protection
		3 g	IP 20
		.11 oz	NEMA 1

Type	P/N	
On top	RC55	

Type	P/N	
On top	RC 65	

Miniblocks Insulation Displacement ADO - ADO

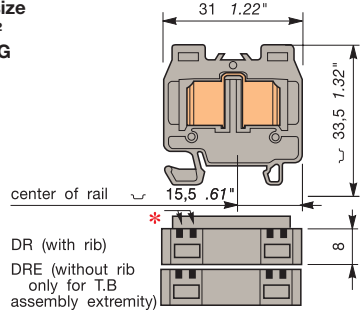


DIN 2



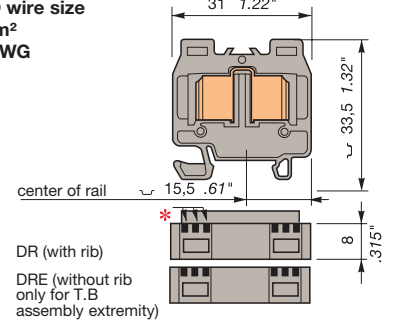
DR 2,5/8.ADO

Spacing 8 mm +0,05 (.315")
ADO wire size
1 - 2,5 mm²
16 - 14 AWG



DR 4/8.ADO3

Spacing 8 mm +0,05 (.315")
ADO wire size
4 mm²
12 AWG



Colour	Type	Part numbers
Grey	DR 2,5/8.ADO	1SNA 199 287 R2000
Blue	DR 2,5/8.N.ADO	1SNA 199 289 R0200
Orange	DR 2,5/8.ADO	1SNA 199 288 R0100
Grey	DRE 2,5/8.ADO	1SNA 299 555 R0000

Colour	Type	Part numbers
Grey	DR 4/8.ADO3	1SNA 399 406 R0000
Blue	DR 4/8.N.ADO3	1SNA 399 408 R12000
Orange	DR 4/8.ADO3	1SNA 399 407 R01000
Grey	DRE 4/8.ADO3	1SNA 399 410 R07000

Characteristics

Wire size	IEC		UL/CSA
	NFC	DIN	
Screw Rigid			
Screw Flexible			
ADO Rigid	1-2,5 mm ²		16-14 AWG
ADO Flexible	1-2,5 mm ²		16-14 AWG

Characteristics

Wire size	IEC		UL/CSA
	NFC	DIN	
Screw Rigid			
Screw Flexible			
ADO Rigid	4 mm ²		12 AWG
ADO Flexible	4 mm ²		12 AWG

Voltage		
Rated	1000 V	600 V
Impulse withstand	8 kV	
Pollution degree	3	

Voltage		
Rated	1000 V	
Impulse withstand		
Pollution degree	3	

Current		
Rated	24 A	25 A

Current		
Rated	32 A	

Wire size			
Rated / Gauge	2,5 mm ²	14 AWG	
Wire strip. length			
Recomm. screwdriver			
Weight	7 g		
Protection		IP 20	
		NEMA 1	

Wire size			
Rated / Gauge	4 mm ²	12 AWG	
Wire strip. length			
Recomm. screwdriver			
Weight	7 g		
Protection		IP 20	
		NEMA 1	

End stop th. 6,5 mm BADRL V0 1SNA 199 420 R2100
Rail 15 x 5 x 1 PR2 1SNA 164 600 R1200
Other end stops, rails and accessories : see section on accessories.

Observations

Terminal block body material is UL 94 V0.

DR 2,5/8.ADO block : for multiple wire connections, the two wires need to be of the **same gage and nature** (rigid or flexible).

DR 4/8.ADO3 block : connection of only one rigid or flexible 4 mm² wire.

* Notches to identify 8 mm spacing.

Accessories

Type	Color	Part numbers
1 End section	grey	FEAD2 V0 th. 2,5 mm 1SNA 199 423 R1000
	orange	FEAD2 V0 th. 2,5 mm 1SNA 199 424 R1100
2 Separator	grey	FEAD6 V0 th. 5,0 mm 1SNA 199 435 R1400
	orange	FEAD6 V0 th. 5,0 mm 1SNA 199 436 R1500
3 Hand tool kit		OUMAD 1SNA 179 466 R0600
4 Semi automatic kit		OUPAD 1SNA 178 944 R0400
5 Pneumatic tool kit		OUTAD 1SNA 205 710 R1100
6 Replacement head kit		OUTA 1SNA 205 284 R0300
7 Extraction tool kit		EXAD2 1SNA 205 721 R0000
R		See section on markers marking method

Type	Color	Part numbers
1 End section	grey	FEAD2 V0 th. 2,5 mm 1SNA 199 423 R1000
	orange	FEAD2 V0 th. 2,5 mm 1SNA 199 424 R1100
2 Separator	grey	FEAD6 V0 th. 5,0 mm 1SNA 199 435 R1400
	orange	FEAD6 V0 th. 5,0 mm 1SNA 199 436 R1500
3 Hand tool kit		OUMAD 1SNA 179 466 R0600
4 Semi automatic kit		OUPAD 1SNA 178 944 R0400
5 Pneumatic tool kit		OUTAD 1SNA 205 710 R1100
6 Replacement head kit		OUTA 1SNA 205 284 R0300
7 Extraction tool kit		EXAD2 1SNA 205 721 R0000
R		See section on markers marking method

Type	Color	Part numbers
1 End section	grey	FEAD2 V0 th. 2,5 mm 1SNA 199 423 R1000
	orange	FEAD2 V0 th. 2,5 mm 1SNA 199 424 R1100
2 Separator	grey	FEAD6 V0 th. 5,0 mm 1SNA 199 435 R1400
	orange	FEAD6 V0 th. 5,0 mm 1SNA 199 436 R1500
3 Hand tool kit		OUMAD 1SNA 179 466 R0600
4 Semi automatic kit		OUPAD 1SNA 178 944 R0400
5 Pneumatic tool kit		OUTAD 1SNA 205 710 R1100
6 Replacement head kit		OUTA 1SNA 205 284 R0300
7 Extraction tool kit		EXAD2 1SNA 205 721 R0000
R		See section on markers marking method

**Miniblocks
Insulation Displacement
ADO - ADO**

ground terminal blocks not electrically connected to the mounting rail

DIN 2



refer to the section "Special Applications" for part numbers and characteristics.

Other accessories of this terminal blocks: see pages of same size standard blocks.
* Notches to identify 8 mm spacing.

Characteristics

Wire size	ADO Rigid	0,2-1 mm ²
	ADO Flexible	0,22-1 mm ²
Rated current short-circuit	120 A / 1s.	
Rated wire size nominal / gauge	1 mm ² / 18 AWG	

Other characteristics

Wire strip length	Recomm. screwdriver	Weight	Protection
		3 g	IP 20
		.11 oz	NEMA 1

Approvals



Accessories

1	End section	grey / orange	FEAD2 V0 th. 2,5 mm 1SNA 199 423 R1000	FEAD2 V0 th. 2,5 mm 1SNA 199 424 R1100
R	See section on markers	mode	On top RC55	

**Miniblocks
Insulation Displacement
ADO - ADO**

ground terminal blocks not electrically connected to the mounting rail

DIN 2



Other accessories of this terminal blocks: see pages of same size standard blocks.
* Notches to identify 8 mm spacing.

Characteristics

Wire size	ADO Rigid	4 mm ²
	ADO Flexible	4 mm ²
Rated current short-circuit	480 A / 1s.	
Rated wire size nominal / gauge	4 mm ² / 12 AWG	

Other characteristics

Wire strip length	Recomm. screwdriver	Weight	Protection
		7 g	IP 20
		.25 oz	NEMA 1

Approvals



Accessories

1	End section	grey / orange	FEAD2 V0 th. 2,5 mm 1SNA 199 423 R1000	FEAD2 V0 th. 2,5 mm 1SNA 199 424 R1100
R	See section on markers	mode	On top RCAL85	

DR 1/5.PI.ADO		DR 1,5/6.PI.ADO		DR 2,5/8.PI.ADO	
Spacing 5 mm + 0,05 .198" ADO wire size 0,22 - 1 mm ² 24 - 18 AWG		Spacing 6 mm + 0,05 .238" ADO wire size 0,34 - 1,5 mm ² 22 - 16 AWG		8 mm +0,05 .315" A.D.O. wire size 1 - 2,5 mm ² 16 - 14 AWG	
Type	Part number	Type	Part number	Type	Part number
Yellow body / Green marking ■ DR 1/5.PI.ADO 1SNA 399 494 R2000		Yellow body / Green marking ■ DR 1,5/6.PI.ADO 1SNA 199 286 R2700		Yellow body / Green marking ■ DR 2,5/8.PI.ADO 1SNA 199 290 R0700	
NFC IEC DIN		NFC IEC DIN		NFC IEC DIN	
UL/CSA		UL/CSA		UL/CSA	
Wire size		Wire size		Wire size	
Rated current short-circuit		Rated current short-circuit		Rated current short-circuit	
Rated wire size nominal / gauge		Rated wire size nominal / gauge		Rated wire size nominal / gauge	
Other characteristics		Other characteristics		Other characteristics	
Approvals		Approvals		Approvals	
Accessories		Accessories		Accessories	

DR 4/8.PI.ADO3					
8 mm +0,05 .315" ADO wire size 4 mm ² / 12 AWG 1 wire only					
Type	Part number	Type	Part number	Type	Part number
Yellow body / Green marking ■ DR 4/8.PI.ADO3 1SNA 399 409 R1300					
NFC IEC DIN		NFC IEC DIN		NFC IEC DIN	
UL/CSA		UL		CSA	
Wire size		Wire size		Wire size	
Rated current short-circuit		Rated current short-circuit		Rated current short-circuit	
Rated wire size nominal / gauge		Rated wire size nominal / gauge		Rated wire size nominal / gauge	
Other characteristics		Other characteristics		Other characteristics	
Approvals		Approvals		Approvals	
Accessories		Accessories		Accessories	

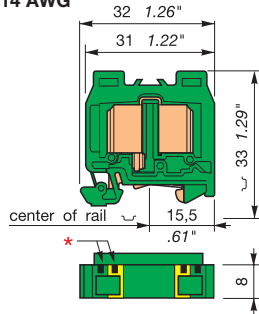
**Miniblocks
Insulation Displacement
ADO - ADO**
ground terminal blocks
electrically connected to the
mounting rail

DIN 2



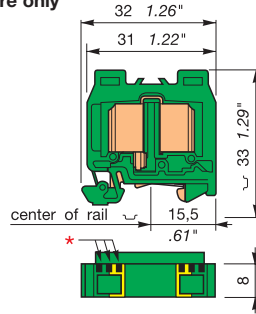
DR 2,5/8.P.ADO

Spacing 8 mm +0,05 .315"
ADO wire size
1 - 2,5 mm²
16 - 14 AWG



DR 4/8.P.ADO3

Spacing 8 mm +0,05 .315"
ADO wire size
4 mm² / 12 AWG
1 wire only



Type	Part number	Type	Part number	Type	Part number
Green body / Yellow marking		Green body / Yellow marking			
DR 2,5/8.P.ADO	1SNA 299 633 R0600	DR 4/8.P.ADO3	1SNA 399 442 R0300		

Characteristics	IEC		UL/CSA		IEC		UL/CSA		IEC		UL		CSA			
	NFC	DIN	NFC	DIN	NFC	DIN	NFC	DIN	NFC	DIN	UL	UL	UL	CSA		
Wire size	ADO Rigid Flexible		1-2,5 mm ²	16-14 AWG	4 mm ²	12 AWG	1-2,5 mm ²	16-14 AWG	4 mm ²	12 AWG						
Rated current short-circuit			300 A / 1s.		480 A / 1s.		2,5 mm ²	14 AWG	4 mm ²	12 AWG						
Rated wire size nominal / gauge			2,5 mm ²	14 AWG	4 mm ²	12 AWG										
Other characteristics	Wire strip length	Recomm. screwdriver	Weight	Protection	Wire strip length	Recomm. screwdriver	Weight	Protection	Wire strip length	Recomm. screwdriver	Weight	Protection	Wire strip length	Recomm. screwdriver	Weight	Protection
			10 g .35 oz	IP 20 NEMA 1			10 g .35 oz	IP 20 NEMA 1								
Approvals																
Accessories	Type	Part number	Type	Part number	Type	Part number	Type	Part number	Type	Part number	Type	Part number	Type	Part number	Type	Part number
1 End section	grey orange	FEAD2 V0 th. 2,5 mm 1SNA 199 423 R1000 FEAD2 V0 th. 2,5 mm 1SNA 199 424 R1100	FEAD2 V0 th. 2,5 mm 1SNA 199 423 R1000 FEAD2 V0 th. 2,5 mm 1SNA 199 424 R1100	FEAD2 V0 th. 2,5 mm 1SNA 199 423 R1000 FEAD2 V0 th. 2,5 mm 1SNA 199 424 R1100												
R See section on markers	mode	On top RCAL85	On top RCAL85	On top RCAL85												

Characteristics	IEC		UL		CSA		IEC		UL		CSA		IEC		UL		CSA			
	NFC	DIN	NFC	DIN	NFC	DIN	NFC	DIN	NFC	DIN	NFC	DIN	NFC	DIN	NFC	DIN	NFC	DIN		
Wire size	ADO Rigid Flexible																			
Rated current short-circuit																				
Rated wire size nominal / gauge																				
Other characteristics	Wire strip length	Recomm. screwdriver	Weight	Protection	Wire strip length	Recomm. screwdriver	Weight	Protection	Wire strip length	Recomm. screwdriver	Weight	Protection	Wire strip length	Recomm. screwdriver	Weight	Protection	Wire strip length	Recomm. screwdriver	Weight	Protection
Approvals																				
Accessories	Type	Part number	Type	Part number	Type	Part number	Type	Part number	Type	Part number	Type	Part number	Type	Part number	Type	Part number	Type	Part number	Type	Part number

Miniblocks Insulation Displacement

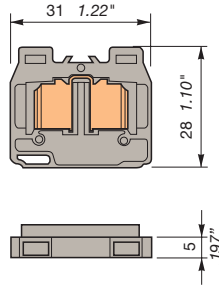
ADO - ADO

Base mount with flanges



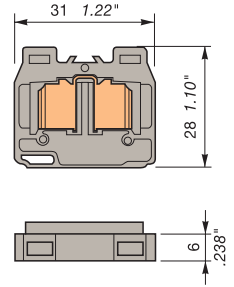
DB 1/5.ADO

Spacing 5 mm +0,05 .197"
ADO wire size
0,22 - 1 mm²
24 - 18 AWG



DB 1,5/6.ADO

Spacing 6 mm +0,05 .238"
ADO wire size
0,34 - 1,5 mm²
22 - 16 AWG



Colour	Type	Part numbers
Grey	DB 1/5.ADO	1SNA 399 501 R0700
Blue	DB 1/5.N.ADO	1SNA 399 503 R0100
Orange	DB 1/5.ADO	1SNA 399 502 R0000

Colour	Type	Part numbers
Grey	DB 1,5/6.ADO	1SNA 299 513 R2600
Blue	DB 1,5/6.N.ADO	1SNA 299 515 R2000
Orange	DB 1,5/6.ADO	1SNA 299 514 R2700

Characteristics

Wire size	IEC		UL/CSA
	NFC	DIN	
Screw	Rigid		
	Flexible		
ADO	Rigid	0,2-1 mm ²	24-18 AWG
	Flexible	0,22-1 mm ²	24-18 AWG

Characteristics

Wire size	IEC		UL/CSA
	NFC	DIN	
Screw	Rigid		
	Flexible		
ADO	Rigid	0,28-1,5 mm ²	22-16 AWG
	Flexible	0,34-1,5 mm ²	22-16 AWG

For drilling patterns see page: assembly and accessories

Observations

Standard blocks 5 and 6 mm. For multiple wires connections, the two wires need to be of the same gage and nature (rigid or flexible). Terminal block body material is UL 94 V0.

Voltage

Rated	1000 V	600 V
Impulse withstand	8 kV	
Pollution degree	3	

Voltage

Rated	1000 V	600 V
Impulse withstand	8 kV	
Pollution degree	3	

Current

Rated	13,5 A	10 A
-------	--------	------

Current

Rated	17,5 A	20 A
-------	--------	------

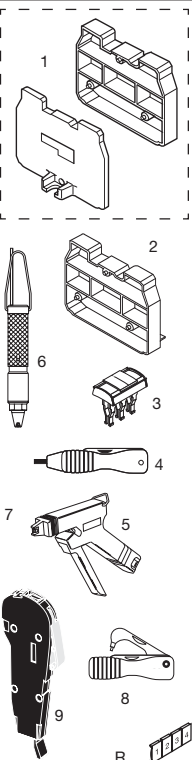
Wire size

Rated / Gauge	1 mm ²	18 AWG
Wire strip. length		
Recomm. screwdriver		
Weight	3 g	
Protection		IP 20
	.11 oz	NEMA 1

Wire size

Rated / Gauge	1,5 mm ²	16 AWG
Wire strip. length		
Recomm. screwdriver		
Weight	5 g	
Protection		IP 20
	.18 oz	NEMA 1

Accessories



1	End section (left+ right)	grey	FEAD4	V0		1SNA 199 439 R2000
		orange	FEAD4	V0		1SNA 199 440 R0500
2	Separator	grey	FEAD6	V0	th. 5,0 mm	1SNA 199 435 R1400
		orange	FEAD6	V0	th. 5,0 mm	1SNA 199 436 R1500
3	Screwless jumper bar	orange IP20	BJADO5.2	17,5 A	2 poles	1SNA 205 955 R0300
			BJADO5.3	17,5 A	3 poles	1SNA 205 956 R0400
			BJADO5.4	17,5 A	4 poles	1SNA 205 957 R0500
			BJADO5.5	17,5 A	5 poles	1SNA 205 958 R1600
			BJADO5.10	17,5 A	10 poles	1SNA 205 963 R0300
			BJADO5.20	17,5 A	20 poles	1SNA 205 973 R0500
4	Hand tool kit		OUMAD			1SNA 179 466 R0600
5	Semi automatic tool		OUPAD			1SNA 178 944 R0400
6	Pneumatic tool kit		OUTAD			1SNA 205 710 R1100
7	Replacement head kit		OUTA			1SNA 205 284 R0300
8	Extraction tool kit		EXAD2			1SNA 205 721 R0000
9	Test connector		CEADO.5			1SNA 399 345 R1100
			CEADOE			1SNA 399 341 R1500

R See section on markers marking method

Type				P/N
FEAD4	V0			1SNA 199 439 R2000
FEAD4	V0			1SNA 199 440 R0500
FEAD6	V0	th. 5,0 mm		1SNA 199 435 R1400
FEAD6	V0	th. 5,0 mm		1SNA 199 436 R1500
BJADO5.2	17,5 A	2 poles		1SNA 205 955 R0300
BJADO5.3	17,5 A	3 poles		1SNA 205 956 R0400
BJADO5.4	17,5 A	4 poles		1SNA 205 957 R0500
BJADO5.5	17,5 A	5 poles		1SNA 205 958 R1600
BJADO5.10	17,5 A	10 poles		1SNA 205 963 R0300
BJADO5.20	17,5 A	20 poles		1SNA 205 973 R0500
OUMAD				1SNA 179 466 R0600
OUPAD				1SNA 178 944 R0400
OUTAD				1SNA 205 710 R1100
OUTA				1SNA 205 284 R0300
EXAD2				1SNA 205 721 R0000
CEADO.5				1SNA 399 345 R1100
CEADOE				1SNA 399 341 R1500

Type				P/N
FEAD4	V0			1SNA 199 439 R2000
FEAD4	V0			1SNA 199 440 R0500
FEAD6	V0	th. 5,0 mm		1SNA 199 435 R1400
FEAD6	V0	th. 5,0 mm		1SNA 199 436 R1500
BJADO6.2	17,5 A	2 poles		1SNA 205 974 R0600
BJADO6.3	17,5 A	3 poles		1SNA 205 975 R0700
BJADO6.4	17,5 A	4 poles		1SNA 205 976 R0000
BJADO6.5	17,5 A	5 poles		1SNA 205 977 R0100
BJADO6.10	17,5 A	10 poles		1SNA 205 982 R2700
BJADO6.20	17,5 A	20 poles		1SNA 205 992 R2100
OUMAD				1SNA 179 466 R0600
OUPAD				1SNA 178 944 R0400
OUTAD				1SNA 205 710 R1100
OUTA				1SNA 205 284 R0300
EXAD2				1SNA 205 721 R0000
CEADO.6				1SNA 399 346 R1200
CEADOE				1SNA 399 341 R1500

On top RC65

Miniblocks Insulation Displacement

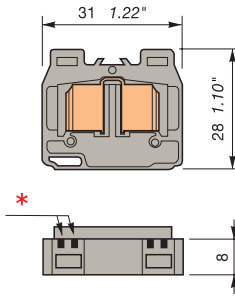
ADO - ADO

Base mount with flanges



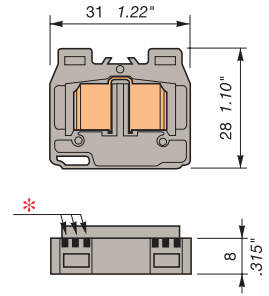
DB 2,5/8.ADO

Spacing 8 mm +0,05 .315"
ADO wire size
1 - 2,5 mm²
16 - 14 AWG



DB 4/8.ADO3

Spacing 8 mm +0,05 .315"
ADO wire size
4 mm²
12 AWG



Colour	Type	Part numbers
Grey	□ DB 2,5/8.ADO	1SNA 299 517 R2200
Blue	□ DB 2,5/8.N.ADO	1SNA 299 519 R0400
Orange	□ DB 2,5/8.ADO	1SNA 299 518 R0300

Colour	Type	Part numbers
Grey	□ DB 4/8.ADO3	1SNA 399 416 R2100
Blue	□ DB 4/8.N.ADO3	1SNA 399 418 R0300
Orange	□ DB 4/8.ADO3	1SNA 399 417 R2200

Characteristics

Wire size	IEC		UL/CSA
	NFC	DIN	
Screw	Rigid		
	Flexible		
ADO	Rigid	1-2,5 mm ²	16-14 AWG
	Flexible	1-2,5 mm ²	16-14 AWG

Characteristics

Wire size	IEC		UL/CSA
	NFC	DIN	
Screw	Rigid		
	Flexible		
ADO	Rigid	4 mm ²	12 AWG
	Flexible	4 mm ²	12 AWG

Voltage

Rated	800 V	600 V
Impulse withstand	8 kV	
Pollution degree	3	

Voltage

Rated	1000 V	
Impulse withstand		
Pollution degree	3	

Current

Rated	24 A	25 A
-------	------	------

Current

Rated	32 A	
-------	------	--

Wire size

Rated / Gauge	2,5 mm ²	14 AWG
Wire strip. length		
Recomm. screwdriver		
Weight	7 g	IP 20
Protection	.25 oz	NEMA 1

Wire size

Rated / Gauge	4 mm ²	12 AWG
Wire strip. length		
Recomm. screwdriver		
Weight	7 g	IP 20
Protection	.25 oz	NEMA 1

For drilling patterns see page: assembly and accessories

Observations

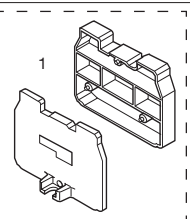
Terminal block body material is UL 94 V0.

DB 2,5/8.ADO block : for multiple wire connections, the two wires need to be of the **same gage and nature** (rigid or flexible).

DB 4/8.ADO3 block : connection of only one rigid or flexible 4 mm² wire.

* Notches to identify 8 mm spacing.

Accessories



- 1 End section (left+ right) grey/orange
- 2 Separator grey/orange
- 3 Hand tool kit
- 4 Semi automatic tool
- 5 Pneumatic tool kit
- 6 Replacement head kit
- 7 Extraction tool kit

Accessories

Type	P/N
FEAD4 V0	1SNA 199 439 R2000
FEAD4 V0	1SNA 199 440 R0500
FEAD6 V0 th. 5,0 mm	1SNA 199 435 R1400
FEAD6 V0 th. 5,0 mm	1SNA 199 436 R1500
OUMAD	1SNA 179 466 R0600
OUPAD	1SNA 178 944 R0400
OUTAD	1SNA 205 710 R1100
OUTA	1SNA 205 284 R0300
EXAD2	1SNA 205 721 R0000

Accessories

Type	P/N
FEAD4 V0	1SNA 199 439 R2000
FEAD4 V0	1SNA 199 440 R0500
FEAD6 V0 th. 5,0 mm	1SNA 199 435 R1400
FEAD6 V0 th. 5,0 mm	1SNA 199 436 R1500
OUMAD	1SNA 179 466 R0600
OUPAD	1SNA 178 944 R0400
OUTAD	1SNA 205 710 R1100
OUTA	1SNA 205 284 R0300
EXAD2	1SNA 205 721 R0000

R See section on markers marking method

On top RCAL85

On top RCAL85

**Miniblocks
Insulation Displacement
ADO - ADO**
ground terminal blocks not electrically connected to the mounting plate
Base mount with flanges



Other accessories of this terminal blocks: see pages of same size standard blocks.
* Notches to identify 8 mm spacing.

Characteristics		NFC IEC DIN		UL/CSA	
Wire size	ADO Rigid Flexible	0,2-1 mm ²	24-18 AWG	0,28-1,5 mm ²	22-16 AWG
Rated current short-circuit		120 A / 1 s.	24-18 AWG	180 A / 1 s.	22-16 AWG
Rated wire size nominal / gauge		1 mm ²	18 AWG	1,5 mm ²	16 AWG
Other characteristics		Wire strip. length	Recomm. screwdriver	Weight	Protection
				3 g	IP 20
				.11 oz	NEMA 1
Approvals		cRU US		cRU US	
Accessories		Type	Part number	Type	Part number
1	End section kit with flanges (left + right) grey orange	FEAD4 V0	1SNA 199 439 R2000	FEAD4 V0	1SNA 199 439 R2000
		FEAD4 V0	1SNA 199 440 R0500	FEAD4 V0	1SNA 199 440 R0500
R	See section on markers mode	RC55		RC65	

DB 1/5.PI.ADO
Spacing 5 mm +0,05 (.198")
ADO wire size
0,22 - 1 mm²
24 - 18 AWG

Type	Part number
Yellow body / Green marking	
■ DB 1/5.PI.ADO	1SNA 399 504 R0200

DB 1,5/6.PI.ADO
Spacing 6 mm +0,05 (.238")
ADO wire size
0,34 - 1,5 mm²
22 - 16 AWG

Type	Part number
Yellow body / Green marking	
■ DB 1,5/6.PI.ADO	1SNA 299 516 R2100

DB 2,5/8.PI.ADO
Spacing 8 mm +0,05 (.315")
ADO wire size
1 - 2,5 mm²
16 - 14 AWG

Type	Part number
Yellow body / Green marking	
■ DB 2,5/8.PI.ADO	1SNA 299 520 R0100

Characteristics		NFC IEC DIN		UL/CSA	
Wire size	ADO Rigid Flexible	0,22-1 mm ²	24-18 AWG	0,34-1,5 mm ²	22-16 AWG
Rated current short-circuit		120 A / 1 s.	24-18 AWG	180 A / 1 s.	22-16 AWG
Rated wire size nominal / gauge		1 mm ²	18 AWG	1,5 mm ²	16 AWG
Other characteristics		Wire strip. length	Recomm. screwdriver	Weight	Protection
				5 g	IP 20
				.18 oz	NEMA 1
Approvals		cRU US		cRU US	
Accessories		Type	Part number	Type	Part number
1	End section kit with flanges (left + right) grey orange	FEAD4 V0	1SNA 199 439 R2000	FEAD4 V0	1SNA 199 439 R2000
		FEAD4 V0	1SNA 199 440 R0500	FEAD4 V0	1SNA 199 440 R0500
R	See section on markers mode	RC55		RC65	

Characteristics		NFC IEC DIN		UL/CSA	
Wire size	ADO Rigid Flexible	0,28-1,5 mm ²	22-16 AWG	0,34-1,5 mm ²	22-16 AWG
Rated current short-circuit		180 A / 1 s.	22-16 AWG	180 A / 1 s.	22-16 AWG
Rated wire size nominal / gauge		1,5 mm ²	16 AWG	1,5 mm ²	16 AWG
Other characteristics		Wire strip. length	Recomm. screwdriver	Weight	Protection
				5 g	IP 20
				.18 oz	NEMA 1
Approvals		cRU US		cRU US	
Accessories		Type	Part number	Type	Part number
1	End section kit with flanges (left + right) grey orange	FEAD4 V0	1SNA 199 439 R2000	FEAD4 V0	1SNA 199 439 R2000
		FEAD4 V0	1SNA 199 440 R0500	FEAD4 V0	1SNA 199 440 R0500
R	See section on markers mode	RC55		RC65	

Characteristics		NFC IEC DIN		UL/CSA	
Wire size	ADO Rigid Flexible	1-2,5 mm ²	16-14 AWG	1-2,5 mm ²	16-14 AWG
Rated current short-circuit		300 A / 1 s.	16-14 AWG	300 A / 1 s.	16-14 AWG
Rated wire size nominal / gauge		2,5 mm ²	14 AWG	2,5 mm ²	14 AWG
Other characteristics		Wire strip. length	Recomm. screwdriver	Weight	Protection
				7 g	IP 20
				.25 oz	NEMA 1
Approvals		cRU US		cRU US	
Accessories		Type	Part number	Type	Part number
1	End section kit with flanges (left + right) grey orange	FEAD4 V0	1SNA 199 439 R2000	FEAD4 V0	1SNA 199 439 R2000
		FEAD4 V0	1SNA 199 440 R0500	FEAD4 V0	1SNA 199 440 R0500
R	See section on markers mode	RCAL85		RCAL85	

**Miniblocks
Insulation Displacement
ADO - ADO**
ground terminal blocks not electrically connected to the mounting plate
Base mount with flanges



Other accessories of this terminal blocks: see pages of same size standard blocks.
* Notches to identify 8 mm spacing.

Characteristics		NFC IEC DIN		UL/CSA	
Wire size	ADO Rigid Flexible	4 mm ²	12 AWG	4 mm ²	12 AWG
Rated current short-circuit		480 A / 1 s.	12 AWG	480 A / 1 s.	12 AWG
Rated wire size nominal / gauge		4 mm ²	12 AWG	4 mm ²	12 AWG
Other characteristics		Wire strip. length	Recomm. screwdriver	Weight	Protection
				7 g	IP 20
				.25 oz	NEMA 1
Approvals		cRU US		CE	
Accessories		Type	Part number	Type	Part number
1	End section kit with flanges (left + right) grey orange	FEAD4 V0	1SNA 199 439 R2000	FEAD4 V0	1SNA 199 439 R2000
		FEAD4 V0	1SNA 199 440 R0500	FEAD4 V0	1SNA 199 440 R0500
R	See section on markers mode	RCAL85		RCAL85	

DB 4/8.PI.ADO3
Spacing 8 mm +0,05 (.315")
ADO wire size
4 mm² / 12 AWG
1 wire only

Type	Part number
Yellow body / Green marking	
■ DB 4/8.PI.ADO3	1SNA 399 419 R0400

Type	Part number

Type	Part number

Type	Part number

Type	Part number

Characteristics		NFC IEC DIN		UL/CSA	
Wire size	ADO Rigid Flexible	4 mm ²	12 AWG	4 mm ²	12 AWG
Rated current short-circuit		480 A / 1 s.	12 AWG	480 A / 1 s.	12 AWG
Rated wire size nominal / gauge		4 mm ²	12 AWG	4 mm ²	12 AWG
Other characteristics		Wire strip. length	Recomm. screwdriver	Weight	Protection
				7 g	IP 20
				.25 oz	NEMA 1
Approvals		cRU US		CE	
Accessories		Type	Part number	Type	Part number
1	End section kit with flanges (left + right) grey orange	FEAD4 V0	1SNA 199 439 R2000	FEAD4 V0	1SNA 199 439 R2000
		FEAD4 V0	1SNA 199 440 R0500	FEAD4 V0	1SNA 199 440 R0500
R	See section on markers mode	RCAL85		RCAL85	

Characteristics		NFC IEC DIN		UL/CSA	
Wire size	ADO Rigid Flexible	0,28-1,5 mm ²	22-16 AWG	0,34-1,5 mm ²	22-16 AWG
Rated current short-circuit		180 A / 1 s.	22-16 AWG	180 A / 1 s.	22-16 AWG
Rated wire size nominal / gauge		1,5 mm ²	16 AWG	1,5 mm ²	16 AWG
Other characteristics		Wire strip. length	Recomm. screwdriver	Weight	Protection
				5 g	IP 20
				.18 oz	NEMA 1
Approvals		cRU US		CE	
Accessories		Type	Part number	Type	Part number
1	End section kit with flanges (left + right) grey orange	FEAD4 V0	1SNA 199 439 R2000	FEAD4 V0	1SNA 199 439 R2000
		FEAD4 V0	1SNA 199 440 R0500	FEAD4 V0	1SNA 199 440 R0500
R	See section on markers mode	RC55		RC65	

Characteristics		NFC IEC DIN		UL/CSA	
Wire size	ADO Rigid Flexible	1-2,5 mm ²	16-14 AWG	1-2,5 mm ²	16-14 AWG
Rated current short-circuit		300 A / 1 s.	16-14 AWG	300 A / 1 s.	16-14 AWG
Rated wire size nominal / gauge		2,5 mm ²	14 AWG	2,5 mm ²	14 AWG
Other characteristics		Wire strip. length	Recomm. screwdriver	Weight	Protection
				7 g	IP 20
				.25 oz	NEMA 1
Approvals		cRU US		CE	
Accessories		Type	Part number	Type	Part number
1	End section kit with flanges (left + right) grey orange	FEAD4 V0	1SNA 199 439 R2000	FEAD4 V0	1SNA 199 439 R2000
		FEAD4 V0	1SNA 199 440 R0500	FEAD4 V0	1SNA 199 440 R0500
R	See section on markers mode	RCAL85		RCAL85	

Miniblocks Insulation Displacement



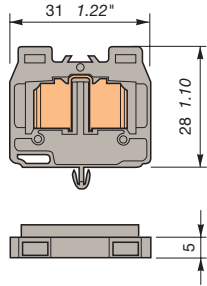
ADO - ADO

Base mount with snap in mounting foot



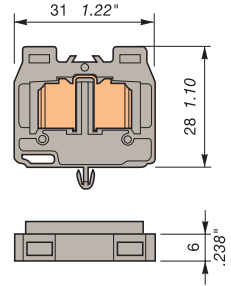
DH 1/5.ADO

Spacing 5 mm +0,05 (.198")
ADO wire size
0,22 - 1 mm²
24 - 18 AWG



DH 1,5/6.ADO

Spacing 6 mm +0,05 (.238")
ADO wire size
0,34 - 1,5 mm²
22 - 16 AWG



Colour	Type	Part numbers
Grey	DH 1/5.ADO	1SNA 399 505 R0300
Blue	DH 1/5.N.ADO	1SNA 399 507 R0500
Orange	DH 1/5.ADO	1SNA 399 506 R0400

Characteristics

Wire size	IEC		UL/CSA
	NFC	DIN	
Screw	Rigid		
	Flexible		
ADO	Rigid	0,2-1 mm ²	24-18 AWG
	Flexible	0,22-1 mm ²	24-18 AWG

Voltage		
Rated	1000 V	600 V
Impulse withstand	8 kV	
Pollution degree	3	

Current		
Rated	13,5 A	10 A

Wire size			
Rated / Gauge	1 mm ²	18 AWG	
Wire strip. length	Recomm. screwdriver	Weight	Protection
		3 g	IP 20
		.11 oz	NEMA 1

Colour	Type	Part numbers
Grey	DH 1,5/6.ADO	1SNA 299 529 R0600
Blue	DH 1,5/6.N.ADO	1SNA 299 531 R2000
Orange	DH 1,5/6.ADO	1SNA 299 530 R0300

Characteristics

Wire size	IEC		UL/CSA
	NFC	DIN	
Screw	Rigid		
	Flexible		
ADO	Rigid	0,28-1,5 mm ²	22-16 AWG
	Flexible	0,34-1,5 mm ²	22-16 AWG

Voltage		
Rated	1000 V	600 V
Impulse withstand	8 kV	
Pollution degree	3	

Current		
Rated	17,5 A	20 A

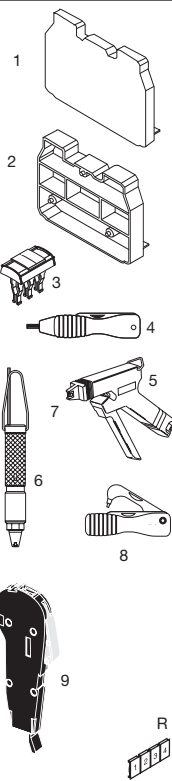
Wire size			
Rated / Gauge	1,5 mm ²	16 AWG	
Wire strip. length	Recomm. screwdriver	Weight	Protection
		5 g	IP 20
		.18 oz	NEMA 1

For drilling patterns see page: assembly and accessories

Observations

Standard blocks 5 and 6 mm. For multiple wires connections, the two wires need to be of the same gage and nature (rigid or flexible). Terminal block body material is UL 94 V0.

Accessories



Type	P/N
1 End section	gris orange
2 Separator	gris orange
3 Screwless jumper bar to be inserted into ADO jaw	orange IP20
4 Hand tool kit	OUMAD
5 Semi automatic tool	OUPAD
6 Pneumatic tool kit	OUTAD
7 Replacement head kit	OUTA
8 Extraction tool kit	EXAD2
9 Test connector	CEADO.5 CEADO.6 CEADOE
R See section on markers marking method	

Type	P/N
FEAD2 V0 th. 2,5 mm	1SNA 199 423 R1000
FEAD2 V0 th. 2,5 mm	1SNA 199 424 R1100
FEAD6 V0 th. 5,0 mm	1SNA 199 435 R1400
FEAD6 V0 th. 5,0 mm	1SNA 199 436 R1500
BJADO5.2 17,5 A 2 poles	1SNA 205 955 R0300
BJADO5.3 17,5 A 3 poles	1SNA 205 956 R0400
BJADO5.4 17,5 A 4 poles	1SNA 205 957 R0500
BJADO5.5 17,5 A 5 poles	1SNA 205 958 R1600
BJADO5.10 17,5 A 10 poles	1SNA 205 963 R0300
BJADO5.20 17,5 A 20 poles	1SNA 205 973 R0500
OUMAD	1SNA 179 466 R0600
OUPAD	1SNA 178 944 R0400
OUTAD	1SNA 205 710 R1100
OUTA	1SNA 205 284 R0300
EXAD2	1SNA 205 721 R0000
CEADO.5	1SNA 399 345 R1100
CEADOE	1SNA 399 341 R1500
On top	RC55

Type	P/N
FEAD2 V0 th. 2,5 mm	1SNA 199 423 R1000
FEAD2 V0 th. 2,5 mm	1SNA 199 424 R1100
FEAD6 V0 th. 5,0 mm	1SNA 199 435 R1400
FEAD6 V0 th. 5,0 mm	1SNA 199 436 R1500
BJADO6.2 17,5 A 2 poles	1SNA 205 974 R0600
BJADO6.3 17,5 A 3 poles	1SNA 205 975 R0700
BJADO6.4 17,5 A 4 poles	1SNA 205 976 R0000
BJADO6.5 17,5 A 5 poles	1SNA 205 977 R0100
BJADO6.10 17,5 A 10 poles	1SNA 205 982 R2700
BJADO6.20 17,5 A 20 poles	1SNA 205 992 R2100
OUMAD	1SNA 179 466 R0600
OUPAD	1SNA 178 944 R0400
OUTAD	1SNA 205 710 R1100
OUTA	1SNA 205 284 R0300
EXAD2	1SNA 205 721 R0000
CEADO.6	1SNA 399 346 R1200
CEADOE	1SNA 399 341 R1500
On top	RC65

Miniblocks Insulation Displacement

ADO - ADO
ground terminal blocks not
electrically connected to the
mounting plate

Base mount with snap in
mounting foot



Other accessories of this terminal blocks:
see pages of same size standard blocks.

* Notches to identify 8 mm spacing.

Characteristics

		IEC		UL/CSA		IEC		UL/CSA		IEC		UL/CSA	
		NFC	DIN			NFC	DIN			NFC	DIN		
Wire size	ADO Rigid Flexible	0,2-1 mm ²		24-18 AWG		0,28-1,5 mm ²		22-16 AWG		1-2,5 mm ²		16-14 AWG	
Rated current short-circuit		120 A / 1 s.				180 A / 1 s.				300 A / 1 s.			
Rated wire size nominal / gauge		1 mm ²		18 AWG		1,5 mm ²		16 AWG		2,5 mm ²		14 AWG	
Other characteristics		Wire strip. length	Recomm. screwdriver	Weight	Protection	Wire strip. length	Recomm. screwdriver	Weight	Protection	Wire strip. length	Recomm. screwdriver	Weight	Protection
				3 g	IP 20			5 g	IP 20			7 g	IP 20
				.11 oz	NEMA 1			.18 oz	NEMA 1			.25 oz	NEMA 1
Approvals		cUL US		GL CE		cUL US		GL CE		cUL US		GL CE	

Accessories

		Type	Part number		Type	Part number		Type	Part number	
1	End section	grey orange	FEAD2 V0 th. 2,5 mm	1SNA 199 423 R1000	FEAD2 V0 th. 2,5 mm	1SNA 199 423 R1000	FEAD2 V0 th. 2,5 mm	1SNA 199 423 R1000	FEAD2 V0 th. 2,5 mm	1SNA 199 423 R1000
			FEAD2 V0 th. 2,5 mm	1SNA 199 424 R1100	FEAD2 V0 th. 2,5 mm	1SNA 199 424 R1100	FEAD2 V0 th. 2,5 mm	1SNA 199 424 R1100	FEAD2 V0 th. 2,5 mm	1SNA 199 424 R1100
R	See section on markers	mode	RC55		RC65		RCAL85			

Miniblocks Insulation Displacement

ADO - ADO
ground terminal blocks not
electrically connected to the
mounting plate

Base mount with snap in
mounting foot



Other accessories of this terminal blocks:
see pages of same size standard blocks.

* Notches to identify 8 mm spacing.

Characteristics

		IEC		UL/CSA		IEC		UL		CSA		IEC		UL		CSA	
		NFC	DIN			NFC	DIN					NFC	DIN				
Wire size	ADO Rigid Flexible	4 mm ²		12 AWG													
Rated current short-circuit		480 A / 1 s.															
Rated wire size nominal / gauge		4 mm ²		12 AWG													
Other characteristics		Wire strip. length	Recomm. screwdriver	Weight	Protection	Wire strip. length	Recomm. screwdriver	Weight	Protection	Wire strip. length	Recomm. screwdriver	Weight	Protection				
				7 g	IP 20												
				.25 oz	NEMA 1												
Approvals		cUL US		CE													

Accessories

		Type	Part number		Type	Part number		Type	Part number	
1	End section	grey orange	FEAD2 V0 th. 2,5 mm	1SNA 199 423 R1000	FEAD2 V0 th. 2,5 mm	1SNA 199 423 R1000	FEAD2 V0 th. 2,5 mm	1SNA 199 423 R1000	FEAD2 V0 th. 2,5 mm	1SNA 199 423 R1000
			FEAD2 V0 th. 2,5 mm	1SNA 199 424 R1100	FEAD2 V0 th. 2,5 mm	1SNA 199 424 R1100	FEAD2 V0 th. 2,5 mm	1SNA 199 424 R1100	FEAD2 V0 th. 2,5 mm	1SNA 199 424 R1100
R	See section on markers	mode	RCAL85							