

Insulation displacement

Heavy duty switch terminal blocks with fuse-holder plug for automotive

Mini Fuse

Screw clamp - ADO

DIN 3



End stop		th. 9 mm	BADL	V0	1SNA 399 903 R0200
End stop		th. 10 mm	BAM2	V2	1SNA 206 351 R1600
End stop		th. 10 mm	BAM2 V0	V0	1SNA 399 967 R0100
Rail		35 x 7,5 x 1	PR3.Z2		1SNA 174 300 R1700
Rail		35 x 15 x 2,3	PR4		1SNA 168 500 R1200
Rail		35 x 15 x 1,5	PR5		1SNA 168 700 R2200

Other end stops, rails and accessories : see section on accessories.

Notes

For two wire connection max., the wires need to be of the same gage and nature (rigid or flexible). Terminal block body material is UL 94 V0.

All switch terminal blocks offer a test point DIA. 2 mm (or DIA. 2.3 mm on block D2,5/5.SFAT23.ADO) on the ADO side of the block.

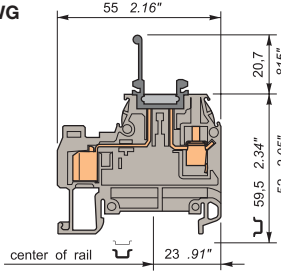
Accessories

	1	End section	grey orange
	2	Test plug	
	3	Comb-type jumper	
	4	Fuse-holder plug	black
	5	Mini Fuse - 32 V max.	
	6	Shield connector	
	7	Hand tool kit	
	8	Semi-automatic tool	
	9	Pneumatic tool kit	
	10	Replacement head kit	
	11	Extraction tool kit	
	12	Screwless jumper bar to be inserted into ADO jaw orange IP20	
	13	Test connector	
	R	See section on marking method	

D 2,5/5.SFA..ADO

Spacing 5 mm +0,05 .198"
ADO side
0,22 - 1 mm²
24-18 AWG

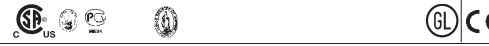
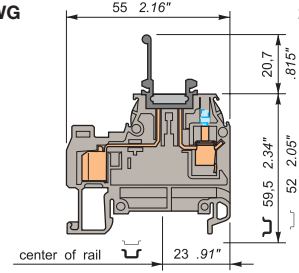
Screw side
0,2 - 2,5 mm²
22-12 AWG



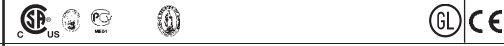
D 2,5/5.SFAT2..ADO

Spacing 5 mm +0,05 .198"
ADO side
0,22 - 1 mm²
24-18 AWG

Screw side
0,2 - 2,5 mm²
22-12 AWG



Colour	Type	Part numbers
Grey	D 2,5/5.SFA.ADO	1SNA 399 236 R0400
Orange	D 2,5/5.SFA.ADO	1SNA 399 237 R0500



Colour	Type	Part numbers
Grey	D 2,5/5.SFAT2.ADO	1SNA 399 238 R1600
Grey	D 2,5/5.SFAT23.ADO	1SNA 399 239 R1700

Characteristics

Wire size	IEC		UL/CSA
	NFC	DIN	
Screw*	Rigid	0,2-4 mm ²	22-12 AWG
	Flexible	0,22-2,5 mm ²	22-12 AWG
ADO	Rigid	0,2-1 mm ²	24-18 AWG
	Flexible	0,22-1 mm ²	24-18 AWG

Characteristics

Wire size	IEC		UL/CSA
	NFC	DIN	
Screw*	Rigid	0,2-4 mm ²	22-12 AWG
	Flexible	0,22-2,5 mm ²	22-12 AWG
ADO	Rigid	0,2-1 mm ²	24-18 AWG
	Flexible	0,22-1 mm ²	24-18 AWG

Voltage

Rated	500 V (1)	150 V (1)
Impulse withstand	6 kV	
Pollution degree	3	

Voltage

Rated	500 V (1)	150 V (1)
Impulse withstand	6 kV	
Pollution degree	3	

Current

Rated	3 A	
-------	-----	--

Current

Rated	3 A	
-------	-----	--

Wire size

Rated	1 mm ²		
Wire stripping length (screw)	Recommended screwdriver	Recommended torque	protection
9,5 mm	3,5 mm	0,4-0,6 Nm	IP 20
.37"	.137"	3.5-5.3 lb.in	NEMA 1

Wire size

Rated	1 mm ²		
Wire stripping length (screw)	Recommended screwdriver	Recommended torque	protection
9,5 mm	3,5 mm	0,4-0,6 Nm	IP 20
.37"	.137"	3.5-5.3 lb.in	NEMA 1

Type	Part numbers		
FEDAD4	th. 2 mm	1SNA 199 352 R0000	
FEDAD4	th. 2 mm	1SNA 199 353 R0100	
FC2	DIA. 2 mm	1SNA 007 865 R2600	
PC5	2 poles	1SNA 113 542 R1000	
PC5	10 poles	1SNA 113 544 R1200	
BF5AUTO		1SNA 299 877 R0300	
FUAUTO	2 A	1SNA 179 879 R1400	
FUAUTO	3 A	1SNA 179 880 R0200	
CBD1	th. 0,8 mm	1SNA 179 634 R0600	
OUMAD		1SNA 179 466 R0600	
OUPAD		1SNA 178 944 R0400	
OUTAD		1SNA 205 710 R1100	
OUTA		1SNA 205 284 R0300	
EXAD2		1SNA 205 721 R0000	
BJADO5.2	13,5 A 2 poles	1SNA 205 955 R0300	
BJADO5.3	13,5 A 3 poles	1SNA 205 956 R0400	
BJADO5.4	13,5 A 4 poles	1SNA 205 957 R0500	
BJADO5.5	13,5 A 5 poles	1SNA 205 958 R1600	
BJADO5.10	13,5 A 10 poles	1SNA 205 963 R0300	
BJADO5.20	13,5 A 20 poles	1SNA 205 973 R0500	
CEADO.5		1SNA 399 345 R1100	
CEADOE		1SNA 399 341 R1500	
RC55	RC510		

Type	Part numbers		
FEDAD4	th. 2 mm	1SNA 199 352 R0000	
FEDAD4	th. 2 mm	1SNA 199 353 R0100	
FC2	DIA. 2 mm	1SNA 007 865 R2600	
PC5	2 poles	1SNA 113 542 R1000	
PC5	10 poles	1SNA 113 544 R1200	
BF5AUTO		1SNA 299 877 R0300	
FUAUTO	2 A	1SNA 179 879 R1400	
FUAUTO	3 A	1SNA 179 880 R0200	
CBD1	th. 0,8 mm	1SNA 179 634 R0600	
OUMAD		1SNA 179 466 R0600	
OUPAD		1SNA 178 944 R0400	
OUTAD		1SNA 205 710 R1100	
OUTA		1SNA 205 284 R0300	
EXAD2		1SNA 205 721 R0000	
BJADO5.2	13,5 A 2 poles	1SNA 205 955 R0300	
BJADO5.3	13,5 A 3 poles	1SNA 205 956 R0400	
BJADO5.4	13,5 A 4 poles	1SNA 205 957 R0500	
BJADO5.5	13,5 A 5 poles	1SNA 205 958 R1600	
BJADO5.10	13,5 A 10 poles	1SNA 205 963 R0300	
BJADO5.20	13,5 A 20 poles	1SNA 205 973 R0500	
CEADO.5		1SNA 399 345 R1100	
CEADOE		1SNA 399 341 R1500	
RC55	RC510		

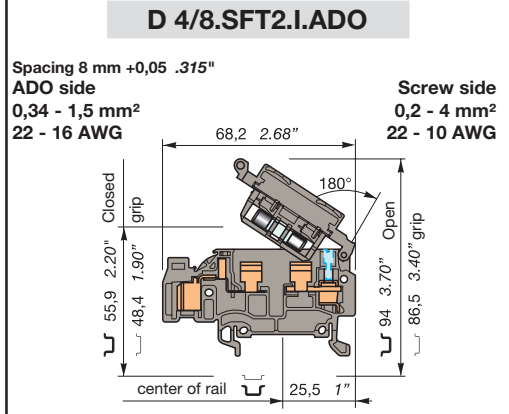
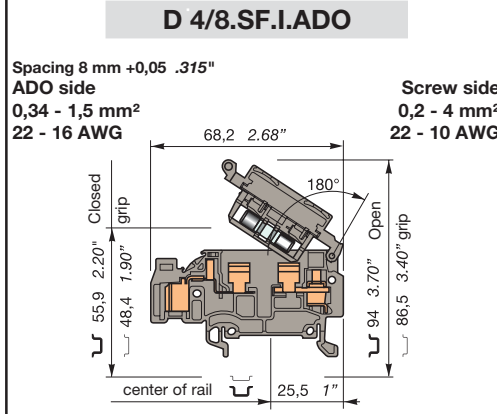
(1) Terminal block insulating voltage. Working voltage according to fuse (32 V max.).

**Terminal blocks
Insulation
Displacement**



**Fuse blocks for
5 x 20 mm and 5 x 25 mm fuses
Open in the opposite direction
ADO - Screw clamp**

DIN 3



Color	Type	Part numbers
Grey	<input type="checkbox"/> D 4/8.SF.I.ADO	1SNA 399 785 R0300
Orange	<input type="checkbox"/> D 4/8.SF.I.ADO	1SNA 399 786 R0400

Color	Type	Part number
Grey	<input type="checkbox"/> D 4/8.SFT2.I.ADO	1SNA 399 777 R1200

With DIA. 2 mm screw test socket for test on screw side.

Characteristics

Wire size	IEC			UL	CSA
	NFC	DIN			
Screw	Rigid	0,2-4 mm ²	22-10 AWG	22-10 AWG	
	Flexible	0,22-4 mm ²	22-10 AWG	22-10 AWG	
ADO	Rigid	0,34-1,5 mm ²	22-16 AWG	22-16 AWG	
	Flexible	0,34-1,5 mm ²	22-16 AWG	22-16 AWG	

Characteristics

Wire size	IEC			UL	CSA
	NFC	DIN			
Screw	Rigid	0,2-4 mm ²	22-10 AWG	22-10 AWG	
	Flexible	0,22-4 mm ²	22-10 AWG	22-10 AWG	
ADO	Rigid	0,34-1,5 mm ²	22-16 AWG	22-16 AWG	
	Flexible	0,34-1,5 mm ²	22-16 AWG	22-16 AWG	

Voltage

Rated	630 V (1)	600 V (1)	600 V (1)
Impulse withstand	8 kV		
Pollution degree	3		

Voltage

Rated	630 V (1)	600 V (1)	600 V (1)
Impulse withstand	8 kV		
Pollution degree	3		

Current

Rated	6,3 A	10 A	10 A
NoRatedminale	6,3 A	10 A	10 A

Current

Rated	6,3 A	10 A	10 A
NoRatedminale	6,3 A	10 A	10 A

Wire size

Rated	1,5 mm ²	10/16 AWG	10/16 AWG
Wire stripping length (screw)	4 mm	0,5-0,8 Nm	IP 20
	.16"	4.4-7.1 lb.in	NEMA 1

Section

Rated	1,5 mm ²	10/16 AWG	10/16 AWG
Wire stripping length (screw)	4 mm	0,5-0,8 Nm	IP 20
	.16"	4.4-7.1 lb.in	NEMA 1

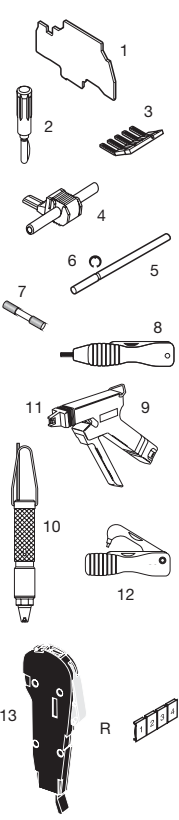
End stop		th. 9 mm	BADL	V0	1SNA 399 903 R0200
End stop		th. 10 mm	BAM2	V2	1SNA 206 351 R1600
End stop		th. 10 mm	BAM2 V0	V0	1SNA 399 967 R0100
Rail		35 x 7,5 x 1	PR3.Z2		1SNA 174 300 R1700
Rail		35 x 15 x 2,3	PR4		1SNA 168 500 R1200
Rail		35 x 15 x 1,5	PR5		1SNA 168 700 R2200

Other end stops, rails and accessories : see section on accessories.

Notes
Standard block 8 mm. For multiple wires connections, the two wires need to be of the same gage and nature (rigid or flexible). Terminal block body material is UL 94 V0.

All switch terminal blocks offer a test point (DIA. 2 mm or DIA 2.3 mm on block D 4/6.SNT23.ADO) on the ADO side of the block.

Accessories



1	End section	grey
2	Test plug	
3	Comb-type jumper bar	
4	IDC jumper	
5	Assembly rod	
6	Assembly ring	
7	5x20 fuses - 250 V	
	5x25 fuses - 250 V	
8	Hand tool kit	
9	Semi automatic kit	
10	Pneumatic tool kit	
11	Replacement head kit	
12	Extraction tool kit	
13	Test connector	
R	See section on marking	Marking method

Type	Part numbers
FEDAD10 th. 1,5 mm	1SNA 399 758 R2700
FC2 V2 DIA. 2 mm	1SNA 007 865 R2600
PC81 V2 35A 10 poles	1SNA 173 523 R1100
AD2,5 V2 24A	1SNA 114 205 R2000
TGA8 2 poles	1SNA 168 672 R1100
TGA8 3 poles	1SNA 168 673 R1200
TGA8 4 poles	1SNA 168 674 R1300
ANT	1SNA 168 675 R1400
FU520 0,5A	1SNA 008 288 R1500
FU520 1A	1SNA 008 290 R1300
FU520 2A	1SNA 008 291 R0000
FU520 3,15A	1SNA 008 289 R1600
FU520 5A	1SNA 008 292 R0100
FU525 1,6A	1SNA 167 546 R2200
FU525 2A	1SNA 167 547 R2300
FU525 2,5A	1SNA 167 548 R0400
FU525 4A	1SNA 167 549 R0500
FU525 6,3A	1SNA 167 550 R0200
OUMAD	1SNA 179 466 R0600
OUPAD	1SNA 178 944 R0400
OUTAD	1SNA 205 710 R1100
OUTA	1SNA 205 284 R0300
EXAD2	1SNA 205 721 R0000
CEADO.8	1SNA 399 348 R2400
CEADOE	1SNA 399 341 R1500

Type	Part numbers
FEDAD10 th. 1,5 mm	1SNA 399 758 R2700
FC2 V2 DIA. 2 mm	1SNA 007 865 R2600
PC81 V2 35A 10 poles	1SNA 173 523 R1100
AD2,5 V2 24A	1SNA 114 205 R2000
TGA8 2 poles	1SNA 168 672 R1100
TGA8 3 poles	1SNA 168 673 R1200
TGA8 4 poles	1SNA 168 674 R1300
ANT	1SNA 168 675 R1400
FU520 0,5A	1SNA 008 288 R1500
FU520 1A	1SNA 008 290 R1300
FU520 2A	1SNA 008 291 R0000
FU520 3,15A	1SNA 008 289 R1600
FU520 5A	1SNA 008 292 R0100
FU525 1,6A	1SNA 167 546 R2200
FU525 2A	1SNA 167 547 R2300
FU525 2,5A	1SNA 167 548 R0400
FU525 4A	1SNA 167 549 R0500
FU525 6,3A	1SNA 167 550 R0200
OUMAD	1SNA 179 466 R0600
OUPAD	1SNA 178 944 R0400
OUTAD	1SNA 205 710 R1100
OUTA	1SNA 205 284 R0300
EXAD2	1SNA 205 721 R0000
CEADO.8	1SNA 399 348 R2400
CEADOE	1SNA 399 341 R1500

(1) Terminal block insulation voltage.
Working voltage according to fuse.

**Terminal blocks
Insulation
Displacement**



Fuses block for 5 x 20 mm and 5 x 25 mm

Open in the opposite direction

ADO - Screw clamp

DIN 1 - 3

End stop		th. 9 mm	BADL	V0	1SNA 399 903 R0200
End stop		th. 10 mm	BAM2	V2	1SNA 206 351 R1600
End stop		th. 10 mm	BAM2 V0	V0	1SNA 399 967 R0100
Rail		35 x 7,5 x 1	PR3.Z2		1SNA 174 300 R1700
Rail		35 x 15 x 2,3	PR4		1SNA 168 500 R1200
Rail		35 x 15 x 1,5	PR5		1SNA 168 700 R2200

Other end stops, rails and accessories : see section on accessories.

Notes

Standard bloc 8 mm. For multiple wires connections, the two wires need to be of the **same gage and nature** (rigid or flexible). Terminal block body material is UL 94 V0.

All switch terminal blocks offer a test point (DIA. 2 mm or DIA 2.3 mm on block D 4/6.SNT23.ADO) on the ADO side of the block.

Accessories

	1 End section	grey
	2 Test plug	
	3 Comb-type jumper bar	
	4 IDC jumper	
	5 Assembly rod	
	6 Assembly ring	
	7 5x20 fuses - 250 V	
	8 Hand tool kit	
	9 Semi automatic kit	
	10 Pneumatic tool kit	
	11 Replacement head kit	
	12 Extraction tool kit	
	13 Test connector	
	R See section on marking	Marking method

D 4/8.SF...I.ADO

Blown fuse indicator

Spacing 8 mm +0,05 .315"

ADO side

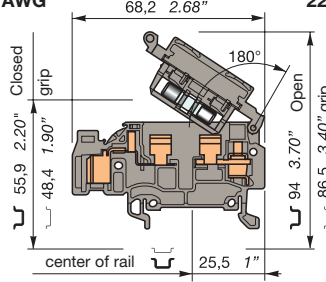
0,34 - 1,5 mm²

22 - 16 AWG

Screw side

0,2 - 4 mm²

22 - 10 AWG



D 4/8.SF...T2.I.ADO

Blown fuse indicator

Spacing 8 mm +0,05 .315"

ADO side

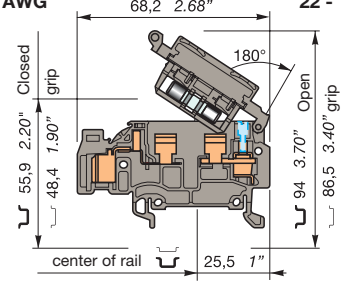
0,34 - 1,5 mm²

22 - 16 AWG

Screw side

0,2 - 4 mm²

22 - 10 AWG



Colour	Type	Part numbers
Grey (1)	<input type="checkbox"/> D 4/8.SFL.I.ADO	1SNA 399 780 R1200
Grey (2)	<input type="checkbox"/> D 4/8.SFD.I.ADO	1SNA 399 781 R0700
Grey (3)	<input type="checkbox"/> D 4/8.SFD1.I.ADO	1SNA 399 783 R0100

Characteristics

Wire size

Screw	Rigid	IEC	UL	CSA
		NFC DIN		
ADO	Rigid	0,2-4 mm ²	22-10 AWG	22-10 AWG
	Flexible	0,22-4 mm ²	22-10 AWG	22-10 AWG
ADO	Rigid	0,34-1,5 mm ²	22-16 AWG	22-16 AWG
	Flexible	0,34-1,5 mm ²	22-16 AWG	22-16 AWG

Voltage

Rated	500 V	600 V	600 V
Impulse withstand	6 kV		
Pollution degree	3		

Current

Rated	6,3 A	10 A	10 A
-------	-------	------	------

Wire size

Rated / Gauge	1,5 mm ²	10/16 AWG	10/16 AWG
Wire stripping length	4 mm	0,5-0,8 Nm	IP 20
	.16"	4.4-7.1 lb.in	NEMA 1

Colour	Type	Part numbers
Grey (1)	<input type="checkbox"/> D 4/8.SFLT2.I.ADO	1SNA 399 856 R0200
Grey (2)	<input type="checkbox"/> D 4/8.SFDT2.I.ADO	1SNA 399 782 R0000
Grey (3)	<input type="checkbox"/> D 4/8.SFD1T2.I.ADO	1SNA 399 784 R0200

Characteristics

Wire size

Screw	Rigid	IEC	UL	CSA
		NFC DIN		
ADO	Rigid	0,2-4 mm ²	22-10 AWG	22-10 AWG
	Flexible	0,22-4 mm ²	22-10 AWG	22-10 AWG
ADO	Rigid	0,34-1,5 mm ²	22-16 AWG	22-16 AWG
	Flexible	0,34-1,5 mm ²	22-16 AWG	22-16 AWG

Voltage

Rated	500 V	600 V	600 V
Impulse withstand	6 kV		
Pollution degree	3		

Current

Rated	6,3 A	10 A	10 A
-------	-------	------	------

Wire size

Rated / Gauge	1,5 mm ²	10/16 AWG	10/16 AWG
Wire stripping length	4 mm	0,5-0,8 Nm	IP 20
	.16"	4.4-7.1 lb.in	NEMA 1

- (1) Blown-fuse indicator by 110 V - 230 V neon lamp (leakage current with neon lamp < 0,5 mA (110 V) - < 0,7 mA (230 V)).
- (2) Blown-fuse indicator by LED 24 V (+24V labeled) (leakage current with LED 24 V or 48 V < 4,5 mA).
- (3) Blown-fuse indicator by LED 48 V (+48V labeled) (leakage current with LED 24 V or 48 V < 4,5 mA).

RCB10	RCAL85	RC610 on grip	RCB10	RCAL85	RC610 on grip
-------	--------	---------------	-------	--------	---------------

Terminal blocks Insulation Displacement



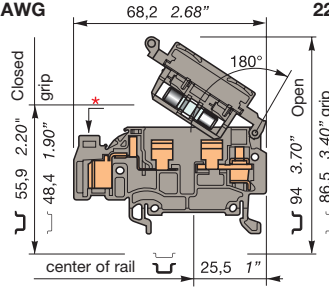
Fuse blocks for
5 x 20 mm and 5 x 25 mm fuses
Open in the opposite direction
ADO - Screw clamp

DIN 3

D 4/8.SF.I.ADO2

Spacing 8 mm +0,05 .315"
ADO side
1 - 2,5 mm²
16 - 14 AWG

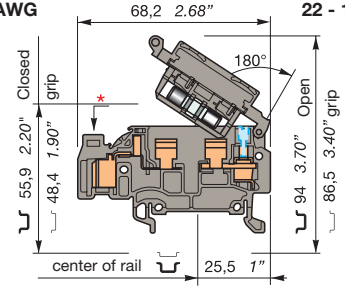
Screw side
0,2 - 4 mm²
22 - 10 AWG



D 4/8.SFT2.I.ADO2

Spacing 8 mm +0,05 .315"
ADO side
1 - 2,5 mm²
16 - 14 AWG

Screw side
0,2 - 4 mm²
22 - 10 AWG



Color	Type	Part numbers
Grey	D 4/8.SF.I.ADO2	1SNA 399 763 R1400
Orange	D 4/8.SF.I.ADO2	1SNA 399 764 R1500

Color	Type	Part number
Grey	D 4/8.SFT2.I.ADO2	1SNA 399 762 R1300

Characteristics

Wire size	IEC			UL	CSA
	NFC	DIN			
Screw	Rigid	0,2-4 mm ²	22-10 AWG	22-10 AWG	
	Flexible	0,22-4 mm ²	22-10 AWG	22-10 AWG	
ADO	Rigid	1-2,5 mm ²	16-14 AWG	16-14 AWG	
	Flexible	1-2,5 mm ²	16-14 AWG	16-14 AWG	

Characteristics

Wire size	IEC			UL	CSA
	NFC	DIN			
Screw	Rigid	0,2-4 mm ²	22-10 AWG	22-10 AWG	
	Flexible	0,22-4 mm ²	22-10 AWG	22-10 AWG	
ADO	Rigid	1-2,5 mm ²	16-14 AWG	16-14 AWG	
	Flexible	1-2,5 mm ²	16-14 AWG	16-14 AWG	

Voltage		630 V (1)	600 V (1)	600 V (1)
Rated				
Impulse withstand	8 kV			
Pollution degree	3			

Voltage		630 V (1)	600 V (1)	600 V (1)
Rated				
Impulse withstand	8 kV			
Pollution degree	3			

Current		6,3 A	10 A	10 A
Rated				

Current		6,3 A	10 A	10 A
Rated				

Wire size		1,5 mm ²	10/14 AWG	10/14 AWG
Rated				
Wire stripping length (screw)	Recommended screwdriver	Recommended torque (screw)	Protection	
9,5 mm	4 mm	0,5-0,8 Nm	IP 20	
.37"	.16"	4.4-7.1 lb.in	NEMA 1	

Wire size		1,5 mm ²	10/14 AWG	10/14 AWG
Rated				
Wire stripping length (screw)	Recommended screwdriver	Recommended torque (screw)	Protection	
9,5 mm	4 mm	0,5-0,8 Nm	IP 20	
.37"	.16"	4.4-7.1 lb.in	NEMA 1	

End stop	th. 9 mm	BADL	V0	1SNA 399 903 R0200
End stop	th. 10 mm	BAM2	V2	1SNA 206 351 R1600
End stop	th. 10 mm	BAM2 V0	V0	1SNA 399 967 R0100
Rail	35 x 7,5 x 1	PR3.Z2		1SNA 174 300 R1700
Rail	35 x 15 x 2,3	PR4		1SNA 168 500 R1200
Rail	35 x 15 x 1,5	PR5		1SNA 168 700 R2200

Other end stops, rails and accessories : see section on accessories.

Notes

Standard block 8 mm. For multiple wires connections, the two wires need to be of the same gage and nature (rigid or flexible). Terminal block body material is UL 94 V0.

All switch terminal blocks offer a test point (DIA. 2 mm or DIA 2.3 mm on block D 4/6.SNT23.ADO) on the ADO side of the block.

* - Black marking + 2notches for wire size 1 - 2,5 mm² (16 - 14 AWG)

Accessories

1	End section	grey
2	Test plug	
3	Comb-type jumper bar	
4	IDC jumper	
5	Assembly rod	
6	Assembly ring	
7	5x20 fuses - 250 V	
	5x25 fuses - 250 V	
	Fast acting according to DIN 41576.1	
8	Hand tool kit	
9	Semi automatic kit	
10	Pneumatic tool kit	
11	Replacement head kit	
12	Extraction tool kit	
R	See section on marking	Marking method

Type	Part numbers
FEDAD10 th. 1,5 mm	1SNA 399 758 R2700
FC2 V2 DIA. 2 mm	1SNA 007 865 R2600
PC81 V2 35 A 10 poles	1SNA 173 523 R1100
AD2,5 V2 24 A	1SNA 114 205 R2000
TGA8 2 poles	1SNA 168 672 R1100
TGA8 3 poles	1SNA 168 673 R1200
TGA8 4 poles	1SNA 168 674 R1300
ANT	1SNA 168 675 R1400
FU520 0,5 A	1SNA 008 288 R1500
FU520 1 A	1SNA 008 290 R1300
FU520 2 A	1SNA 008 291 R0000
FU520 3,15 A	1SNA 008 289 R1600
FU520 5 A	1SNA 008 292 R0100
FU525 1,6 A	1SNA 167 546 R2200
FU525 2 A	1SNA 167 547 R2300
FU525 2,5 A	1SNA 167 548 R0400
FU525 4 A	1SNA 167 549 R0500
FU525 6,3 A	1SNA 167 550 R0200
OUMAD	1SNA 179 466 R0600
OUPAD	1SNA 178 944 R0400
OUTAD	1SNA 205 710 R1100
OUTA	1SNA 205 284 R0300
EXAD2	1SNA 205 721 R0000

Type	Part numbers
FEDAD10 th. 1,5 mm	1SNA 399 758 R2700
FC2 V2 DIA. 2 mm	1SNA 007 865 R2600
PC81 V2 35 A 10 poles	1SNA 173 523 R1100
AD2,5 V2 24 A	1SNA 114 205 R2000
TGA8 2 poles	1SNA 168 672 R1100
TGA8 3 poles	1SNA 168 673 R1200
TGA8 4 poles	1SNA 168 674 R1300
ANT	1SNA 168 675 R1400
FU520 0,5 A	1SNA 008 288 R1500
FU520 1 A	1SNA 008 290 R1300
FU520 2 A	1SNA 008 291 R0000
FU520 3,15 A	1SNA 008 289 R1600
FU520 5 A	1SNA 008 292 R0100
FU525 1,6 A	1SNA 167 546 R2200
FU525 2 A	1SNA 167 547 R2300
FU525 2,5 A	1SNA 167 548 R0400
FU525 4 A	1SNA 167 549 R0500
FU525 6,3 A	1SNA 167 550 R0200
OUMAD	1SNA 179 466 R0600
OUPAD	1SNA 178 944 R0400
OUTAD	1SNA 205 710 R1100
OUTA	1SNA 205 284 R0300
EXAD2	1SNA 205 721 R0000

RC810 RCAL85 RC610 on grip

RC810 RCAL85 RC610 on grip

(1) Terminal block insulation voltage.
Working voltage according to fuse.

**Terminal blocks
Insulation
Displacement**



Fuse blocks for
5 x 20 mm and 5 x 25 mm fuses
Open in the opposite direction
ADO - Screw clamp

DIN 3

End stop		th. 9 mm	BADL	V0	1SNA 399 903 R0200
End stop		th. 10 mm	BAM2	V2	1SNA 206 351 R1600
End stop		th. 10 mm	BAM2 V0	V0	1SNA 399 967 R0100
Rail		35 x 7,5 x 1	PR3.Z2		1SNA 174 300 R1700
Rail		35 x 15 x 2,3	PR4		1SNA 168 500 R1200
Rail		35 x 15 x 1,5	PR5		1SNA 168 700 R2200

Other end stops, rails and accessories : see section on accessories.

Notes

Standard block 8 mm. For multiple wires connections, the two wires need to be of the **same gage and nature** (rigid or flexible). Terminal block body material is UL 94 V0.

All switch terminal blocks offer a test point (DIA. 2 mm or DIA 2.3 mm on block D 4/6.SNT23.ADO) on the ADO side of the block.

* - Black marking + 2 notches for wire size 1 - 2,5 mm² (16 - 14 AWG)

Accessories

	1 End section	grey
	2 Test plug	
	3 Comb-type jumper bar	
	4 IDC jumper	
	5 Assembly rod	
	6 Assembly ring	
	7 5x20 fuses - 250 V	
	8 Hand tool kit	
	9 Semi automatic kit	
	10 Pneumatic tool kit	
	11 Replacement head kit	
	12 Extraction tool kit	

R See section on marking
Marking method

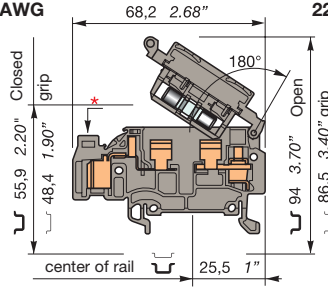
D 4/8.SF...I.ADO2

Blown fuse indicator

Spacing 8 mm +0,05 .315"

ADO side
1 - 2,5 mm²
16 - 14 AWG

Screw side
0,2 - 4 mm²
22 - 10 AWG



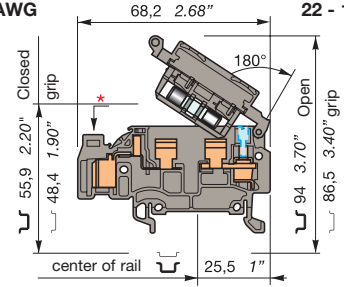
D 4/8.SF...T2.I.ADO2

Blown fuse indicator

Spacing 8 mm +0,05 .315"

ADO side
1 - 2,5 mm²
16 - 14 AWG

Screw side
0,2 - 4 mm²
22 - 10 AWG



Color	Type	Part numbers
Grey (1)	D 4/8.SFL.I.ADO2	1SNA 399 767 R1000
Grey (2)	D 4/8.SFD.I.ADO2	1SNA 399 769 R2200
Grey (3)	D 4/8.SFD1.I.ADO	1SNA 399 771 R1400

Characteristics

Wire size		IEC		UL	CSA
		NFC	DIN		
Screw	Rigid	0,2-4 mm ²	22-10 AWG	22-10 AWG	
	Flexible	0,22-4 mm ²	22-10 AWG	22-10 AWG	
ADO	Rigid	1-2,5 mm ²	16-14 AWG	16-14 AWG	
	Flexible	1-2,5 mm ²	16-14 AWG	16-14 AWG	

Voltage		500 V (1)	600 V (1)	600 V (1)
Rated				
Impulse withstand		6 kV		
Pollution degree		3		

Current		6,3 A	10 A	10 A
Rated				

Wire size		2,5 mm ²	10/14 AWG	10/14 AWG
Rated				
Wire stripping length (screw)	Recommended screwdriver	Recommended torque (screw)	Protection	
9,5 mm	4 mm	0,5-0,8 Nm	IP 20	
.37"	.16"	4.4-7.1 lb.in	NEMA 1	

Color	Type	Part number
Grey (1)	D 4/8.SFLT2.I.ADO2	1SNA 399 768 R2100
Grey (2)	D 4/8.SFDT2.I.ADO2	1SNA 399 770 R2700
Grey (3)	D 4/8.SFD1T2.I.ADO2	1SNA 399 772 R1500

Characteristics

Wire size		IEC		UL	CSA
		NFC	DIN		
Screw	Rigid	0,2-4 mm ²	22-10 AWG	22-10 AWG	
	Flexible	0,22-4 mm ²	22-10 AWG	22-10 AWG	
ADO	Rigid	1-2,5 mm ²	16-14 AWG	16-14 AWG	
	Flexible	1-2,5 mm ²	16-14 AWG	16-14 AWG	

Voltage		500 V (1)	600 V (1)	600 V (1)
Rated				
Impulse withstand		6 kV		
Pollution degree		3		

Current		6,3 A	10 A	10 A
Rated				

Section		2,5 mm ²	10/14 AWG	10/14 AWG
Rated				
Wire stripping length (screw)	Recommended screwdriver	Recommended torque (screw)	Protection	
9,5 mm	4 mm	0,5-0,8 Nm	IP 20	
.37"	.16"	4.4-7.1 lb.in	NEMA 1	

Type	Part numbers
FEDAD10 th. 1,5 mm	1SNA 399 758 R2700
FC2 V2 DIA. 2 mm	1SNA 007 865 R2600
PC81 V2 35 A 10 poles	1SNA 173 523 R1100
AD2,5 V2 24 A	1SNA 114 205 R2000
TGA8 2 poles	1SNA 168 672 R1100
TGA8 3 poles	1SNA 168 673 R1200
TGA8 4 poles	1SNA 168 674 R1300
ANT	1SNA 168 675 R1400
FU520 0,5 A	1SNA 008 288 R1500
FU520 1 A	1SNA 008 290 R1300
FU520 2 A	1SNA 008 291 R0000
FU520 3,15 A	1SNA 008 289 R1600
FU520 5 A	1SNA 008 292 R0100
FU525 1,6 A	1SNA 167 546 R2200
FU525 2 A	1SNA 167 547 R2300
FU525 2,5 A	1SNA 167 548 R0400
FU525 4 A	1SNA 167 549 R0500
FU525 6,3 A	1SNA 167 550 R0200
OUMAD	1SNA 179 466 R0600
OUPAD	1SNA 178 944 R0400
OUTAD	1SNA 205 710 R1100
OUTA	1SNA 205 284 R0300
EXAD2	1SNA 205 721 R0000

Type	Part numbers
FEDAD10 th. 1,5 mm	1SNA 399 758 R2700
FC2 V2 DIA. 2 mm	1SNA 007 865 R2600
PC81 V2 35 A 10 poles	1SNA 173 523 R1100
AD2,5 V2 24 A	1SNA 114 205 R2000
TGA8 2 poles	1SNA 168 672 R1100
TGA8 3 poles	1SNA 168 673 R1200
TGA8 4 poles	1SNA 168 674 R1300
ANT	1SNA 168 675 R1400
FU520 0,5 A	1SNA 008 288 R1500
FU520 1 A	1SNA 008 290 R1300
FU520 2 A	1SNA 008 291 R0000
FU520 3,15 A	1SNA 008 289 R1600
FU520 5 A	1SNA 008 292 R0100
FU525 1,6 A	1SNA 167 546 R2200
FU525 2 A	1SNA 167 547 R2300
FU525 2,5 A	1SNA 167 548 R0400
FU525 4 A	1SNA 167 549 R0500
FU525 6,3 A	1SNA 167 550 R0200
OUMAD	1SNA 179 466 R0600
OUPAD	1SNA 178 944 R0400
OUTAD	1SNA 205 710 R1100
OUTA	1SNA 205 284 R0300
EXAD2	1SNA 205 721 R0000

- (1) Blown-fuse indicator by 110 V - 230 V neon lamp (leakage current with neon lamp < 0,5 mA (110 V) - < 0,7 mA (230 V)).
- (2) Blown-fuse indicator by LED 24 V (+24V labeled) (leakage current with LED 24 V or 48 V < 4,5 mA).
- (3) Blown-fuse indicator by LED 48 V (+48V labeled) (leakage current with LED 24 V or 48 V < 4,5 mA).

RC810 RCAL85 RC610 on grip

(1) Terminal block insulation voltage.
Working voltage according to fuse.

RC810 RCAL85 RC610 on grip