

**Terminal blocks
Insulation
Displacement
with safety connection
ADO - Screw clamp**

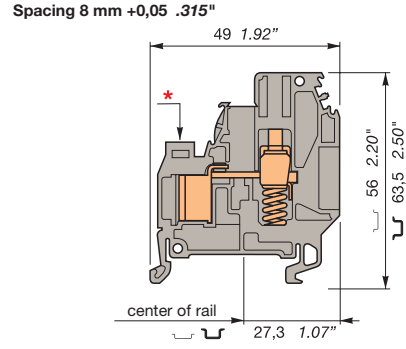


DIN 3

ADO side
1 - 2,5 mm²
16 - 14 AWG

Screw side
0,5 - 6 mm²
20 - 10 AWG

D 6/8.ADO.RS



Screw clamp terminal for bare wire or equipped with bent lug and ADO wire size.

Colour Type Part numbers

Grey **D 6/8.ADO.RS** 1SNA 399 632 R0100



Accessories

- 1 End section grey
- 2 Test socket
- 3 Test plug
- 4 Assembled jumper bar (without IP20 protection)
- 5 Assembled jumper bar (with IP20 protection)
- 6 Jumper bar not assembled Post + washer + captive screw IP20

- 9 Pivoting jumper bar
- 10 Connector plate
- 11 IDC jumper
- 12 Hand tool kit
- 13 Semi-automatic tool
- 14 Pneumatic tool kit
- 15 Replacement head kit
- 16 Bridging plug
- 17 Extraction tool kit
- 18 Test connector

Type Part number

FEADRS	th. 3 mm	1SNA 296 079 R0300
AL2 (1)	DIA. 2 mm	1SNA 163 043 R2100
AL3 (1)	DIA. 3 mm	1SNA 163 261 R0000
AL4 (1)	DIA. 4 mm	1SNA 163 240 R1700
FC2 (2)	DIA. 2 mm	1SNA 007 865 R2600
FC4 (2)	DIA. 4 mm	1SNA 167 860 R0100
BJM8 (1) 41 A	2 poles	1SNA 168 520 R0500
BJM8 (1) 41 A	3 poles	1SNA 168 521 R2200
BJM8 (1) 41 A	4 poles	1SNA 168 522 R2300
BJM8 (1) 41 A	5 poles	1SNA 168 523 R2400
BJM8 (1) 41 A	10 poles	1SNA 168 974 R0000
BJM18 (1) 41 A	2 poles	1SNA 176 669 R1600
BJM18 (1) 41 A	3 poles	1SNA 176 670 R1300
BJM18 (1) 41 A	4 poles	1SNA 176 671 R0000
BJM18 (1) 41 A	5 poles	1SNA 176 672 R0100
BJM18 (1) 41 A	10 poles	1SNA 176 673 R0200
BJS8 41 A	20 poles	1SNA 174 789 R0500
EV6I		1SNA 206 394 R0200
BJP8 (1)(3) 50 A		1SNA 174 448 R0700
EL6 (3) 35 A		1SNA 173 627 R2100
AD2,5 24 A		1SNA 114 205 R2000
OUMAD		1SNA 179 466 R0600
OUPAD		1SNA 178 944 R0400
OUTAD		1SNA 205 710 R1100
OUTA		1SNA 205 284 R0300
BP8.A4 (with AL4)		1SNA 173 888 R2000
EXAD2		1SNA 205 721 R0000
CEADO.8		1SNA 399 348 R2400
CEADOE		1SNA 399 341 R1500

End stop	th. 9 mm	BADL	V0	1SNA 399 903 R0200
End stop	th. 10 mm	BAM2	V2	1SNA 206 351 R1600
End stop	th. 10 mm	BAM2 V0	V0	1SNA 399 967 R0100
Rail	35 x 7,5 x 1	PR3.Z2		1SNA 174 300 R1700
Rail	35 x 15 x 2,3	PR4		1SNA 168 500 R1200
Rail	35 x 15 x 1,5	PR5		1SNA 168 700 R2200

Other end stops, rails and accessories : see section on accessories.

Characteristics

Wire size			
	IEC	BS	UL/CSA
	NFC DIN	TS 50.18	
Rigid	0,5-10 mm ²		20-10 AWG
Screw Flexible	0,5-6 mm ²		20-10 AWG
Lugs Flexible		0,28-2,5 mm ²	
ADO Rigid	1-2,5 mm ²		16-14 AWG
ADO Flexible	1-2,5 mm ²		16-14 AWG
Voltage			
Rated	800 V	500 V	600 V
Impulse withstand	8 kV		
Pollution degree	3		
Current			
Rated	24 A	25 A	20 A
Wire size			
Rated	2,5 mm ²		10/14 AWG
Wire stripping length (screw)	Recommended screwdriver	Recommended torque (screw)	Protection
13 mm	4 - 5 mm	0,8-1 Nm	IP 20
.51"	.157" - .197"	7.1-8.9 lb.in	NEMA 1

Notes

The use of some accessories may decrease the block's voltage rating. For more information, consult us.
ADO side : permits connection of 2 wires max. of the same gage and nature.

* Black marking + 2 notches for wire size 1 - 2,5 mm² (16 - 14 AWG)

R See section on markers marking method

(1) 500 V (IEC) rated voltage with these accessories. (2) Forbidden under explosive atmosphere EEX usage. (3) Only certified for "i" security. (4) See "Notes".

Each screw-clamp holds 2 bent lugs, as above (not supplied), for connection of wires :
0,28 to 1,5 mm² / 1 to 2,5 mm²

A = 4,45 to 7,45 for size 1
2,9 to 3,2 for size 2