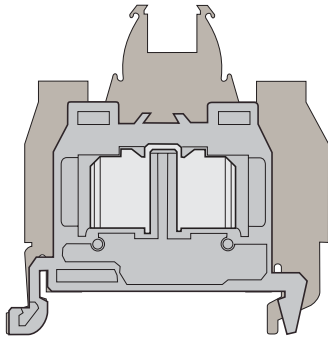
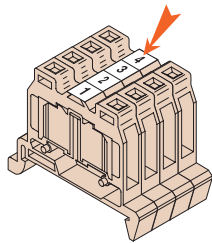


ADO MINI BLOCKS

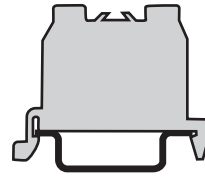
A reduced size range



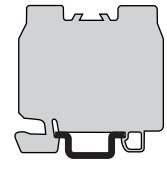
A very legible marking



Numerous mounting options
DIN Rail

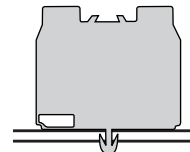


DS=DIN3

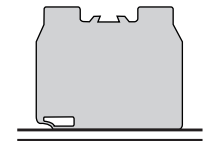


DR=DIN2

Plate



DH = snap-in

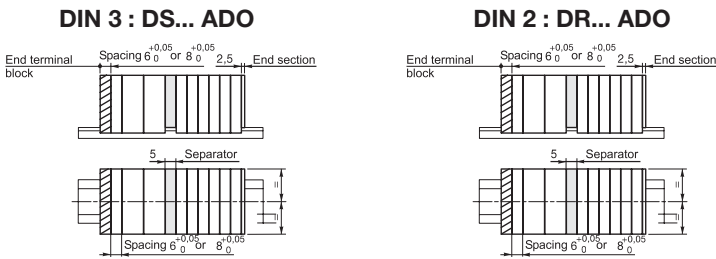


DB = base mount

ADO mini blocks use the same marking technique as standard ENTRELEC terminals, located on the top of the block.

MINI BLOCKS ASSEMBLY AND ACCESSORIES

Rail mounted DIN 2 and DIN 3 :



At the end of the terminal blocks assembly :

- **End section :** (same accessory for any type of terminal block assembly)

FEAD1 : V/ADO
FEAD2 : ADO/ADO
End section to be mounted directly on the open part of the terminal block.

- **End terminal block :**

DRE... ADO (DIN2)
DSE... ADO (DIN3)
This terminal block has to be mounted at the end of the terminal blocks assembly : it reduces its size, because it suppresses the insulation rib (- 4 mm).
Nota : This terminal block cannot be accidentally located anywhere else into the terminal block assembly (without locking holes).

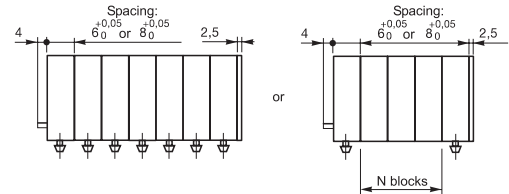
In the terminal blocks assembly :

- **Separator :** (same accessory for any type of terminal block assembly)

FEAD5 : V/ADO
FEAD6 : ADO/ADO
Accessory which snaps on the terminal blocks, separates and makes visible the different parts of the terminal blocks assembly.

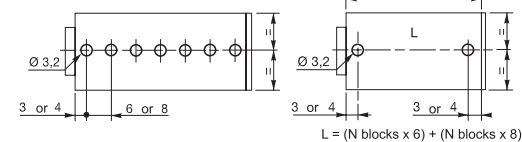
Panel mounted with snap in mounting foot :

Snap in : DH... ADO

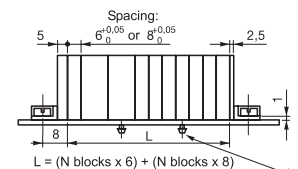


Drilling
(plate thickness 0.6 mm to 1.2 mm)

N blocks = 3 blocks max. with 6 mm spacing
2 blocks max. with 8 mm spacing



With screw mounting kit : DB... ADO



Drilling
(plate thickness 0.6 to 1.2 mm)

2 holes Ø 3.2
for 3 mm screw max.
with cylindrical head
(not provided)

Intermediate mounting of DH blocks
every 2 blocks (spacing 8mm)
or 3 blocks (spacing 6mm)

Miniblocks Insulation Displacement



ADO - Screw clamp

DIN 3



Ex refer to the section "Special Applications" for part numbers and characteristics.

End stop		th. 9 mm	BADL	V0	1SNA 399 903 R0200
End stop		th. 10 mm	BAM2	V2	1SNA 206 351 R1600
End stop		th. 10 mm	BAM2 V0	V0	1SNA 399 967 R0100
Rail		35 x 7,5 x 1	PR3.Z2		1SNA 174 300 R1700
Rail		35 x 15 x 2,3	PR4		1SNA 168 500 R1200
Rail		35 x 15 x 1,5	PR5		1SNA 168 700 R2200

Other end stops, rails and accessories : see section on accessories.

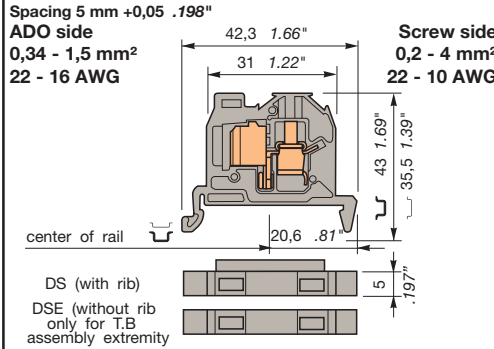
Observations

Standard blocks 5 and 6 mm. For multiple wires connections, the two wires need to be of the same gage and nature (rigid or flexible). Terminal block body material is UL 94 V0.

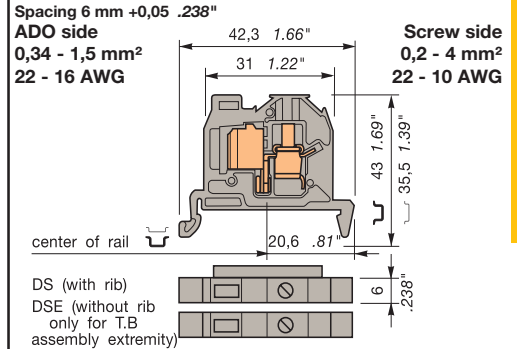
Accessories

	1 End section	grey	FEAD1	V0	th. 2,5 mm	1SNA 199 421 R1600
		orange	FEAD1	V0	th. 2,5 mm	1SNA 199 422 R1700
	2 Separator	grey	FEAD5	V0	th. 5,0 mm	1SNA 199 433 R1200
		orange	FEAD5	V0	th. 5,0 mm	1SNA 199 434 R1300
	3 Test device	yellow	DCB			1SNA 105 028 R2100
		blue	FC2		DIA. 2 mm	1SNA 007 865 R2600
	4 Test plug		BJADO5.2	17,5 A	2 poles	1SNA 205 955 R0300
	5 Screwless jumper bar to be inserted into ADO jaw orange IP20		BJADO5.3	17,5 A	3 poles	1SNA 205 956 R0400
			BJADO5.4	17,5 A	4 poles	1SNA 205 957 R0500
			BJADO5.5	17,5 A	5 poles	1SNA 205 958 R1600
			BJADO5.10	17,5 A	10 poles	1SNA 205 963 R0300
			BJADO5.20	17,5 A	20 poles	1SNA 205 973 R0500
	6 Comb-type jumper bar		PC5	30 A	2 poles	1SNA 113 542 R1000
			PC5	30 A	10 poles	1SNA 113 544 R1200
	7 Insulating tip		EIP			1SNA 113 550 R2400
	8 Hand tool kit		OUMAD			1SNA 179 466 R0600
	9 Semi-automatic tool		OUPAD			1SNA 178 944 R0400
	10 Pneumatic tool kit		OUTAD			1SNA 205 710 R1100
	11 Replacement head kit		OUTA			1SNA 205 284 R0300
	12 Extractions tool kit		EXAD2			1SNA 205 721 R0000
			CEADO.5			1SNA 399 345 R1100
			CEADOE			1SNA 399 341 R1500
	R See section on markers marking method					

DS 2,5/5.ADO



DS 4/6.ADO



Colour	Type	Part numbers
Grey	DS 2,5/5.ADO	1SNA 399 514 R2300
Blue	DS 2,5/5.N.ADO	1SNA 399 516 R2500
Orange	DS 2,5/5.ADO	1SNA 399 515 R2400
Grey	DSE 2,5/5.ADO	1SNA 399 518 R0700

Colour	Type	Part numbers
Grey	DS 4/6.ADO	1SNA 299 489 R0700
Blue	DS 4/6.N.ADO	1SNA 299 491 R2100
Orange	DS 4/6.ADO	1SNA 299 490 R0400
Grey	DSE 4/6.ADO	1SNA 299 556 R0100

Characteristics

Wire size	IEC		UL/CSA
	NFC	DIN	
Screw	Rigid	0,2 - 4 mm ²	22-12 AWG
	Standed	0,22-2,5 mm ²	22-12 AWG
ADO	Rigid	0,2-1 mm ²	24-18 AWG
	Standed	0,22-1 mm ²	24-18 AWG

Characteristics

Wire size	IEC		UL/CSA
	NFC	DIN	
Screw	Rigid	0,2 - 4 mm ²	22-10 AWG
	Standed	0,22-4 mm ²	22-10 AWG
ADO	Rigid	0,28-1,5 mm ²	22-16 AWG
	Standed	0,34-1,5 mm ²	22-16 AWG

Voltage

Rated	800 V	600 V
Impulse withstand	8 kV	
Pollution degree	3	

Voltage

Rated	800 V	600 V
Impulse withstand		
Pollution degree	3	

Current

Rated	13,5 A	10 A
-------	--------	------

Current

Rated	17,5 A	20 A
-------	--------	------

Wire size

Rated / Gauge	1 mm ²		18 AWG
Wire stripping length	Recommended screwdriver	Recommended torque	Protection
9,5 mm	3,5 mm	0,4-0,6 Nm	IP 20
.37"	.137"	3.5-5.3 lb.in	NEMA 1

Wire size

Rated / Gauge	1,5 mm ²		16-10 AWG
Wire stripping length	Recommended screwdriver	Recommended torque	Protection
9,5 mm	4 mm	0,5-0,8 Nm	IP 20
.37"	.16"	4.4-7.1 lb.in	NEMA 1

Type				P/N
FEAD1	V0	th. 2,5 mm	1SNA 199 421 R1600	
FEAD1	V0	th. 2,5 mm	1SNA 199 422 R1700	
FEAD5	V0	th. 5,0 mm	1SNA 199 433 R1200	
FEAD5	V0	th. 5,0 mm	1SNA 199 434 R1300	
DCB			1SNA 105 028 R2100	
FC2		DIA. 2 mm	1SNA 007 865 R2600	
BJADO5.2	17,5 A	2 poles	1SNA 205 955 R0300	
BJADO5.3	17,5 A	3 poles	1SNA 205 956 R0400	
BJADO5.4	17,5 A	4 poles	1SNA 205 957 R0500	
BJADO5.5	17,5 A	5 poles	1SNA 205 958 R1600	
BJADO5.10	17,5 A	10 poles	1SNA 205 963 R0300	
BJADO5.20	17,5 A	20 poles	1SNA 205 973 R0500	
PC5	30 A	2 poles	1SNA 113 542 R1000	
PC5	30 A	10 poles	1SNA 113 544 R1200	
EIP			1SNA 113 550 R2400	
OUMAD			1SNA 179 466 R0600	
OUPAD			1SNA 178 944 R0400	
OUTAD			1SNA 205 710 R1100	
OUTA			1SNA 205 284 R0300	
EXAD2			1SNA 205 721 R0000	
CEADO.5			1SNA 399 345 R1100	
CEADOE			1SNA 399 341 R1500	
On top of block			RC65	

Type				P/N
FEAD1	V0	th. 2,5 mm	1SNA 199 421 R1600	
FEAD1	V0	th. 2,5 mm	1SNA 199 422 R1700	
FEAD5	V0	th. 5,0 mm	1SNA 199 433 R1200	
FEAD5	V0	th. 5,0 mm	1SNA 199 434 R1300	
DCJ			1SNA 173 059 R0300	
FC2		DIA. 2 mm	1SNA 007 865 R2600	
BJADO6.2	17,5 A	2 poles	1SNA 205 974 R0600	
BJADO6.3	17,5 A	3 poles	1SNA 205 975 R0700	
BJADO6.4	17,5 A	4 poles	1SNA 205 976 R0000	
BJADO6.5	17,5 A	5 poles	1SNA 205 977 R0100	
BJADO6.10	17,5 A	10 poles	1SNA 205 982 R2700	
BJADO6.20	17,5 A	20 poles	1SNA 205 992 R2100	
PC6	35 A	2 poles	1SNA 113 546 R1400	
PC6	35 A	3 poles	1SNA 116 536 R0500	
PC6	35 A	4 poles	1SNA 116 537 R0600	
PC6	35 A	10 poles	1SNA 113 548 R2600	
EIP			1SNA 113 550 R2400	
OUMAD			1SNA 179 466 R0600	
OUPAD			1SNA 178 944 R0400	
OUTAD			1SNA 205 710 R1100	
OUTA			1SNA 205 284 R0300	
EXAD2			1SNA 205 721 R0000	
CEADO.6			1SNA 399 346 R1200	
CEADOE			1SNA 399 341 R1500	
On top of block			RC65	

Miniblocks Insulation Displacement



ADO - Screw clamp

DIN 3



End stop		th. 9 mm	BADL	V0	1SNA 399 903 R0200
End stop		th. 10 mm	BAM2	V2	1SNA 206 351 R1600
End stop		th. 10 mm	BAM2 V0	V0	1SNA 399 967 R0100
Rail		35 x 7,5 x 1	PR3.Z2		1SNA 174 300 R1700
Rail		35 x 15 x 2,3	PR4		1SNA 168 500 R1200
Rail		35 x 15 x 1,5	PR5		1SNA 168 700 R2200

Other end stops, rails and accessories : see section on accessories.

Observations

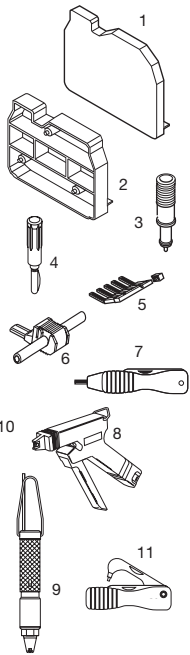
Terminal block body material is UL 94 V0.

DS 4/8.ADO block : for multiple wire connections, the two wires need to be of the **same gage and nature** (rigid or flexible).

DS 4/8.A.ADO3 block : connection of only one rigid or flexible 4 mm² wire.

* Notches to identify 8 mm spacing.

Accessories



1	End section	grey	FEAD1	V0	th. 2,5 mm	1SNA 199 421 R1600
		orange	FEAD1	V0	th. 2,5 mm	1SNA 199 422 R1700
2	Separator	grey	FEAD5	V0	th. 5,0 mm	1SNA 199 433 R1200
		orange	FEAD5	V0	th. 5,0 mm	1SNA 199 434 R1300
3	Test device	yellow	DCJ	V2		1SNA 173 059 R0300
4	Test plug		FC2		DIA. 2 mm	1SNA 007 865 R2600
5	Comb-type jumper bar		PC8	V2	50 A 2 poles	1SNA 116 538 R1700
			PC8	V2	50 A 3 poles	1SNA 116 539 R1000
			PC8	V2	50 A 4 poles	1SNA 116 540 R2500
			PC8	V2	50 A 10 poles	1SNA 163 313 R2400
6	IDC jumper		AD2,5	V2		1SNA 114 205 R2000
7	Hand tool kit		OUMAD			1SNA 179 466 R0600
8	Semi automatic tool		OUPAD			1SNA 178 944 R0400
9	Pneumatic tool kit		OUTAD			1SNA 205 710 R1100
10	Replacement head kit		OUTA			1SNA 205 284 R0300
11	Extraction tool kit		EXAD2			1SNA 205 721 R0000

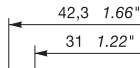
R See section on markers marking method



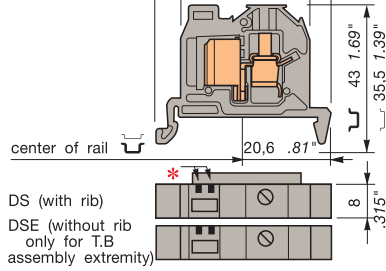
DS 4/8.ADO

Spacing 8 mm +0,05 .315"

ADO side
1 - 2,5 mm²
16 - 14 AWG



Screw side
0,2 - 4 mm²
22 - 10 AWG

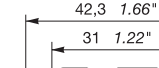


DS (with rib)
DSE (without rib only for T.B assembly extremity)

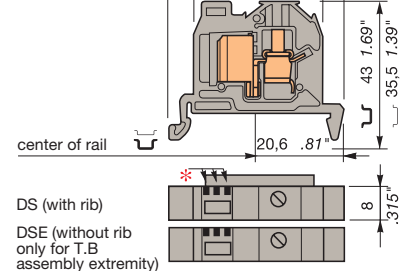
DS 4/8.A.ADO3

Spacing 8 mm +0,05 .238"

ADO side
4 mm²
12 AWG



Screw side
0,2 - 4 mm²
22 - 12 AWG



DS (with rib)
DSE (without rib only for T.B assembly extremity)



Colour	Type	Part numbers
Grey	DS 4/8.ADO	1SNA 299 493 R2300
Blue	DS 4/8.N.ADO	1SNA 299 495 R2500
Orange	DS 4/8.ADO	1SNA 299 494 R2400
Grey	DSE 4/8.ADO	1SNA 299 557 R0200

Colour	Type	Part numbers
Grey	DS 4/8.A.ADO3	1SNA 399 429 R0600
Blue	DS 4/8.A.N.ADO3	1SNA 399 431 R2000
Orange	DS 4/8.A.ADO3	1SNA 399 430 R0300
Grey	DSE 4/8.A.ADO3	1SNA 399 433 R2200

Characteristics

Wire size	IEC		UL/CSA
	NFC	DIN	
Screw	Rigid	0,2 - 4mm ²	22-10 AWG
	Standed	0,22-4 mm ²	22-10 AWG
ADO	Rigid	1-2,5 mm ²	16-14 AWG
	Standed	1-2,5 mm ²	16-14 AWG

Voltage

Rated	1000 V	600 V
Impulse withstand		
Pollution degree	3	

Current

Rated	24 A	25 A
-------	------	------

Wire size

Rated / Gauge	2,5 mm ²		14-10 AWG
Wire stripping length	Recommended screwdriver	Recommended torque	Protection
9,5 mm	4 mm	0,5 - 0,8 Nm	IP 20
.37"	.16"	4.4 - 7.1 lb.in	NEMA 1

Characteristics

Wire size	IEC		UL/CSA
	NFC	DIN	
Screw	Rigid	0,2 - 4mm ²	22-12 AWG
	Standed	0,22-4 mm ²	22-12 AWG
ADO	Rigid	4 mm ²	12 AWG
	Standed	4 mm ²	12 AWG

Voltage

Rated	1000 V	
Impulse withstand		
Pollution degree	3	

Current

Rated	32 A	
-------	------	--

Wire size

Rated / Gauge	4 mm ²		12 AWG
Wire stripping length	Recommended screwdriver	Recommended torque	Protection
9,5 mm	4 mm	0,5 - 0,8 Nm	IP 20
.37"	.16"	4.4 - 7.1 lb.in	NEMA 1

Type	P/N			
FEAD1	V0	th. 2,5 mm	1SNA 199 421 R1600	
FEAD1	V0	th. 2,5 mm	1SNA 199 422 R1700	
FEAD5	V0	th. 5,0 mm	1SNA 199 433 R1200	
FEAD5	V0	th. 5,0 mm	1SNA 199 434 R1300	
DCJ	V2		1SNA 173 059 R0300	
FC2		DIA. 2 mm	1SNA 007 865 R2600	
PC8	V2	50 A 2 poles	1SNA 116 538 R1700	
PC8	V2	50 A 3 poles	1SNA 116 539 R1000	
PC8	V2	50 A 4 poles	1SNA 116 540 R2500	
PC8	V2	50 A 10 poles	1SNA 163 313 R2400	
AD2,5	V2		1SNA 114 205 R2000	
OUMAD			1SNA 179 466 R0600	
OUPAD			1SNA 178 944 R0400	
OUTAD			1SNA 205 710 R1100	
OUTA			1SNA 205 284 R0300	
EXAD2			1SNA 205 721 R0000	

On top of block RCAL85

**Miniblocks
Insulation Displacement
ADO - Screw clamp for
ground terminal blocks not
electrically connected to the
mounting rail**

DIN 3



Other accessories of this terminal blocks:
see pages of same size standard blocks.
* Notches to identify 8 mm spacing

Characteristics		IEC	DIN	UL/CSA	
Wire size	Screw	Rigid	0,2 - 4 mm ²	24-12 AWG	
	Flexible		0,22 - 2,5 mm ²	24-12 AWG	
ADO	Rigid		0,2-1 mm ²	24-18 AWG	
	Flexible		0,22-1 mm ²	24-18 AWG	
Rated current short-circuit		120 A/1 s.			
Rated wire size nominal / gauge		1 mm ² / 18 AWG			
Other characteristics					
Wire strip. length		9,5 mm	3,5 mm	0,4-0,6 Nm	
Recomm. screwdriver		.37"	.137"	3,5-5,3 lb.in	
Protection		IP20			
NEMA 1		NEMA 1			
Approvals					
Accessories		Type	P/N		
1 End section	grey	FEAD1 V0 th. 2,5 mm	1SNA 199 421 R1600		
	orange	FEAD1 V0 th. 2,5 mm	1SNA 199 422 R1700		
R See section on markers	mode	On top	RC65		

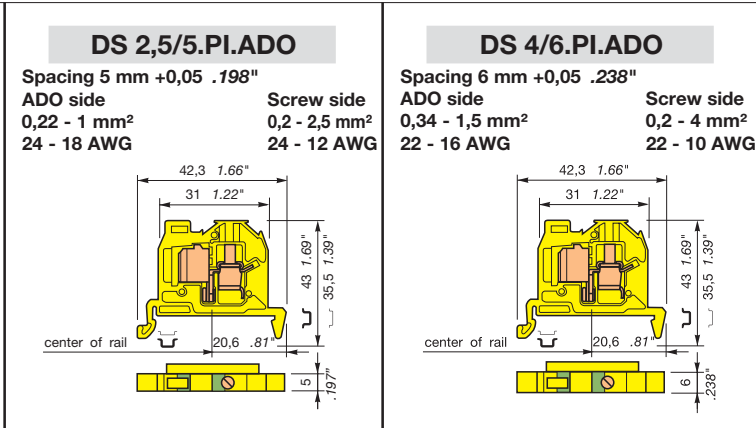
**Miniblocks
Insulation Displacement
ADO - Screw clamp for
ground terminal blocks not
electrically connected to the
mounting rail**

DIN 3

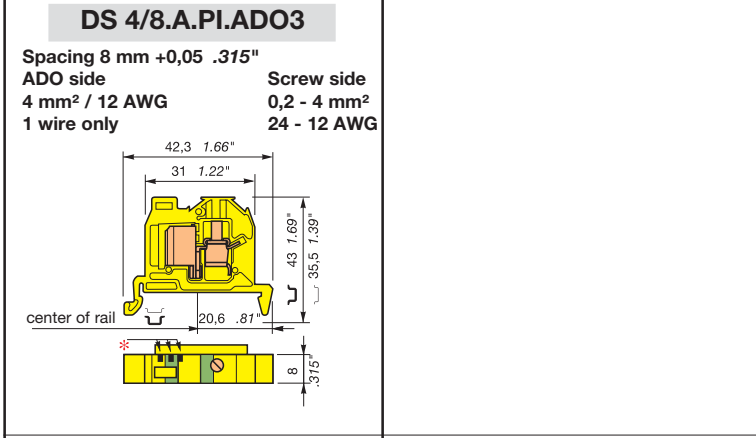


Other accessories of this terminal blocks:
see pages of same size standard blocks.
* Notches to identify 8 mm spacing

Characteristics		NFC	IEC	DIN	UL/CSA
Wire size	Screw	Rigid	0,2 - 4 mm ²		24-12 AWG
	Flexible		0,22 - 4 mm ²		24-12 AWG
ADO	Rigid		4 mm ²		12 AWG
	Flexible		4 mm ²		12 AWG
Rated current short-circuit		480 A/1 s.			
Rated wire size nominal / gauge		4 mm ² / 12 AWG			
Other characteristics					
Wire strip. length		9,5 mm	4 mm	0,8-0,8 Nm	IP20
Recomm. screwdriver		.37"	.16"	4-7,1 lb.in	NEMA 1
Approvals					
Accessories		Type	P/N		
1 End section	grey	FEAD1 V0 th. 2,5 mm	1SNA 199 421 R1600		
	orange	FEAD1 V0 th. 2,5 mm	1SNA 199 422 R1700		
R See section on markers	mode	On top	RCAL85		



Type	P/N			Type	P/N			Type	P/N		
Yellow body / green marking	1SNA 399 517 R2600			Yellow body / green marking	1SNA 299 492 R2200			Yellow body / green marking	1SNA 299 496 R2600		



Type	P/N			Type	P/N			Type	P/N		
Yellow body / green marking	1SNA 399 432 R2100										

Characteristics		NFC	IEC	DIN	UL/CSA	IEC	DIN	UL	CSA	IEC	DIN	UL	CSA
Wire size	Screw	Rigid	0,2 - 4 mm ²		24-12 AWG								
	Flexible		0,22 - 4 mm ²		24-12 AWG								
ADO	Rigid		4 mm ²		12 AWG								
	Flexible		4 mm ²		12 AWG								
Rated current short-circuit		480 A/1 s.											
Rated wire size nominal / gauge		4 mm ² / 12 AWG											
Other characteristics													
Wire strip. length		9,5 mm	4 mm	0,8-0,8 Nm	IP20								
Recomm. screwdriver		.37"	.16"	4-7,1 lb.in	NEMA 1								
Approvals													
Accessories		Type	P/N			Type	P/N			Type	P/N		
1 End section	grey	FEAD1 V0 th. 2,5 mm	1SNA 199 421 R1600										
	orange	FEAD1 V0 th. 2,5 mm	1SNA 199 422 R1700										
R See section on markers	mode	On top	RCAL85										

Miniblocks Insulation Displacement ADO - Screw clamp for ground terminal blocks electrically connected to the mounting rail

DIN 3



Other accessories of this terminal blocks:
see pages of same size standard blocks.

* Notches to identify 8 mm spacing

Characteristics		IEC		UL/CSA		IEC		UL/CSA		IEC		UL	CSA
		NFC	DIN			NFC	DIN	NFC	DIN	NFC	DIN		
Wire size	Screw	0,2-4 mm ²		22-10 AWG		0,2-4 mm ²		24-12 AWG					
	ADO	1-2,5 mm ²		16-14 AWG		4 mm ²		12 AWG					
Rated current short-circuit		300 A / 1 s.				480 A/1 s.							
Rated wire size nominal / gauge				2,5 mm ²		4 mm ²		12 AWG					
Other characteristics		Wire strip. length	Recomm. screwdriver	Recomm. torque	Protection	Wire strip. length	Recomm. screwdriver	Recomm. torque	Protection	Wire strip. length	Recomm. screwdriver	Recomm. torque	Protection
		9,5 mm .37"	4 mm .16"	0,5-0,8 Nm 4-7.1 lb.in	IP20 NEMA 1	9,5 mm .37"	4 mm .16"	0,5-0,8 Nm 4-7.1 lb.in	IP20 NEMA 1				
Approvals													

Accessories	Type	P/N	Type	P/N	Type	P/N
-------------	------	-----	------	-----	------	-----

Characteristics		IEC		UL		CSA		IEC		UL		CSA	
		NFC	DIN			NFC	DIN			NFC	DIN		
Wire size	Screw	0,2-4 mm ²		22-10 AWG		0,2-4 mm ²		24-12 AWG					
	ADO	1-2,5 mm ²		16-14 AWG		4 mm ²		12 AWG					
Rated current short-circuit		300 A / 1 s.				480 A/1 s.							
Rated wire size nominal / gauge				2,5 mm ²		4 mm ²		12 AWG					
Other characteristics		Wire strip. length	Recomm. screwdriver	Recomm. torque	Protection	Wire strip. length	Recomm. screwdriver	Recomm. torque	Protection	Wire strip. length	Recomm. screwdriver	Recomm. torque	Protection
		9,5 mm .37"	4 mm .16"	0,5-0,8 Nm 4-7.1 lb.in	IP20 NEMA 1	9,5 mm .37"	4 mm .16"	0,5-0,8 Nm 4-7.1 lb.in	IP20 NEMA 1				
Approvals													
Accessories	Type	P/N	Type	P/N	Type	P/N							

Characteristics		IEC		UL		CSA		IEC		UL		CSA	
		NFC	DIN			NFC	DIN			NFC	DIN		
Wire size	Screw	0,2-4 mm ²		22-10 AWG		0,2-4 mm ²		24-12 AWG					
	ADO	1-2,5 mm ²		16-14 AWG		4 mm ²		12 AWG					
Rated current short-circuit		300 A / 1 s.				480 A/1 s.							
Rated wire size nominal / gauge				2,5 mm ²		4 mm ²		12 AWG					
Other characteristics		Wire strip. length	Recomm. screwdriver	Recomm. torque	Protection	Wire strip. length	Recomm. screwdriver	Recomm. torque	Protection	Wire strip. length	Recomm. screwdriver	Recomm. torque	Protection
		9,5 mm .37"	4 mm .16"	0,5-0,8 Nm 4-7.1 lb.in	IP20 NEMA 1	9,5 mm .37"	4 mm .16"	0,5-0,8 Nm 4-7.1 lb.in	IP20 NEMA 1				
Approvals													
Accessories	Type	P/N	Type	P/N	Type	P/N							

Miniblocks Insulation Displacement ADO - Screw clamp

DIN 2



refer to the section "Special Applications" for part numbers and characteristics.

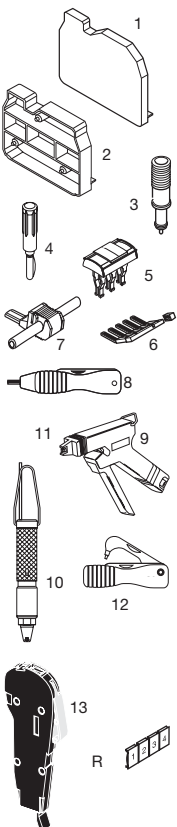
End stop	th. 6,5 mm	BADRL	V0	1SNA 199 420 R2100
Rail	15 x 5 x 1	PR2		1SNA 164 600 R1200

Other end stops, rails and accessories : see section on accessories.

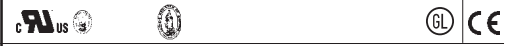
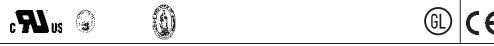
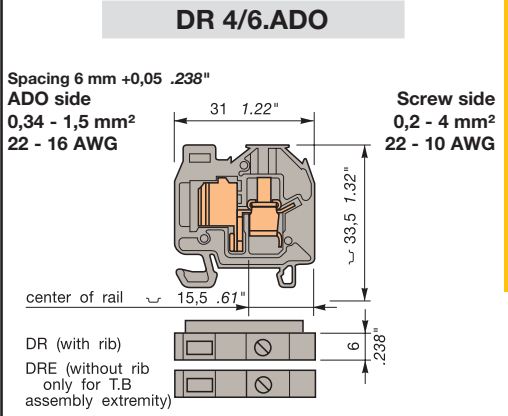
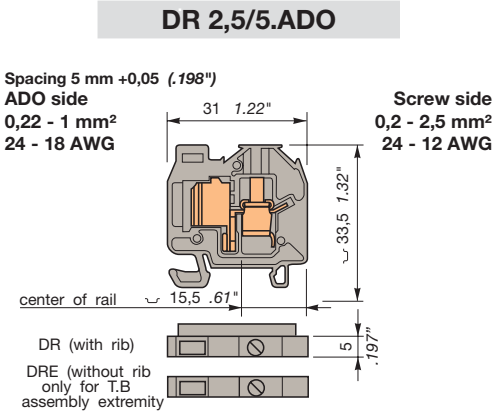
Notes

Standard blocks 5 and 6 mm. For multiple wires connections, the two wires need to be of the same gage and nature (rigid or flexible). Terminal block body material is UL 94 V0.

Accessories



1 End section	grey	FEAD1	V0	th. 2,5 mm	1SNA 199 421 R1600
	orange	FEAD1	V0	th. 2,5 mm	1SNA 199 422 R1700
2 Separator	grey	FEAD5	V0	th. 5,0 mm	1SNA 199 433 R1200
	orange	FEAD5	V0	th. 5,0 mm	1SNA 199 434 R1300
3 Test device	blue	DCB			1SNA 105 028 R2100
4 Test plug		FC2		DIA.2 mm	1SNA 007 865 R2600
5 Screwless jumper bar	orange IP20	BJADO5.2	17,5 A	2	1SNA 205 955 R0600
		BJADO5.3	17,5 A	3 poles	1SNA 205 956 R0400
		BJADO5.4	17,5 A	4 poles	1SNA 205 957 R0500
		BJADO5.5	17,5 A	5 poles	1SNA 205 958 R1600
		BJADO5.10	17,5 A	10 poles	1SNA 205 963 R0300
		BJADO5.20	17,5 A	20 poles	1SNA 205 973 R0500
6 Comb-type jumper bar		PC5	30 A	2 poles	1SNA 113 542 R1000
	Insulation tip	PC5	30 A	10 poles	1SNA 113 544 R1200
		EIP	V2		1SNA 113 550 R2400
7 IDC jumper		AD2,5	V2		1SNA 114 205 R2000
8 Hand tool kit		OUMAD			1SNA 179 466 R0600
9 Semi automatic tool		OUPAD			1SNA 178 944 R0400
10 Pneumatic tool kit		OUTAD			1SNA 205 710 R1100
11 Replacement head kit		OUTA			1SNA 205 284 R0300
12 Extraction tool kit		EXAD2			1SNA 205 721 R0000
13 Test connector		CEADO.5			1SNA 399 345 R1100
		CEADOE			1SNA 399 341 R1500
R See section on markers marking method					



Colour	Type	Part numbers
Grey	DR 2,5/5.ADO	1SNA 399 509 R1700
Blue	DR 2,5/5.N.ADO	1SNA 399 511 R2000
Orange	DR 2,5/5.ADO	1SNA 399 510 R0300
Grey	DRE 2,5/5.ADO	1SNA 399 513 R2200

Colour	Type	Part numbers
Grey	DR 4/6.ADO	1SNA 199 275 R0300
Blue	DR 4/6.N.ADO	1SNA 199 277 R0500
Orange	DR 4/6.ADO	1SNA 199 276 R0400
Grey	DRE 4/6.ADO	1SNA 299 552 R0500

Characteristics

Wire size	IEC		UL/CSA
	NFC	DIN	
Screw	Rigid	0,2 - 4 mm ²	24-12 AWG
	Flexible	0,22-2,5 mm ²	24-12 AWG
ADO	Rigid	0,2-1 mm ²	24-18 AWG
	Flexible	0,22-1 mm ²	24-18 AWG

Characteristics

Wire size	IEC		UL/CSA
	NFC	DIN	
Screw	Rigid	0,2 - 4 mm ²	22-10 AWG
	Flexible	0,22-4 mm ²	22-10 AWG
ADO	Rigid	0,28-1,5 mm ²	22-16 AWG
	Flexible	0,34-1,5 mm ²	22-16 AWG

Voltage

Rated	800 V	600 V
Impulse withstand	8 kV	
Pollution degree	3	

Voltage

Rated	800 V	600 V
Impulse withstand	8 kV	
Pollution degree	3	

Current

Rated	13,5 A	10 A
-------	--------	------

Current

Rated	17,5 A	20 A
-------	--------	------

Wire size

Rated / Gauge	1 mm ²		18 AWG
Wire stripping length	Recommended screwdriver	Recommended torque	protection
9,5 mm	3,5 mm	0,4-0,6 Nm	IP 20
.374"	.137"	3.5-5.3 lb.in	NEMA 1

Wire size

Rated / Gauge	1,5 mm ²		16 AWG
Wire stripping length	Recommended screwdriver	Recommended torque	protection
9,5 mm	4 mm	0,5-0,8 Nm	IP 20
.374"	.157"	4.4-7.1 lb.in	NEMA 1

Type

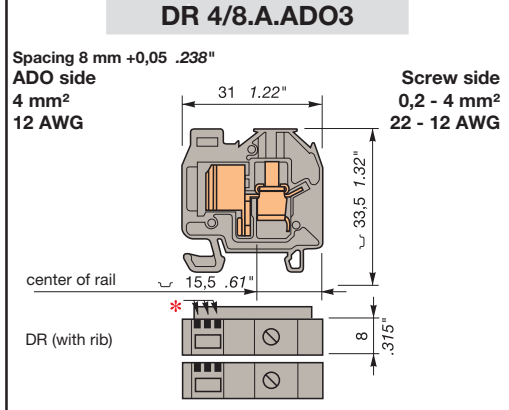
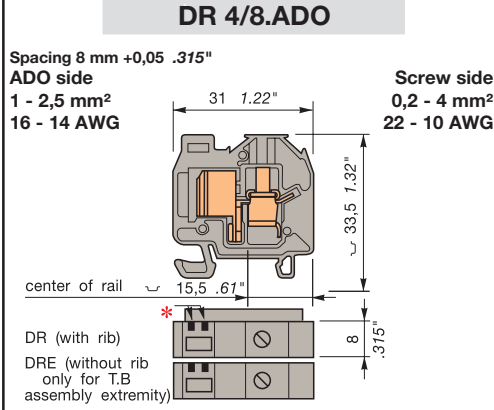
Type	P/N			
On top	RC55			

Type

Type	P/N			
On top	RC65			

Miniblocks Insulation Displacement ADO - Screw clamp

DIN 2



Colour	Type	Part numbers
Grey	DR 4/8.ADO	1SNA 199 279 R1700
Blue	DR 4/8.N.ADO	1SNA 199 281 R2200
Orange	DR 4/8.ADO	1SNA 199 280 R0500
Grey	DRE 4/8.ADO	1SNA 299 553 R0600

Colour	Type	Part numbers
Grey	DR 4/8.A.ADO3	1SNA 399 424 R2100
Blue	DR 4/8.A.N.ADO3	1SNA 399 426 R2300
Orange	DR 4/8.A.ADO3	1SNA 399 425 R2200
Grey	DRE 4/8.A.ADO3	1SNA 399 428 R0500

Characteristics

Wire size	IEC		UL/CSA
	NFC	DIN	
Screw	Rigid	0,2-4 mm ²	22-10 AWG
	Flexible	0,22-4 mm ²	22-10 AWG
ADO	Rigid	1-2,5 mm ²	16-14 AWG
	Flexible	1-2,5 mm ²	16-14 AWG

Characteristics

Wire size	IEC		UL/CSA
	NFC	DIN	
Screw	Rigid	0,2-4 mm ²	22-10 AWG
	Flexible	0,22-4 mm ²	22-10 AWG
ADO	Rigid	4 mm ²	12 AWG
	Flexible	4 mm ²	12 AWG

Voltage

Rated	1000 V	600 V
Impulse withstand	8 kV	
Pollution degree	3	

Voltage

Rated	1000 V	
Impulse withstand		
Pollution degree	3	

Current

Rated	24 A	25 A
-------	------	------

Current

Rated	32 A	
-------	------	--

Wire size

Rated / Gauge	2,5 mm ²		14 AWG
Wire stripping length	Recommended screwdriver	Recommended torque	protection
9,5 mm .374"	4 mm .157"	0,5 - 0,8 Nm 4.4 - 7.1 lb.in	IP 20 NEMA 1

Wire size

Rated / Gauge	4 mm ²		12 AWG
Wire stripping length	Recommended screwdriver	Recommended torque	protection
9,5 mm .374"	4 mm .157"	0,5 - 0,8 Nm 4.4 - 7.1 lb.in	IP 20 NEMA 1

refer to the section "Special Applications" for part numbers and characteristics.

End stop th. 6,5 mm BADRL V0 1SNA 199 420 R2100
Rail 15 x 5 x 1 PR2 1SNA 164 600 R1200
Other end stops, rails and accessories : see section on accessories.

Observations

Terminal block body material is UL 94 V0.
DR 4/8.ADO block : for multiple wire connections, the two wires need to be of the **same gage and nature** (rigid or flexible).
DR 4/8.A.ADO3 block : connection of only one rigid or flexible 4 mm² wire.
** Notches to identify 8 mm spacing.*

Accessories

Type	P/N
1 End section	grey FEAD1 V0 th. 2,5 mm 1SNA 199 421 R1600 orange FEAD1 V0 th. 2,5 mm 1SNA 199 422 R1700
2 Separator	grey FEAD5 V0 th. 5,0 mm 1SNA 199 433 R1200 orange FEAD5 V0 th. 5,0 mm 1SNA 199 434 R1300
3 Test device	yellow DCJ 1SNA 173 059 R0300
4 Test plug	FC2 DIA. 2 mm 1SNA 007 865 R2600
5 Comb-type jumper bar	PC8 50 A 2 poles 1SNA 116 538 R1700 PC8 50 A 3 poles 1SNA 116 539 R1000 PC8 50 A 4 poles 1SNA 116 540 R2500 PC8 50 A 10 poles 1SNA 163 313 R2400
6 IDC jumper	AD2,5 1SNA 114 205 R2000
7 Hand tool kit	OUMAD 1SNA 179 466 R0600
8 Semi automatic tool	OUPAD 1SNA 178 944 R0400
9 Pneumatic tool kit	OUTAD 1SNA 205 710 R1100
10 Replacement head kit	OUTA 1SNA 205 284 R0300
11 Extraction tool kit	EXAD2 1SNA 205 721 R0000
R See section on markers marking method	

Type	P/N
1 End section	grey FEAD1 V0 th. 2,5 mm 1SNA 199 421 R1600 orange FEAD1 V0 th. 2,5 mm 1SNA 199 422 R1700
2 Separator	grey FEAD5 V0 th. 5,0 mm 1SNA 199 433 R1200 orange FEAD5 V0 th. 5,0 mm 1SNA 199 434 R1300
3 Test device	yellow DCJ 1SNA 173 059 R0300
4 Test plug	FC2 DIA. 2 mm 1SNA 007 865 R2600
5 Comb-type jumper bar	PC8 50 A 2 poles 1SNA 116 538 R1700 PC8 50 A 3 poles 1SNA 116 539 R1000 PC8 50 A 4 poles 1SNA 116 540 R2500 PC8 50 A 10 poles 1SNA 163 313 R2400
6 IDC jumper	AD2,5 1SNA 114 205 R2000
7 Hand tool kit	OUMAD 1SNA 179 466 R0600
8 Semi automatic tool	OUPAD 1SNA 178 944 R0400
9 Pneumatic tool kit	OUTAD 1SNA 205 710 R1100
10 Replacement head kit	OUTA 1SNA 205 284 R0300
11 Extraction tool kit	EXAD2 1SNA 205 721 R0000
R See section on markers marking method	

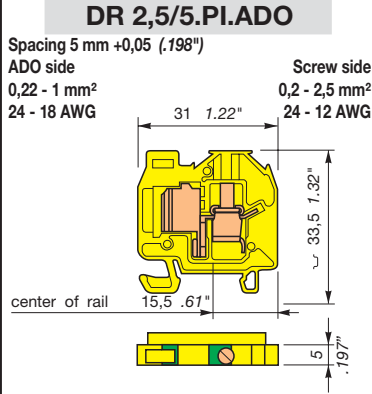
Type	P/N
1 End section	grey FEAD1 V0 th. 2,5 mm 1SNA 199 421 R1600 orange FEAD1 V0 th. 2,5 mm 1SNA 199 422 R1700
2 Separator	grey FEAD5 V0 th. 5,0 mm 1SNA 199 433 R1200 orange FEAD5 V0 th. 5,0 mm 1SNA 199 434 R1300
3 Test device	yellow DCJ 1SNA 173 059 R0300
4 Test plug	FC2 DIA. 2 mm 1SNA 007 865 R2600
5 Comb-type jumper bar	PC8 50 A 2 poles 1SNA 116 538 R1700 PC8 50 A 3 poles 1SNA 116 539 R1000 PC8 50 A 4 poles 1SNA 116 540 R2500 PC8 50 A 10 poles 1SNA 163 313 R2400
6 IDC jumper	AD2,5 1SNA 114 205 R2000
7 Hand tool kit	OUMAD 1SNA 179 466 R0600
8 Semi automatic tool	OUPAD 1SNA 178 944 R0400
9 Pneumatic tool kit	OUTAD 1SNA 205 710 R1100
10 Replacement head kit	OUTA 1SNA 205 284 R0300
11 Extraction tool kit	EXAD2 1SNA 205 721 R0000
R See section on markers marking method	

Miniblocks Insulation Displacement ADO - Screw clamp for ground terminal blocks not electrically connected to the mounting rail

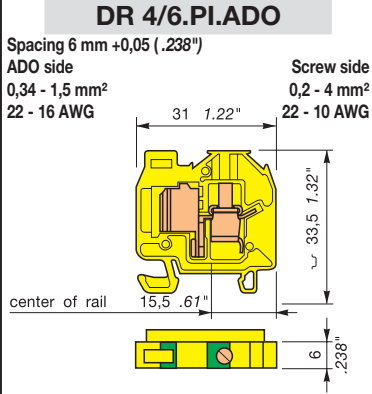


refer to the section "Special Applications" for part numbers and characteristics.

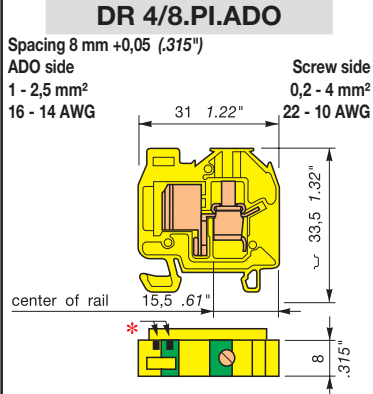
Wire sizes screw side and other accessories of this terminal blocks: see pages of same size standard blocks.
* Notches to identify 8 mm spacing.



Type	Part number
Yellow body / Green marking	DR 2,5/5.PI.ADO 1SNA 399 512 R2100



Type	Part number
Yellow body / Green marking	DR 4/6.PI.ADO 1SNA 199 278 R1600



Type	Part number
Yellow body / Green marking	DR 4/8.PI.ADO 1SNA 199 282 R2300

Characteristics

Wire size	Screw	IEC		UL/CSA		NFC	IEC		UL/CSA		NFC	IEC		UL/CSA			
		DIN	Area	AWG	Area		DIN	Area	DIN	Area		DIN	Area				
Wire size	Rigid	0,2-4 mm ²	24-12 AWG	0,2-4 mm ²	22-10 AWG		0,2-4 mm ²	22-10 AWG		0,2-4 mm ²	22-10 AWG		0,2-4 mm ²	22-10 AWG			
	Flexible	0,22-2,5 mm ²	24-12 AWG	0,22-4 mm ²	22-10 AWG		0,22-4 mm ²	22-10 AWG		1-2,5 mm ²	16-14 AWG		1-2,5 mm ²	16-14 AWG			
ADO	Rigid	0,2-1 mm ²	24-18 AWG	0,28-1,5 mm ²	22-16 AWG		0,28-1,5 mm ²	22-16 AWG		1-2,5 mm ²	16-14 AWG		1-2,5 mm ²	16-14 AWG			
	Flexible	0,22-1 mm ²	24-18 AWG	0,34-1,5 mm ²	22-16 AWG		0,34-1,5 mm ²	22-16 AWG									
Rated current short-circuit		120 A / 1 s.		180 A/1 s.		300 A/1 s.											
Rated wire size nominal / gauge		1 mm ²		18 AWG		1,5 mm ²		16 AWG		2,5 mm ²		2,5 mm ²		2,5 mm ²			
Other characteristics		Wire strip. length	Recomm. screwdriver	Recomm. torque	Protection	Wire strip. length	Recomm. screwdriver	Recomm. torque	Protection	Wire strip. length	Recomm. screwdriver	Recomm. torque	Protection	Wire strip. length	Recomm. screwdriver	Recomm. torque	Protection
		9,5 mm	3,5 mm	0,4-0,6 Nm	IP 20	10 mm	4 mm	0,5-0,8 Nm	IP 20	9,5 mm	4 mm	0,5-0,8 Nm	IP 20	9,5 mm	4 mm	0,5-0,8 Nm	IP 20
		.374"	.137"	3.5-5.3 lb.in	NEMA 1	.394"	.157"	4.4-7.1 lb.in	NEMA 1	.374"	.157"	4.4-7.1 lb.in	NEMA 1	.374"	.157"	4.4-7.1 lb.in	NEMA 1

Approvals	C UL US				CE				C UL US				CE			
-----------	---------	--	--	--	----	--	--	--	---------	--	--	--	----	--	--	--

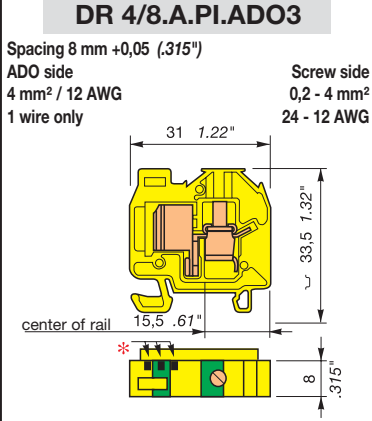
Accessories

Type	Part number	Type	Part number	Type	Part number
1 End section grey orange	FEAD1 V0 th. 2,5 mm 1SNA 199 421 R1600 FEAD1 V0 th. 2,5 mm 1SNA 199 422 R1700	FEAD1 V0 th. 2,5 mm 1SNA 199 421 R1600 FEAD1 V0 th. 2,5 mm 1SNA 199 422 R1700	FEAD1 V0 th. 2,5 mm 1SNA 199 421 R1600 FEAD1 V0 th. 2,5 mm 1SNA 199 422 R1700	FEAD1 V0 th. 2,5 mm 1SNA 199 421 R1600 FEAD1 V0 th. 2,5 mm 1SNA 199 422 R1700	FEAD1 V0 th. 2,5 mm 1SNA 199 421 R1600 FEAD1 V0 th. 2,5 mm 1SNA 199 422 R1700
R See section on markers mode	On top RC55	On top RC65	On top RC65	On top RCAL85	On top RCAL85

Miniblocks Insulation Displacement ADO - Screw clamp for ground terminal blocks not electrically connected to the mounting rail



Wire sizes screw side and other accessories of this terminal blocks: see pages of same size standard blocks.
* Notches to identify 8 mm spacing.



Type	Part number
Yellow body / Green marking	DR 4/8.A.PI.ADO3 1SNA 399 427 R2400

Characteristics

Wire size	Screw	IEC		UL/CSA		NFC	IEC		UL/CSA		NFC	IEC		UL/CSA			
		DIN	Area	AWG	Area		DIN	Area	DIN	Area		DIN	Area				
Wire size	Rigid	0,2-4 mm ²	24-12 AWG	0,2-4 mm ²	24-12 AWG		0,2-4 mm ²	24-12 AWG		0,2-4 mm ²	24-12 AWG		0,2-4 mm ²	24-12 AWG			
	Flexible	0,22-4 mm ²	24-12 AWG	0,22-4 mm ²	24-12 AWG		0,22-4 mm ²	24-12 AWG		0,22-4 mm ²	24-12 AWG		0,22-4 mm ²	24-12 AWG			
ADO	Rigid	4 mm ²	12 AWG	4 mm ²	12 AWG		4 mm ²	12 AWG		4 mm ²	12 AWG		4 mm ²	12 AWG			
	Flexible	4 mm ²	12 AWG	4 mm ²	12 AWG		4 mm ²	12 AWG		4 mm ²	12 AWG		4 mm ²	12 AWG			
Rated current short-circuit		480 A/1 s.		480 A/1 s.		480 A/1 s.		480 A/1 s.		480 A/1 s.		480 A/1 s.		480 A/1 s.			
Rated wire size nominal / gauge		4 mm ²		12 AWG		4 mm ²		12 AWG		4 mm ²		12 AWG		4 mm ²			
Other characteristics		Wire strip. length	Recomm. screwdriver	Recomm. torque	Protection	Wire strip. length	Recomm. screwdriver	Recomm. torque	Protection	Wire strip. length	Recomm. screwdriver	Recomm. torque	Protection	Wire strip. length	Recomm. screwdriver	Recomm. torque	Protection
		9,5 mm	4 mm	0,5-0,8 Nm	IP 20	9,5 mm	4 mm	0,5-0,8 Nm	IP 20	9,5 mm	4 mm	0,5-0,8 Nm	IP 20	9,5 mm	4 mm	0,5-0,8 Nm	IP 20
		.374"	.157"	4.4-7.1 lb.in	NEMA 1	.374"	.157"	4.4-7.1 lb.in	NEMA 1	.374"	.157"	4.4-7.1 lb.in	NEMA 1	.374"	.157"	4.4-7.1 lb.in	NEMA 1

Approvals	CE				CE				CE			
-----------	----	--	--	--	----	--	--	--	----	--	--	--

Accessories

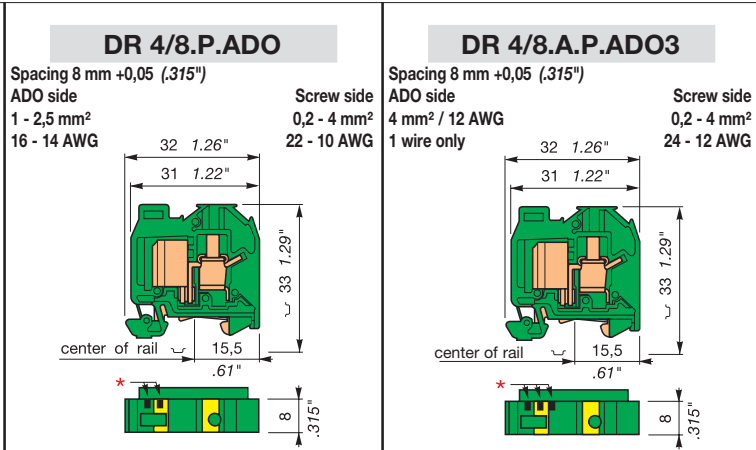
Type	Part number	Type	Part number	Type	Part number
1 End section grey orange	FEAD1 V0 th. 2,5 mm 1SNA 199 421 R1600 FEAD1 V0 th. 2,5 mm 1SNA 199 422 R1700	FEAD1 V0 th. 2,5 mm 1SNA 199 421 R1600 FEAD1 V0 th. 2,5 mm 1SNA 199 422 R1700	FEAD1 V0 th. 2,5 mm 1SNA 199 421 R1600 FEAD1 V0 th. 2,5 mm 1SNA 199 422 R1700	FEAD1 V0 th. 2,5 mm 1SNA 199 421 R1600 FEAD1 V0 th. 2,5 mm 1SNA 199 422 R1700	FEAD1 V0 th. 2,5 mm 1SNA 199 421 R1600 FEAD1 V0 th. 2,5 mm 1SNA 199 422 R1700
R See section on markers mode	On top RCAL85	On top RCAL85	On top RCAL85	On top RCAL85	On top RCAL85

Miniblocks Insulation Displacement ADO - Screw clamp for ground terminal blocks electrically connected to the mounting rail

DIN 2



Other accessories of this terminal blocks:
see pages of same size standard blocks.



Type	Part number	Type	Part number
Green body / Yellow marking ■ DR 4/8.P.ADO 1SNA 299 632 R0500		Green body / Yellow marking ■ DR 4/8.A.P.ADO3 1SNA 399 444 R0500	

Characteristics	IEC				UL/CSA				IEC			UL	CSA	
	NFC	DIN			NFC	DIN			NFC	DIN				
Wire size	Screw		Rigid		0,2-4 mm ²				22-10 AWG					
	ADO		Rigid		1-2,5 mm ²				16-14 AWG					
			Flexible		4 mm ²				12 AWG					
Rated current short-circuit	300 A / 1 s.				480 A/1 s.									
Rated wire size / gauge	2,5 mm ²				4 mm ²				12 AWG					
Other characteristics	Wire strip. length	Recomm. screwdriver	Recomm. torque	Protection	Wire strip. length	Recomm. screwdriver	Recomm. torque	Protection	Wire strip. length	Recomm. screwdriver	Recomm. torque	Protection		
	9,5 mm	4 mm	0,5-0,8 Nm		9,5 mm	4 mm	0,5-0,8 Nm	IP 20						
Approvals	.374" .157" 4.4-7.1 lb.in				.374" .157" 4.4-7.1 lb.in NEMA 1									

Accessories	Type	Part number	Type	Part number	Type	Part number
	orange	FEAD1 V0 th. 2,5 mm 1SNA 199 422 R1700	FEAD1 V0 th. 2,5 mm 1SNA 199 422 R1700	FEAD1 V0 th. 2,5 mm 1SNA 199 422 R1700	FEAD1 V0 th. 2,5 mm 1SNA 199 422 R1700	FEAD1 V0 th. 2,5 mm 1SNA 199 422 R1700
R See section on markers	mode	On top RCAL85	On top	RCAL85	On top	RCAL85

Type	Part number	Type	Part number

Characteristics	IEC			UL	CSA	IEC			UL	CSA	IEC			UL	CSA		
	NFC	DIN				NFC	DIN				NFC	DIN					
Wire size	Screw		Rigid					Rigid					Rigid				
	ADO		Rigid					Rigid					Rigid				
			Flexible					Flexible					Flexible				
Rated current short-circuit																	
Rated wire size nominal / gauge																	
Other characteristics	Wire strip. length	Recomm. screwdriver	Recomm. torque	Protection	Wire strip. length	Recomm. screwdriver	Recomm. torque	Protection	Wire strip. length	Recomm. screwdriver	Recomm. torque	Protection	Wire strip. length	Recomm. screwdriver	Recomm. torque	Protection	
Approvals																	
Accessories	Type	Part number	Type	Part number	Type	Part number											

Type	Part number	Type	Part number

Miniblocks Insulation Displacement

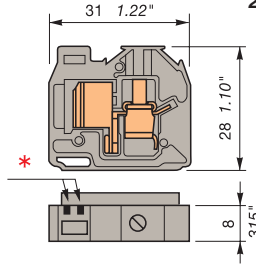
ADO - Screw clamp
Base mount with flanges



DB 4/8.ADO

Spacing 8 mm + 0,05 .315"
ADO side
1 - 2,5 mm²
16 - 14 AWG

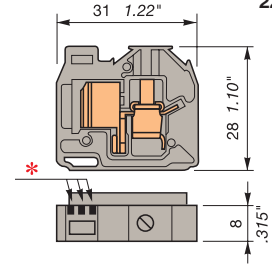
Screw side
0,2 - 4 mm²
22 - 10 AWG



DB 4/8.A.ADO3

Spacing 8 mm + 0,05 .238"
ADO side
4 mm²
12 AWG

Screw side
0,2 - 4 mm²
22 - 12 AWG



Colour	Type	Part numbers
Grey	DB 4/8.ADO	1SNA 299 509 R1300
Blue	DB 4/8.N.ADO	1SNA 299 511 R2400
Orange	DB 4/8.ADO	1SNA 299 510 R0700

Colour	Type	Part numbers
Grey	DB 4/8.A.ADO3	1SNA 399 434 R2300
Blue	DB 4/8.A.N.ADO3	1SNA 399 436 R2500
Orange	DB 4/8.A.ADO3	1SNA 399 435 R2400

Characteristics

Wire size	IEC		UL/CSA
	NFC	DIN	
Screw	Rigid	0,2-4 mm ²	22-10 AWG
	Flexible	0,22-4 mm ²	22-10 AWG
ADO	Rigid	1-2,5 mm ²	16-14 AWG
	Flexible	1-2,5 mm ²	16-14 AWG

Characteristics

Wire size	IEC		UL/CSA
	NFC	DIN	
Screw	Rigid	0,2-4 mm ²	22-12 AWG
	Flexible	0,22-4 mm ²	22-12 AWG
ADO	Rigid	4 mm ²	12 AWG
	Flexible	4 mm ²	12 AWG

Voltage		
Rated	800 V	600 V
Impulse withstand	8 kV	
Pollution degree	3	

Voltage		
Rated	1000 V	
Impulse withstand		
Pollution degree	3	

Current			
Rated	24 A	25 A	

Current			
Rated	32 A		

Wire size			
Rated / Gauge	2,5 mm ²	14 AWG	
Wire stripping length	Recommended screwdriver	Recommended torque	protection
9,5 mm	4 mm	0,5 - 0,8 Nm	IP 20
.374"	.157"	4.4 - 7.1 lb.in	NEMA 1

Wire size			
Rated / Gauge	4 mm ²		
Wire stripping length	Recommended screwdriver	Recommended torque	protection
9,5 mm	4 mm	0,5 - 0,8 Nm	IP 20
.374"	.157"	4.4 - 7.1 lb.in	NEMA 1

For drilling patterns see page: assembly and accessories

Observations

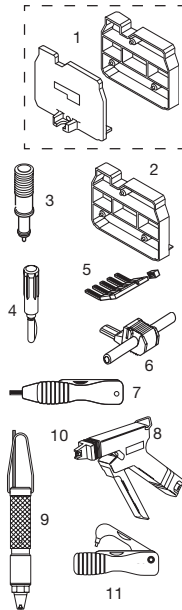
Terminal block body material is UL 94 V0.

DB 4/8.ADO block : for multiple wire connections, the two wires need to be of the **same gage and nature** (rigid or flexible).

DB 4/8.A.ADO3 block : connection of only one rigid or flexible 4 mm² wire.

* Notches to identify 8 mm spacing.

Accessories



Type	P/N
1 End section (left+ right)	grey orange
2 Separator	grey orange
3 Test device	yellow
4 Test plug	
5 Comb-type jumper bar	
6 IDC jumper	
7 Hand tool kit	
8 Semi automatic tool	
9 Pneumatic tool kit	
10 Replacement head kit	
11 Extraction tool kit	

Type	P/N
FEAD3 V0	1SNA 199 437 R1600
FEAD3 V0	1SNA 199 438 R2700
FEAD5 V0 th. 5,0 mm	1SNA 199 433 R1200
FEAD5 V0 th. 5,0 mm	1SNA 199 434 R1300
DCJ	1SNA 173 059 R0300
FC2 DIA. 2 mm	1SNA 007 865 R2600
PC8 50 A 2 poles	1SNA 116 538 R1700
PC8 50 A 3 poles	1SNA 116 539 R1000
PC8 50 A 4 poles	1SNA 116 540 R2500
PC8 50 A 10 poles	1SNA 163 313 R2400
AD2,5 24 A	1SNA 114 205 R2000
OUMAD	1SNA 179 466 R0600
OUPAD	1SNA 178 944 R0400
OUTAD	1SNA 205 710 R1100
OUTA	1SNA 205 284 R0300
EXAD2	1SNA 205 721 R0000

Type	P/N
FEAD3 V0	1SNA 199 437 R1600
FEAD3 V0	1SNA 199 438 R2700
FEAD5 V0 th. 5,0 mm	1SNA 199 433 R1200
FEAD5 V0 th. 5,0 mm	1SNA 199 434 R1300
DCJ	1SNA 173 059 R0300
FC2 DIA. 2 mm	1SNA 007 865 R2600
PC8 50 A 2 poles	1SNA 116 538 R1700
PC8 50 A 3 poles	1SNA 116 539 R1000
PC8 50 A 4 poles	1SNA 116 540 R2500
PC8 50 A 10 poles	1SNA 163 313 R2400
AD2,5 24 A	1SNA 114 205 R2000
OUMAD	1SNA 179 466 R0600
OUPAD	1SNA 178 944 R0400
OUTAD	1SNA 205 710 R1100
OUTA	1SNA 205 284 R0300
EXAD2	1SNA 205 721 R0000

R See section on markers marking method

On top RCAL85

On top RCAL85

**Miniblocks
Insulation Displacement
ADO - Screw clamp for
ground terminal blocks not
electrically connected to the
mounting plate
Base mount with flanges in
mounting foot**



Other accessories of this terminal blocks:
see pages of same size standard blocks.

DB 2,5/5.PI.ADO		DB 4/6.PI.ADO		DB 4/8.PI.ADO	
Spacing 5 mm + 0,05 (.198")		Spacing 6 mm + 0,05 (.238")		Spacing 8 mm + 0,05 (.315")	
ADO side 0,22 - 1 mm ² 24 - 18 AWG		Screw side 0,2 - 2,5 mm ² 24 - 12 AWG		ADO side 1 - 2,5 mm ² 16 - 14 AWG	
Screw side 0,2 - 2,5 mm ² 24 - 12 AWG		Screw side 0,2 - 4 mm ² 22 - 10 AWG		Screw side 0,2 - 4 mm ² 22 - 10 AWG	
Type	Part number	Type	Part number	Type	Part number
Yellow body / Green marking		Yellow body / Green marking		Yellow body / Green marking	
■ DB 2,5/5.PI.ADO 1SNA 399 522 R2300		■ DB 4/6.PI.ADO 1SNA 299 508 R1200		■ DB 4/8.PI.ADO 1SNA 299 512 R2500	

Characteristics		IEC		UL/CSA		IEC		UL/CSA		IEC		UL/CSA	
		NFC	DIN			NFC	DIN			NFC	DIN		
Wire size	Screw	0,2-4 mm ²		24-12 AWG		0,2-4 mm ²		22-10 AWG		0,2-4 mm ²		22-10 AWG	
	Flexible	0,22-2,5 mm ²		24-12 AWG		0,22-4 mm ²		22-10 AWG					
ADO	Rigid	0,2-1 mm ²		24-18 AWG		0,28 -1,5 mm ²		22-16 AWG		1-2,5 mm ²		16-14 AWG	
	Flexible	0,22-1 mm ²		24-18 AWG		0,34 -1,5 mm ²		22-16 AWG					
Rated current short-circuit		120 A/1 s.				180 A/1 s.				300 A/1 s.			
Rated wire size nominal / gauge		1 mm ²		18 AWG		1,5 mm ²		16 AWG		2,5 mm ²		14 AWG	
Other characteristics		Wire strip. length	Recomm. screwdriver	Recomm. torque	Protection	Wire strip. length	Recomm. screwdriver	Recomm. torque	Protection	Wire strip. length	Recomm. screwdriver	Recomm. torque	Protection
		9,5 mm	3,5 mm	0,4-0,6 Nm	IP 20	9,5 mm	4 mm	0,5-0,8 Nm	IP 20	9,5 mm	4 mm	0,5-0,8 Nm	IP 20
		.374"	.137"	3.5-5.3 lb.in	NEMA 1	.374"	.157"	4.4-7.1 lb.in	NEMA 1	.374"	.157"	4.4-7.1 lb.in	NEMA 1
Approvals													
Accessories		Type	Part number		Type	Part number		Type	Part number		Type	Part number	
1	End section kit with flanges (left + right)	grey	FEAD3	V0	1SNA 199 437 R1600	grey	FEAD3	V0	1SNA 199 437 R1600	grey	FEAD3	V0	1SNA 199 437 R1600
		orange	FEAD3	V0	1SNA 199 438 R2700	orange	FEAD3	V0	1SNA 199 438 R2700	orange	FEAD3	V0	1SNA 199 438 R2700
R	See section on markers	mode	On top	RC55		On top	RC65		On top	RCAL85			

**Miniblocks
Insulation Displacement
ADO - Screw clamp for
ground terminal blocks not
electrically connected to the
mounting plate
Base mount with flanges in
mounting foot**



Other accessories of this terminal blocks:
see pages of same size standard blocks.

DB 4/8.A.PI.ADO3		DB 4/6.PI.ADO		DB 4/8.PI.ADO									
Spacing 8 mm + 0,05 (.315")		Spacing 6 mm + 0,05 (.238")		Spacing 8 mm + 0,05 (.315")									
ADO side 4 mm ² / 12 AWG 1 wire only		Screw side 0,2 - 4 mm ² 24 - 12 AWG		ADO side 1 - 2,5 mm ² 16 - 14 AWG									
Screw side 0,2 - 4 mm ² 24 - 12 AWG		Screw side 0,2 - 4 mm ² 22 - 10 AWG		Screw side 0,2 - 4 mm ² 22 - 10 AWG									
Type	Part number	Type	Part number	Type	Part number								
Yellow body / Green marking		Yellow body / Green marking		Yellow body / Green marking									
■ DB 4/8.A.PI.ADO3 1SNA 399 437 R2600		■ DB 4/6.PI.ADO 1SNA 299 508 R1200		■ DB 4/8.PI.ADO 1SNA 299 512 R2500									
Characteristics		IEC		UL/CSA		IEC		UL/CSA		IEC		UL/CSA	
		NFC	DIN			NFC	DIN	UL	CSA	NFC	DIN	UL	CSA
Wire size	Screw	0,2-4 mm ²		24-12 AWG		0,2-4 mm ²		22-10 AWG		0,2-4 mm ²		22-10 AWG	
	Flexible	0,22-4 mm ²		24-12 AWG		0,22-4 mm ²		22-10 AWG					
ADO	Rigid	4 mm ²		12 AWG		4 mm ²		12 AWG					
	Flexible	4 mm ²		12 AWG		4 mm ²		12 AWG					
Rated current short-circuit		480 A/1 s.				480 A/1 s.				480 A/1 s.			
Rated wire size nominal / gauge		4 mm ²		12 AWG		4 mm ²		12 AWG		4 mm ²		12 AWG	
Other characteristics		Wire strip. length	Recomm. screwdriver	Recomm. torque	Protection	Wire strip. length	Recomm. screwdriver	Recomm. torque	Protection	Wire strip. length	Recomm. screwdriver	Recomm. torque	Protection
		9,5 mm	4 mm	0,5-0,8 Nm	IP 20	9,5 mm	4 mm	0,5-0,8 Nm	IP 20	9,5 mm	4 mm	0,5-0,8 Nm	IP 20
		.374"	.157"	4.4-7.1 lb.in	NEMA 1	.374"	.157"	4.4-7.1 lb.in	NEMA 1	.374"	.157"	4.4-7.1 lb.in	NEMA 1
Approvals													
Accessories		Type	Part number		Type	Part number		Type	Part number		Type	Part number	
1	End section kit with flanges (left + right)	grey	FEAD3	V0	1SNA 199 437 R1600	grey	FEAD3	V0	1SNA 199 437 R1600	grey	FEAD3	V0	1SNA 199 437 R1600
		orange	FEAD3	V0	1SNA 199 438 R2700	orange	FEAD3	V0	1SNA 199 438 R2700	orange	FEAD3	V0	1SNA 199 438 R2700
R	See section on markers	mode	On top	RCAL85		On top	RC65		On top	RCAL85			

Miniblocks Insulation Displacement



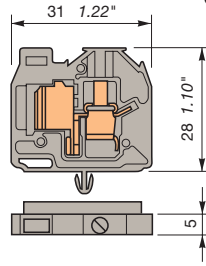
ADO - Screw clamp

Base mount with snap in mounting foot



DH 2,5/5.ADO

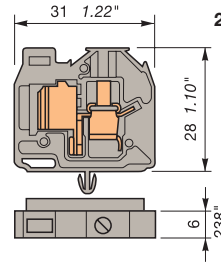
Spacing 5 mm + 0,05 (.198")
ADO side
0,22 - 1 mm²
24 - 18 AWG



Screw side
0,2 - 2,5 mm²
24 - 12 AWG

DH 4/6.ADO

Spacing 6 mm + 0,05 (.238")
ADO side
0,34 - 1,5 mm²
22 - 16 AWG



Screw side
0,2 - 4 mm²
22 - 10 AWG



Colour	Type	Part numbers
Grey <input type="checkbox"/>	DH 2,5/5.ADO	1SNA 399 523 R2400
Blue <input type="checkbox"/>	DH 2,5/5.N.ADO	1SNA 399 525 R2600
Orange <input type="checkbox"/>	DH 2,5/5.ADO	1SNA 399 524 R2500

Colour	Type	Part numbers
Grey <input type="checkbox"/>	DH 4/6.ADO	1SNA 299 521 R2600
Blue <input type="checkbox"/>	DH 4/6.N.ADO	1SNA 299 523 R2000
Orange <input type="checkbox"/>	DH 4/6.ADO	1SNA 299 522 R2700

Characteristics

Wire size		IEC		UL/CSA
		NFC	DIN	
Screw	Rigid	0,2-4 mm ²		24-12 AWG
	Flexible	0,22-2,5 mm ²		24-12 AWG
ADO	Rigid	0,2-1 mm ²		24-18 AWG
	Flexible	0,22-1 mm ²		24-18 AWG

Characteristics

Wire size		IEC		UL/CSA
		NFC	DIN	
Screw	Rigid	0,2-4 mm ²		22-10 AWG
	Flexible	0,22-4 mm ²		22-10 AWG
ADO	Rigid	0,28-1,5 mm ²		22-16 AWG
	Flexible	0,34-1,5 mm ²		22-16 AWG

For drilling pattern see page: assembly and accessories

Observations

Standard blocks 5 and 6 mm. For multiple wires connections, the two wires need to be of the same gage and nature (rigid or flexible). Terminal block body material is UL 94 V0.

Voltage		
Rated	800 V	600 V
Impulse withstand	8 kV	
Pollution degree	3	

Current		
Rated	13,5 A	10 A

Wire size			
Rated / Gauge	1 mm ²	18 AWG	
Wire stripping length	Recommended screwdriver	Recommended torque	protection
9,5 mm	3,5 mm	0,4 - 0,6 Nm	IP 20
.374"	.137"	3.5-5.3 lb.in	NEMA 1

Voltage		
Rated	800 V	600 V
Impulse withstand	8 kV	
Pollution degree	3	

Current		
Rated	17,5 A	20 A

Wire size			
Rated / Gauge	1,5 mm ²	16 AWG	
Wire stripping length	Recommended screwdriver	Recommended torque	protection
9,5 mm	4 mm	0,5 - 0,8 Nm	IP 20
.374"	.157"	4.4-7.1 lb.in	NEMA 1

Accessories

Type	Colour	P/N
1 End section	grey	FEAD1 V0 th. 2,5 mm 1SNA 199 421 R1600
	orange	FEAD1 V0 th. 2,5 mm 1SNA 199 422 R1700
2 Separator	grey	FEAD5 V0 th. 5,0 mm 1SNA 199 433 R1200
	orange	FEAD5 V0 th. 5,0 mm 1SNA 199 434 R1300
3 Test device	yellow	DCB 1SNA 173 059 R0300
4 Test plug		FC2 DIA. 2 mm 1SNA 007 865 R2600
5 Screwless jumper bar to be inserted into ADO jaw orange IP20	BJADO5.2	17,5 A 2 poles 1SNA 205 955 R0300
	BJADO5.3	17,5 A 3 poles 1SNA 205 956 R0400
	BJADO5.4	17,5 A 4 poles 1SNA 205 957 R0500
	BJADO5.5	17,5 A 5 poles 1SNA 205 958 R1600
	BJADO5.10	17,5 A 10 poles 1SNA 205 963 R0300
	BJADO5.20	17,5 A 20 poles 1SNA 205 973 R0500
6 Comb-type jumper bar	PC5	30 A 2 poles 1SNA 113 542 R1000
	PC5	30 A 10 poles 1SNA 113 544 R1200
	EIP	1SNA 113 550 R2400
	AD2.5	24 A 1SNA 114 205 R2000
8 Hand tool kit	OUMAD	1SNA 179 466 R0600
9 Semi automatic tool	OUPAD	1SNA 178 944 R0400
10 Pneumatic tool kit	OUTAD	1SNA 205 710 R1100
11 Replacement head kit	OUTA	1SNA 205 284 R0300
12 Extraction tool kit	EXAD2	1SNA 205 721 R0000
13 Test connector	CEADO.5	1SNA 399 345 R1100
	CEADOE	1SNA 399 341 R1500
R See section on markers marking method		

Type	Colour	P/N
1 End section	grey	FEAD1 V0 th. 2,5 mm 1SNA 199 421 R1600
	orange	FEAD1 V0 th. 2,5 mm 1SNA 199 422 R1700
2 Separator	grey	FEAD5 V0 th. 5,0 mm 1SNA 199 433 R1200
	orange	FEAD5 V0 th. 5,0 mm 1SNA 199 434 R1300
3 Test device	yellow	DCJ 1SNA 173 059 R0300
4 Test plug		FC2 DIA. 2 mm 1SNA 007 865 R2600
5 Screwless jumper bar to be inserted into ADO jaw orange IP20	BJADO6.2	17,5 A 2 poles 1SNA 205 974 R0600
	BJADO6.3	17,5 A 3 poles 1SNA 205 975 R0700
	BJADO6.4	17,5 A 4 poles 1SNA 205 976 R0800
	BJADO6.5	17,5 A 5 poles 1SNA 205 977 R0100
	BJADO6.10	17,5 A 10 poles 1SNA 205 982 R2700
	BJADO6.20	17,5 A 20 poles 1SNA 205 992 R2100
6 Comb-type jumper bar	PC6	35 A 2 poles 1SNA 113 546 R1400
	PC6	35 A 3 poles 1SNA 116 536 R0500
	PC6	35 A 4 poles 1SNA 116 537 R0600
	PC6	35 A 10 poles 1SNA 113 548 R2600
EIP	1SNA 113 550 R2400	
AD2.5	24 A 1SNA 114 205 R2000	
8 Hand tool kit	OUMAD	1SNA 179 466 R0600
9 Semi automatic tool	OUPAD	1SNA 178 944 R0400
10 Pneumatic tool kit	OUTAD	1SNA 205 710 R1100
11 Replacement head kit	OUTA	1SNA 205 284 R0300
12 Extraction tool kit	EXAD2	1SNA 205 721 R0000
13 Test connector	CEADO.6	1SNA 399 346 R1200
	CEADOE	1SNA 399 341 R1500
R See section on markers marking method		

Type	Colour	P/N
1 End section	grey	FEAD1 V0 th. 2,5 mm 1SNA 199 421 R1600
	orange	FEAD1 V0 th. 2,5 mm 1SNA 199 422 R1700
2 Separator	grey	FEAD5 V0 th. 5,0 mm 1SNA 199 433 R1200
	orange	FEAD5 V0 th. 5,0 mm 1SNA 199 434 R1300
3 Test device	yellow	DCJ 1SNA 173 059 R0300
4 Test plug		FC2 DIA. 2 mm 1SNA 007 865 R2600
5 Screwless jumper bar to be inserted into ADO jaw orange IP20	BJADO6.2	17,5 A 2 poles 1SNA 205 974 R0600
	BJADO6.3	17,5 A 3 poles 1SNA 205 975 R0700
	BJADO6.4	17,5 A 4 poles 1SNA 205 976 R0800
	BJADO6.5	17,5 A 5 poles 1SNA 205 977 R0100
	BJADO6.10	17,5 A 10 poles 1SNA 205 982 R2700
	BJADO6.20	17,5 A 20 poles 1SNA 205 992 R2100
6 Comb-type jumper bar	PC6	35 A 2 poles 1SNA 113 546 R1400
	PC6	35 A 3 poles 1SNA 116 536 R0500
	PC6	35 A 4 poles 1SNA 116 537 R0600
	PC6	35 A 10 poles 1SNA 113 548 R2600
EIP	1SNA 113 550 R2400	
AD2.5	24 A 1SNA 114 205 R2000	
8 Hand tool kit	OUMAD	1SNA 179 466 R0600
9 Semi automatic tool	OUPAD	1SNA 178 944 R0400
10 Pneumatic tool kit	OUTAD	1SNA 205 710 R1100
11 Replacement head kit	OUTA	1SNA 205 284 R0300
12 Extraction tool kit	EXAD2	1SNA 205 721 R0000
13 Test connector	CEADO.6	1SNA 399 346 R1200
	CEADOE	1SNA 399 341 R1500
R See section on markers marking method		

Miniblocks Insulation Displacement



ADO - Screw clamp

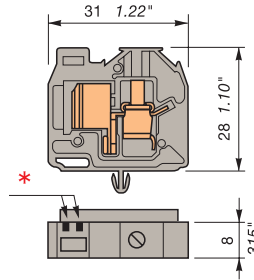
Base mount with snap in mounting foot



DH 4/8.ADO

Spacing 8 mm + 0,05 (.315")
ADO side
1 - 2,5 mm²
16 - 14 AWG

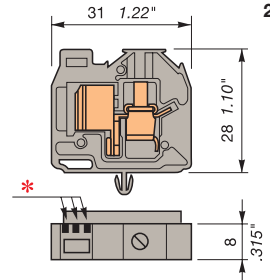
Screw side
0,2 - 4 mm²
22 - 10 AWG



DH 4/8.A.ADO3

Spacing 8 mm + 0,05 .238"
ADO side
4 mm²
12 AWG

Screw side
0,2 - 4 mm²
22 - 12 AWG



Colour	Type	Part numbers
Grey	<input type="checkbox"/> DH 4/8.ADO	1SNA 299 525 R2200
Blue	<input type="checkbox"/> DH 4/8.N.ADO	1SNA 299 527 R2400
Orange	<input type="checkbox"/> DH 4/8.ADO	1SNA 299 526 R2300

Colour	Type	Part numbers
Grey	<input type="checkbox"/> DH 4/8.A.ADO3	1SNA 399 438 R0700
Blue	<input type="checkbox"/> DH 4/8.A.N.ADO3	1SNA 399 440 R1500
Orange	<input type="checkbox"/> DH 4/8.A.ADO3	1SNA 399 439 R0000

Characteristics

Wire size	IEC		UL/CSA
	NFC	DIN	
Screw	Rigid	0,2-4 mm ²	22-10 AWG
	Flexible	0,22-4 mm ²	22-10 AWG
ADO	Rigid	1-2,5 mm ²	16-14 AWG
	Flexible	1-2,5 mm ²	16-14 AWG

Characteristics

Wire size	IEC		UL/CSA
	NFC	DIN	
Screw	Rigid	0,2-4 mm ²	22-12 AWG
	Flexible	0,22-4 mm ²	22-12 AWG
ADO	Rigid	4 mm ²	12 AWG
	Flexible	4 mm ²	12 AWG

For drilling pattern see page: assembly and accessories

Observations

Terminal block body material is UL 94 V0.

DH 4/8.ADO block : for multiple wire connections, the two wires need to be of the **same gage and nature** (rigid or flexible).

DH 4/8.A.ADO3 block : connection of only one rigid or flexible 4 mm² wire.

* Notches to identify 8 mm spacing.

Voltage

Rated	800 V	600 V
Impulse withstand	8 kV	
Pollution degree	3	

Voltage

Rated	1000 V	
Impulse withstand		
Pollution degree	3	

Current

Rated	24 A	25 A
-------	------	------

Current

Rated	32 A	
-------	------	--

Wire size

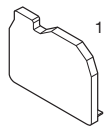
Rated / Gauge	2,5 mm ²		14 AWG
Wire stripping length	Recommended screwdriver	Recommended torque	protection
9,5 mm	4 mm	0,5 - 0,8 Nm	IP 20
.374"	.157"	4.4 - 7.1 lb.in	NEMA 1

Wire size

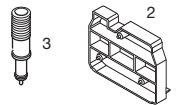
Rated / Gauge	4 mm ²		12 AWG
Wire stripping length	Recommended screwdriver	Recommended torque	protection
9,5 mm	4 mm	0,5 - 0,8 Nm	IP 20
.374"	.157"	4.4 - 7.1 lb.in	NEMA 1

Accessories

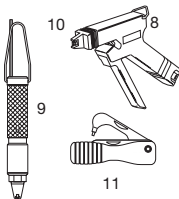
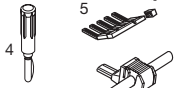
Accessories



- 1 End section grey
- 2 Separator grey
- 3 Test device orange
- 4 Test plug yellow
- 5 Comb-type jumper bar



- 6 IDC jumper
- 7 Hand tool kit
- 8 Semi automatic tool
- 9 Pneumatic tool kit
- 10 Replacement head kit
- 11 Extraction tool kit



Type	P/N			
FEAD1	V0	th. 2,5 mm	1SNA 199 421 R1600	
FEAD1	V0	th. 2,5 mm	1SNA 199 422 R1700	
FEAD5	V0	th. 5,0 mm	1SNA 199 433 R1200	
FEAD5	V0	th. 5,0 mm	1SNA 199 434 R1300	
DCJ			1SNA 173 059 R0300	
FC2		DIA. 2 mm	1SNA 007 865 R2600	
PC8	50 A	2 poles	1SNA 116 538 R1700	
PC8	50 A	3 poles	1SNA 116 539 R1000	
PC8	50 A	4 poles	1SNA 116 540 R2500	
PC8	50 A	10 poles	1SNA 163 313 R2400	
AD2,5	24 A		1SNA 114 205 R2000	
OUMAD			1SNA 179 466 R0600	
OUPAD			1SNA 178 944 R0400	
OUTAD			1SNA 205 710 R1100	
OUTA			1SNA 205 284 R0300	
EXAD2			1SNA 205 721 R0000	

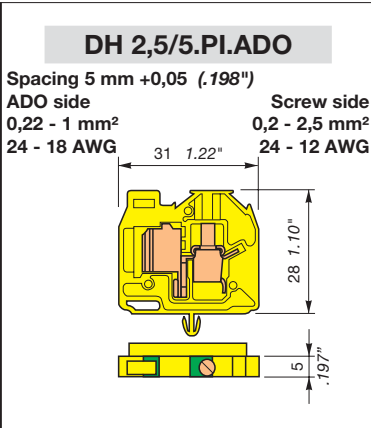
Type	P/N			
FEAD1	V0	th. 2,5 mm	1SNA 199 421 R1600	
FEAD1	V0	th. 2,5 mm	1SNA 199 422 R1700	
FEAD5	V0	th. 5,0 mm	1SNA 199 433 R1200	
FEAD5	V0	th. 5,0 mm	1SNA 199 434 R1300	
DCJ			1SNA 173 059 R0300	
FC2		DIA. 2 mm	1SNA 007 865 R2600	
PC8	50 A	2 poles	1SNA 116 538 R1700	
PC8	50 A	3 poles	1SNA 116 539 R1000	
PC8	50 A	4 poles	1SNA 116 540 R2500	
PC8	50 A	10 poles	1SNA 163 313 R2400	
AD2,5	24 A		1SNA 114 205 R2000	
OUMAD			1SNA 179 466 R0600	
OUPAD			1SNA 178 944 R0400	
OUTAD			1SNA 205 710 R1100	
OUTA			1SNA 205 284 R0300	
EXAD2			1SNA 205 721 R0000	

R See section on markers marking method

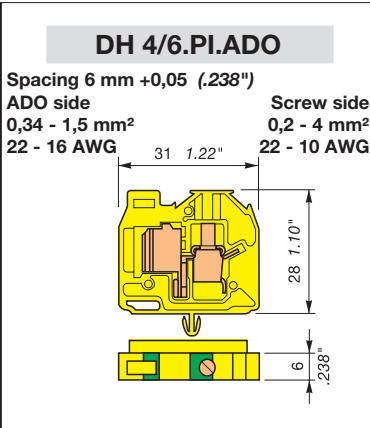
On top RCAL85

On top RCAL85

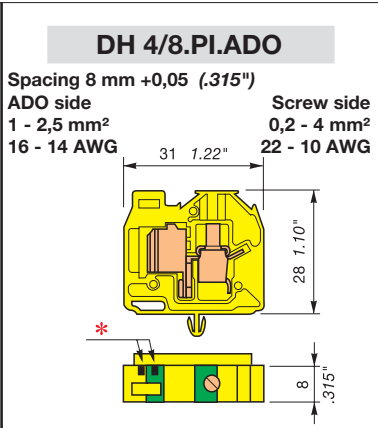
**Miniblocks
Insulation Displacement
ADO - Screw clamp**
ground terminal blocks not electrically connected to the mounting plate
Base mount with snap in mounting foot



Type	Part number
Yellow body / Green marking	DH 2,5/5.PI.ADO 1SNA 399 526 R2700



Type	Part number
Yellow body / Green marking	DH 4/6.PI.ADO 1SNA 299 524 R2100



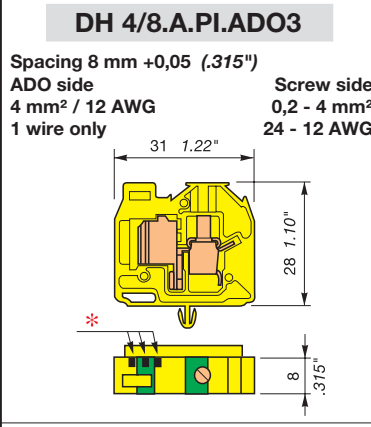
Type	Part number
Yellow body / Green marking	DH 4/8.PI.ADO 1SNA 299 528 R0500

Other accessories of this terminal blocks: see pages of same size standard blocks.

Characteristics		IEC		DIN		UL/CSA		IEC		DIN		UL/CSA		IEC		DIN		UL/CSA			
Wire size	Screw	Rigid	0,2 - 4 mm ²		24-12 AWG		0,2 - 4 mm ²		22-10 AWG		0,2 - 4 mm ²		22-10 AWG		0,2 - 4 mm ²		22-10 AWG				
		Flexible	0,22 - 2,5 mm ²		24-12 AWG		0,22 - 4 mm ²		22-10 AWG		0,22 - 4 mm ²		22-10 AWG		0,22 - 4 mm ²		22-10 AWG				
ADO	Screw	Rigid	0,2-1 mm ²		24-18 AWG		0,28-1,5 mm ²		22-16 AWG		1-2,5 mm ²		16-14 AWG		1-2,5 mm ²		16-14 AWG				
		Flexible	0,22-1 mm ²		24-18 AWG		0,34-1,5 mm ²		22-16 AWG		1-2,5 mm ²		16-14 AWG		1-2,5 mm ²		16-14 AWG				
Rated current short-circuit		120 A / 1 s.				180 A / 1 s.				300 A / 1 s.											
Rated wire size nominal / gauge		1 mm ²		18 AWG		1,5 mm ²		16 AWG		2,5 mm ²		14 AWG									
Other characteristics		Wire strip. length	Recomm. screwdriver	Recomm. torque	Protection	Wire strip. length	Recomm. screwdriver	Recomm. torque	Protection	Wire strip. length	Recomm. screwdriver	Recomm. torque	Protection	Wire strip. length	Recomm. screwdriver	Recomm. torque	Protection	Wire strip. length	Recomm. screwdriver	Recomm. torque	Protection
		9,5 mm	3,5 mm	0,4-0,6 Nm	IP 20	9,5 mm	4 mm	0,5-0,8 Nm	IP 20	9,5 mm	4 mm	0,5-0,8 Nm	IP 20	9,5 mm	4 mm	0,5-0,8 Nm	IP 20	9,5 mm	4 mm	0,5-0,8 Nm	IP 20
		.374"	.137"	3.5-5.3 lb.in	NEMA 1	.374"	.157"	4.4-7.1 lb.in	NEMA 1	.374"	.157"	4.4-7.1 lb.in	NEMA 1	.374"	.157"	4.4-7.1 lb.in	NEMA 1	.374"	.157"	4.4-7.1 lb.in	NEMA 1
Approvals																					

Accessories		Type	Part number	Type	Part number	Type	Part number
1 End section	grey	FEAD1 V0 th. 2,5 mm	1SNA 199 421 R1600	FEAD1 V0 th. 2,5 mm	1SNA 199 421 R1600	FEAD1 V0 th. 2,5 mm	1SNA 199 421 R1600
	orange	FEAD1 V0 th. 2,5 mm	1SNA 199 422 R1700	FEAD1 V0 th. 2,5 mm	1SNA 199 422 R1700	FEAD1 V0 th. 2,5 mm	1SNA 199 422 R1700
R See section on markers	mode	On top	RC55	On top	RC65	On top	RCAL85

**Miniblocks
Insulation Displacement
ADO - Screw clamp**
ground terminal blocks not electrically connected to the mounting plate
Base mount with snap in mounting foot



Type	Part number
Yellow body / Green marking	DH 4/8.A.PI.ADO3 1SNA 399 441 R0200

Other accessories of this terminal blocks: see pages of same size standard blocks.

Characteristics		IEC		DIN		UL/CSA		IEC		DIN		UL		CSA		IEC		DIN		UL		CSA			
Wire size	Screw	Rigid	0,2 - 4 mm ²		24-12 AWG																				
		Flexible	0,22 - 4 mm ²		24-12 AWG																				
ADO	Screw	Rigid	4 mm ²		12 AWG																				
		Flexible	4 mm ²		12 AWG																				
Rated current short-circuit		480 A / 1 s.																							
Rated wire size nominal / gauge		4 mm ²		12 AWG																					
Other characteristics		Wire strip. length	Recomm. screwdriver	Recomm. torque	Protection	Wire strip. length	Recomm. screwdriver	Recomm. torque	Protection	Wire strip. length	Recomm. screwdriver	Recomm. torque	Protection	Wire strip. length	Recomm. screwdriver	Recomm. torque	Protection	Wire strip. length	Recomm. screwdriver	Recomm. torque	Protection	Wire strip. length	Recomm. screwdriver	Recomm. torque	Protection
		9,5 mm	4 mm	0,5-0,8 Nm	IP 20																				
		.374"	.157"	4.4-7.1 lb.in	NEMA 1																				
Approvals																									

Accessories		Type	Part number	Type	Part number	Type	Part number
1 End section	grey	FEAD1 V0 th. 2,5 mm	1SNA 199 421 R1600				
	orange	FEAD1 V0 th. 2,5 mm	1SNA 199 422 R1700				
R See section on markers	mode	On top	RCAL85				