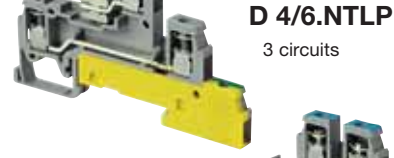


Terminal blocks for distribution boxes double-deck + protection

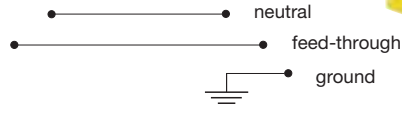
Screw clamp

DIN 3



D 4/6.NLP

3 circuits



End stop	th. 12 mm	BADH	V2	1SNA 116 900 R2700
End stop	th. 9,1 mm	BAMH	V2	1SNA 114 836 R0000
End stop	th. 9,1 mm	BAMH VO	V0	1SNA 194 836 R0100
Rail	35 x 7,5 x 1	PR3.Z2		1SNA 174 300 R1700
Rail	35 x 15 x 2,3	PR4		1SNA 168 500 R1200
Rail	35 x 15 x 1,5	PR5		1SNA 168 700 R2200

Other end stops, rails and accessories : see section on accessories.

Notes

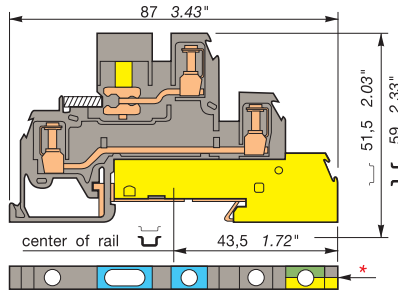
According to DIN 43880 standards (dimension above the rail $35 \times 7,5 \leq 44$ mm).
 The Screw clamp terminal blocks, wire size from 2,5 mm² (spacing 5 mm) to 16 mm² (spacing 12 mm) also comply with these standards.
 The use of some accessories may decrease the block's voltage rating. For more information, consult us.
 * Blue marking on "neutral" circuit.
 Yellow/green marking on "ground" circuit.

Accessories

1	End section	grey
2	Separator end section	
3	Circuit separator	white
4	Test socket	
5	Test plug	
6	Assembled jumper bar	32 A
	Assembled jumper bar (without IP20 protection)	32 A
	Assembled jumper bar	32 A
	Assembled jumper bar	32 A
	Assembled jumper bar	32 A
	Assembled jumper bar	32 A
	Assembled jumper bar	32 A
	Assembled jumper bar	32 A
7	IDC jumper	24 A
8	Busbar	
9	Clamp for busbar	
R	See section on markers marking method	

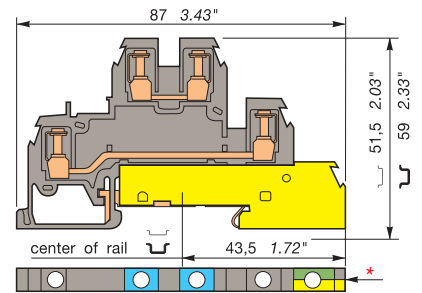
D 4/6.NTLP

Spacing 6 mm +0,05 (.238")



D 4/6.NLP

Spacing 6 mm +0,05 (.238")



Colour	Type	Part number
Grey	D 4/6.NTLP	1SNA 110 439 R2200

Characteristics		
Wire size	IEC	UL/CSA
Screw clamp	Rigid	0,2-4 mm ²
	Flexible	0,2-4 mm ²
Ground bar		10 x 3 mm

Voltage		
Rated	320 V(1)/400 V(2)	300 V
Impulse withstand	4 kV(1)/6 kV(2)	
Pollution degree	3	
Current		
Rated	Short circuit	30 A
		480 A/1s.
		20 A
Wire size		
Rated / Gauge	4 mm ² / A4	12 AWG
Wire strip. length	Recomm. screwdriver	Recomm. torque
9,5 mm	4 mm	0,4-0,8 Nm
.37"	.16"	3.5-7 lb.in
		IP 20
		NEMA 1

Colour	Type	Part number
Grey	D 4/6.NLP	1SNA 110 440 R0700

Characteristics		
Wire size	IEC	UL/CSA
Screw clamp	Rigid	0,2-4 mm ²
	Flexible	0,2-4 mm ²
Ground bar		10 x 3 mm

Voltage		
Rated	400 V	300 V
Impulse withstand	6 kV	
Pollution degree	3	
Current		
Rated	Short circuit	30 A
		480 A/1s.
		20 A
Wire size		
Rated / Gauge	4 mm ² / A4	12 AWG
Wire strip. length	Recomm. screwdriver	Recomm. torque
9,5 mm	4 mm	0,4-0,8 Nm
.37"	.16"	3.5-7 lb.in
		IP 20
		NEMA 1

Type	Part numbers	
FED6	th. 1 mm	1SNA 116 964 R1200
SCFD	th. 1,5 mm	1SNA 114 117 R0700
SCD		1SNA 103 189 R2600
AL2 (4)	DIA. 2 mm	1SNA 167 319 R0600
FC2 (3)	DIA. 2 mm	1SNA 007 865 R2600
BJM62 (4)	2 poles	1SNA 173 217 R2600
BJM62 (4)	3 poles	1SNA 173 218 R0700
BJM62 (4)	4 poles	1SNA 173 219 R0000
BJM62 (4)	5 poles	1SNA 173 221 R2200
BJM62 (4)	6 poles	1SNA 174 112 R1600
BJM62 (4)	7 poles	1SNA 174 113 R1700
BJM62 (4)	8 poles	1SNA 174 114 R1000
BJM62 (4)	9 poles	1SNA 174 115 R1100
BJM62 (4)	10 poles	1SNA 173 226 R2700
AD2,5	V2	1SNA 114 205 R2000
BO3	10 x 3 mm	1SNA 164 406 R2400
SFB1	0,5 to 35 mm ²	1SNA 163 860 R0500
SFB2	16 to 35 mm ²	1SNA 168 956 R0600

For disconnect device :

Recomm. screwdriver	Recomm. torque
4 mm	0,4-0,6 Nm
.16"	3.5-5.3 lb.in

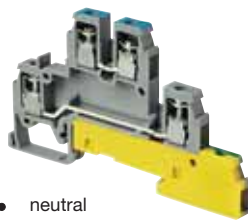
Type	Part numbers	
FED6	th. 1 mm	1SNA 116 964 R1200
SCFD	th. 1,5 mm	1SNA 114 117 R0700
SCD		1SNA 103 189 R2600
AL2 (4)	DIA. 2 mm	1SNA 167 319 R0600
FC2 (3)	DIA. 2 mm	1SNA 007 865 R2600
BJM62 (4)	2 poles	1SNA 173 217 R2600
BJM62 (4)	3 poles	1SNA 173 218 R0700
BJM62 (4)	4 poles	1SNA 173 219 R0000
BJM62 (4)	5 poles	1SNA 173 221 R2200
BJM62 (4)	6 poles	1SNA 174 112 R1600
BJM62 (4)	7 poles	1SNA 174 113 R1700
BJM62 (4)	8 poles	1SNA 174 114 R1000
BJM62 (4)	9 poles	1SNA 174 115 R1100
BJM62 (4)	10 poles	1SNA 173 226 R2700
AD2,5	V2	1SNA 114 205 R2000

Note : (1) Between "feed-through" and "neutral" circuits. (2) Between 2 "feed-through" circuits (side by side). (3) For block equipped with AL2. (4) A circuit separator SC may be required with the use of these accessories.

Terminal blocks for distribution boxes double-deck + protection

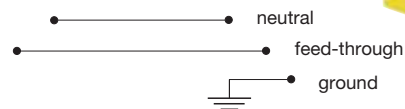
Screw clamp

DIN 3



D 4/6.LLP

3 circuits



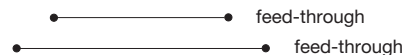
D 4/6.NL

2 circuits



D 4/6.LL

2 circuits



End stop	th. 12 mm	BADH	V2	1SNA 116 900 R2700
End stop	th. 9,1 mm	BAMH	V2	1SNA 114 836 R0000
End stop	th. 9,1 mm	BAMH V0	V0	1SNA 194 836 R0100
Rail	35 x 7,5 x 1	PR3.Z2		1SNA 174 300 R1700
Rail	35 x 15 x 2,3	PR4		1SNA 168 500 R1200
Rail	35 x 15 x 1,5	PR5		1SNA 168 700 R2200

Other end stops, rails and accessories : see section on accessories.

Notes

According to DIN 43880 standards (dimension above the rail 35 x 7,5 ≤ 44 mm).

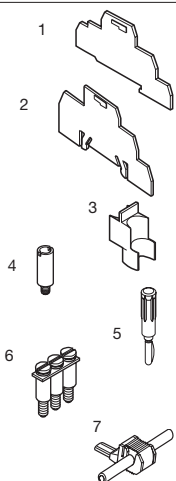
The Screw clamp terminal blocks, wire size from 2,5 mm² (spacing 5 mm) to 16 mm² (spacing 12 mm) also comply with these standards.

The use of some accessories may decrease the block's voltage rating. For more information, consult us.

* Blue marking on "neutral" circuit.

Yellow/green marking on "ground" circuit.

Accessories

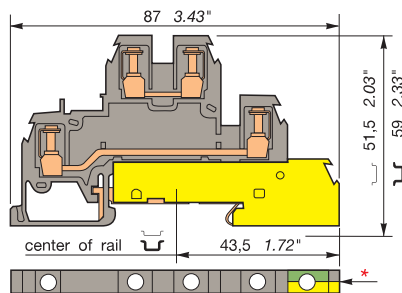


1	End section	grey
2	Separator end section	
3	Circuit separator	white
4	Alvéole de contrôle	
5	Test plug	
6	Assembled jumper bar	32 A
		32 A
		32 A (without IP20 protection)
		32 A
		32 A
		32 A
		32 A
		32 A
		32 A
		32 A
7	IDC jumper	24 A

R See section on markers marking method

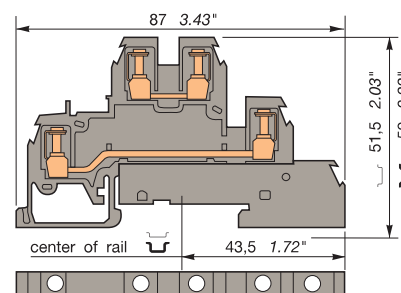
D 4/6.LLP

Spacing 6 mm +0,05 (.238")



D 4/6...L

Spacing 6 mm +0,05 (.238")



Colour	Type	Part number
2 circuits : "feed-through"		
1 circuit : "ground" connected to the rail		
Grey	<input type="checkbox"/> D 4/6.LLP	1SNA 110 441 R2400

Characteristics

Wire size	IEC		UL/CSA
	NFC	DIN	
Screw clamp Rigid	0,2-4 mm ²		18-12 AWG
Flexible	0,2-4 mm ²		18-12 AWG

Voltage		
Rated	400 V	300 V
Impulse withstand	6 kV	
Pollution degree	3	

Current			
Rated	Short circuit	30 A	480 A/1s.
			20 A

Wire size			
Rated / Gauge	4 mm ² / A4		12 AWG
Wire strip. length	Recomm. screwdriver	Recomm. torque	Protection
9,5 mm	4 mm	0,4-0,8 Nm	IP 20
.37"	.16"	3.5-7 lb.in	NEMA 1



Colour	Type	Part number
1 circuit : "neutral" + 1 circuit : "feed-through"		
Grey	<input type="checkbox"/> D 4/6.NL	1SNA 110 447 R2200
2 circuits : "feed-through"		
Grey	<input type="checkbox"/> D 4/6.LL	1SNA 110 442 R2500
Only 1 circuit : "feed-through"		
Grey - Upper deck	<input type="checkbox"/> D 4/6.L	1SNA 110 449 R0400
Grey - Lower deck	<input type="checkbox"/> D 4/6.L	1SNA 110 443 R2600

Characteristics

Wire size	IEC		UL/CSA
	NFC	DIN	
Screw clamp Rigid	0,2-4 mm ²		18-12 AWG
Flexible	0,2-4 mm ²		18-12 AWG

Voltage		
Rated	400 V	300 V
Impulse withstand	6 kV	
Pollution degree	3	

Current		
Rated	30 A	20 A

Wire size			
Rated / Gauge	4 mm ² / A4		12 AWG
Wire strip. length	Recomm. screwdriver	Recomm. torque	Protection
9,5 mm	4 mm	0,4-0,8 Nm	IP 20
.37"	.16"	3.5-7 lb.in	NEMA 1

Type	Part numbers	
FED6	th. 1 mm	1SNA 116 964 R1200
SCFD	th. 1,5 mm	1SNA 114 117 R0700
SCD		1SNA 103 189 R2600
AL2 (4)	DIA. 2 mm	1SNA 167 319 R0600
FC2 (3)	DIA. 2 mm	1SNA 007 865 R2600
BJM62 (4)	2 poles	1SNA 173 217 R2600
BJM62 (4)	3 poles	1SNA 173 218 R0700
BJM62 (4)	4 poles	1SNA 173 219 R0000
BJM62 (4)	5 poles	1SNA 173 221 R2200
BJM62 (4)	6 poles	1SNA 174 112 R1600
BJM62 (4)	7 poles	1SNA 174 113 R1700
BJM62 (4)	8 poles	1SNA 174 114 R1000
BJM62 (4)	9 poles	1SNA 174 115 R1100
BJM62 (4)	10 poles	1SNA 173 226 R2700
AD2,5		1SNA 114 205 R2000
RC65		

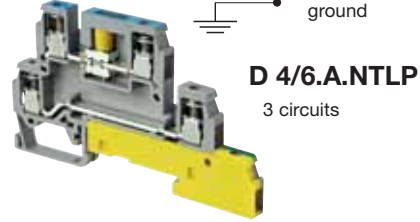
Type	Part numbers	
FED6	th. 1 mm	1SNA 116 964 R1200
SCFD	th. 1,5 mm	1SNA 114 117 R0700
SCD		1SNA 103 189 R2600
AL2 (4)	DIA. 2 mm	1SNA 167 319 R0600
FC2 (3)	DIA. 2 mm	1SNA 007 865 R2600
BJM62 (4)	2 poles	1SNA 173 217 R2600
BJM62 (4)	3 poles	1SNA 173 218 R0700
BJM62 (4)	4 poles	1SNA 173 219 R0000
BJM62 (4)	5 poles	1SNA 173 221 R2200
BJM62 (4)	6 poles	1SNA 174 112 R1600
BJM62 (4)	7 poles	1SNA 174 113 R1700
BJM62 (4)	8 poles	1SNA 174 114 R1000
BJM62 (4)	9 poles	1SNA 174 115 R1100
BJM62 (4)	10 poles	1SNA 173 226 R2700
AD2,5		1SNA 114 205 R2000
RC65		

Note : (1) For block equipped with AL2.
(2) A circuit separator SC may be required with the use of these accessories.

Terminal blocks for distribution boxes double-deck + protection

Screw clamp

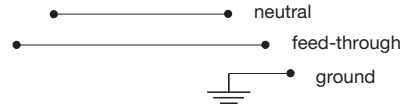
DIN 3



D 4/6.A.NTLP
3 circuits

D 4/6.A.NLP

3 circuits



End stop	th. 12 mm	BADH	V2	1SNA 116 900 R2700
End stop	th. 9,1 mm	BAMH	V2	1SNA 114 836 R0000
End stop	th. 9,1 mm	BAMH V0	V0	1SNA 194 836 R0100
Rail	35 x 7,5 x 1	PR3.Z2		1SNA 174 300 R1700
Rail	35 x 15 x 2,3	PR4		1SNA 168 500 R1200
Rail	35 x 15 x 1,5	PR5		1SNA 168 700 R2200

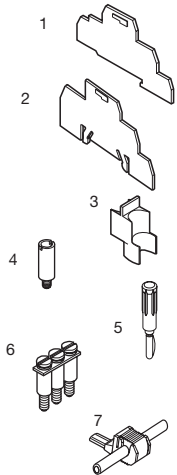
Other end stops, rails and accessories : see section on accessories.

Notes

Mainly suitable for medical equipment purposes. According to DIN 43880 standards (dimension above the rail 35 x 7,5 ≤ 44 mm). The Screw clamp terminal blocks, wire size from 2,5 mm² (spacing 5 mm) to 16 mm² (spacing 12 mm) also comply with these standards. The use of some accessories may decrease the block's voltage rating. For more information, consult us.

* Blue marking on "neutral" circuit.
Yellow/green marking on "ground" circuit.

Accessories



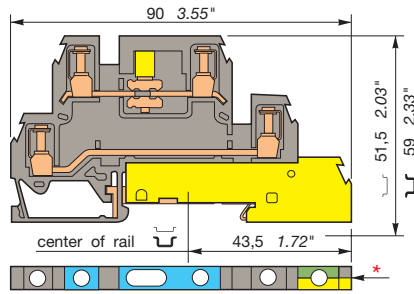
1	End section	grey
2	Separator end section	
3	Circuit separator	white
4	Test socket	
5	Test plug	
6	Assembled jumper bar	32 A
	jumper bar	32 A
	(without IP20 protection)	32 A
		32 A
		32 A
		32 A
		32 A
		32 A
		32 A
7	IDC jumper	24 A



R See section on markers marking method

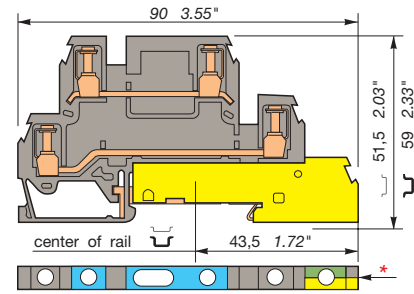
D 4/6.A.NTLP

Spacing 6 mm +0,05 (.238")



D 4/6.A.NLP

Spacing 6 mm +0,05 (.238")



Colour	Type	Part number
1 circuit : "disconnect neutral"		
1 circuit : "feed-through"		
1 circuit : "ground" connected to the rail		
Grey	<input type="checkbox"/> D 4/6.A.NTLP	1SNA 110 415 R1200

Characteristics		
Wire size	IEC	UL/CSA
	NFC DIN	
Screw clamp	Rigid	0,2-4 mm ²
	Flexible	0,2-4 mm ²
		18-12 AWG

Voltage		
Rated	320 V(1)/400 V(2)	300 V
Impulse withstand	4 kV(1)/6 kV(2)	
Pollution degree	3	

Current		
Rated	Short circuit	30 A
		480 A/1s.
		20 A

Wire size			
Rated / Gauge	4 mm ² / A4		12 AWG
Wire strip. length	Recomm. screwdriver	Recomm. torque	Protection
9,5 mm	4 mm	0,4-0,8 Nm	IP 20
.37"	.16"	3.5-7 lb.in	NEMA 1



Colour	Type	Part number
1 circuit : "neutral"		
1 circuit : "feed-through"		
1 circuit : "ground" connected to the rail		
Grey	<input type="checkbox"/> D 4/6.A.NLP	1SNA 110 417 R1400

Characteristics		
Wire size	IEC	UL/CSA
	NFC DIN	
Screw clamp	Rigid	0,2-4 mm ²
	Flexible	0,2-4 mm ²
		18-12 AWG

Voltage		
Rated	400 V	300 V
Impulse withstand	6 kV	
Pollution degree	3	

Current		
Rated	Short circuit	30 A
		480 A/1s.
		20 A

Wire size			
Rated / Gauge	4 mm ² / A4		12 AWG
Wire strip. length	Recomm. screwdriver	Recomm. torque	Protection
9,5 mm	4 mm	0,4-0,8 Nm	IP 20
.37"	.16"	3.5-7 lb.in	NEMA 1

Type	Part numbers		
FED6	th. 1 mm	1SNA 116 964 R1200	
SCFD	th. 1,5 mm	1SNA 114 117 R0700	
SCD		1SNA 103 189 R2600	
AL2 (4)	DIA. 2 mm	1SNA 167 319 R0600	
FC2 (3)	DIA. 2 mm	1SNA 007 865 R2600	
BJM62 (4)	2 poles	1SNA 173 217 R2600	
BJM62 (4)	3 poles	1SNA 173 218 R0700	
BJM62 (4)	4 poles	1SNA 173 219 R0000	
BJM62 (4)	5 poles	1SNA 173 221 R2200	
BJM62 (4)	6 poles	1SNA 174 112 R1600	
BJM62 (4)	7 poles	1SNA 174 113 R1700	
BJM62 (4)	8 poles	1SNA 174 114 R1000	
BJM62 (4)	9 poles	1SNA 174 115 R1100	
BJM62 (4)	10 poles	1SNA 173 226 R2700	
AD2,5		1SNA 114 205 R2000	

Type	Part numbers		
FED6	th. 1 mm	1SNA 116 964 R1200	
SCFD	th. 1,5 mm	1SNA 114 117 R0700	
SCD		1SNA 103 189 R2600	
AL2 (4)	DIA. 2 mm	1SNA 167 319 R0600	
FC2 (3)	DIA. 2 mm	1SNA 007 865 R2600	
BJM62 (4)	2 poles	1SNA 173 217 R2600	
BJM62 (4)	3 poles	1SNA 173 218 R0700	
BJM62 (4)	4 poles	1SNA 173 219 R0000	
BJM62 (4)	5 poles	1SNA 173 221 R2200	
BJM62 (4)	6 poles	1SNA 174 112 R1600	
BJM62 (4)	7 poles	1SNA 174 113 R1700	
BJM62 (4)	8 poles	1SNA 174 114 R1000	
BJM62 (4)	9 poles	1SNA 174 115 R1100	
BJM62 (4)	10 poles	1SNA 173 226 R2700	
AD2,5		1SNA 114 205 R2000	

For disconnect device :

Recomm. screwdriver	Recomm. torque
4 mm	0,4-0,6 Nm
.16"	3.5-5.3 lb.in

RC65

RC65

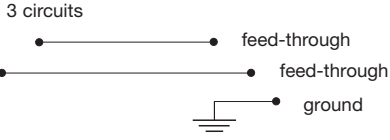
Note : (1) Between "neutral" and "feed-through" circuits. (2) Between 2 "feed-through" circuits (side by side). (3) For block equipped with AL2. (4) A circuit separator SC may be required with the use of these accessories.

Terminal blocks for distribution boxes double-deck + protection

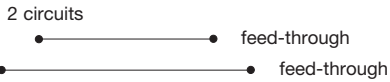
Screw clamp

DIN 3

D 4/6.A.LLP



D 4/6.A.LL



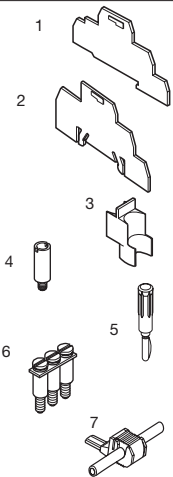
End stop	th. 12 mm	BADH	V2	1SNA 116 900 R2700
End stop	th. 9,1 mm	BAMH	V2	1SNA 114 836 R0000
End stop	th. 9,1 mm	BAMH V0	V0	1SNA 194 836 R0100
Rail	35 x 7,5 x 1	PR3.Z2		1SNA 174 300 R1700
Rail	35 x 15 x 2,3	PR4		1SNA 168 500 R1200
Rail	35 x 15 x 1,5	PR5		1SNA 168 700 R2200

Other end stops, rails and accessories : see section on accessories.

Notes

Mainly suitable for medical equipment purposes. According to DIN 43880 standards (dimension above the rail 35 x 7,5 ≤ 44 mm). The Screw clamp terminal blocks, wire size from 2,5 mm² (spacing 5 mm) to 16 mm² (spacing 12 mm) also comply with these standards. The use of some accessories may decrease the block's voltage rating. For more information, consult us. * Yellow/green marking on "ground" circuit.

Accessories



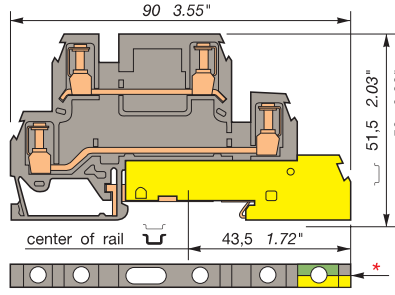
1	End section	grey
2	Separator end section	
3	Circuit separator	white
4	Test socket	
5	Test plug	
6	Assembled jumper bar	32 A
	jumper bar	32 A
	(without IP20 protection)	32 A
		32 A
		32 A
		32 A
		32 A
		32 A
7	IDC jumper	24 A



R See section on markers marking method

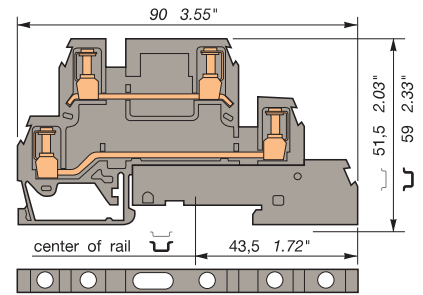
D 4/6.A.LLP

Spacing 6 mm +0,05 (.238")



D 4/6.A.LL

Spacing 6 mm +0,05 (.238")



Colour	Type	Part number
2 circuits : "feed-through"		
1 circuit : "ground" connected to the rail		
Grey	<input type="checkbox"/> D 4/6.A.LLP	1SNA 110 418 R2500



Colour	Type	Part number
2 circuits : "feed-through"		
Grey	<input type="checkbox"/> D 4/6.A.LL	1SNA 110 419 R2600

Characteristics

Wire size	IEC		UL/CSA
	NFC	DIN	
Screw clamp Rigid	0,2-4 mm ²		18-12 AWG
Flexible	0,2-4 mm ²		18-12 AWG

Characteristics

Wire size	IEC		UL/CSA
	NFC	DIN	
Screw clamp Rigid	0,2-4 mm ²		18-12 AWG
Flexible	0,2-4 mm ²		18-12 AWG

Voltage

Rated	400 V	300 V
Impulse withstand	6 kV	
Pollution degree	3	

Current

Rated	Short circuit	30 A	480 A/1s.	20 A
-------	---------------	------	-----------	------

Wire size

Rated / Gauge	4 mm ² / A4		12 AWG
Wire strip. length	Recomm. screwdriver	Recomm. torque	Protection
9,5 mm	4 mm	0,4-0,8 Nm	IP 20
.37"	.16"	3.5-7 lb.in	NEMA 1

Voltage

Rated	400 V	300 V
Impulse withstand	6 kV	
Pollution degree	3	

Current

Rated	30 A	20 A
-------	------	------

Wire size

Rated / Gauge	4 mm ² / A4		12 AWG
Wire strip. length	Recomm. screwdriver	Recomm. torque	Protection
9,5 mm	4 mm	0,4-0,8 Nm	IP 20
.37"	.16"	3.5-7 lb.in	NEMA 1

Type	Part numbers
FEDA6	th. 1 mm 1SNA 116 965 R1300
SCFD	th. 1,5 mm 1SNA 114 117 R0700
SCD	1SNA 103 189 R2600
AL2 (4)	DIA. 2 mm 1SNA 167 319 R0600
FC2 (3)	DIA. 2 mm 1SNA 007 865 R2600
BJM62 (4)	2 poles 1SNA 173 217 R2600
BJM62 (4)	3 poles 1SNA 173 218 R0700
BJM62 (4)	4 poles 1SNA 173 219 R0000
BJM62 (4)	5 poles 1SNA 173 221 R2200
BJM62 (4)	6 poles 1SNA 174 112 R1600
BJM62 (4)	7 poles 1SNA 174 113 R1700
BJM62 (4)	8 poles 1SNA 174 114 R1000
BJM62 (4)	9 poles 1SNA 174 115 R1100
BJM62 (4)	10 poles 1SNA 173 226 R2700
AD2,5	1SNA 114 205 R2000
RC65	

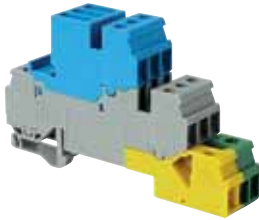
Type	Part numbers
FEDA6	th. 1 mm 1SNA 116 965 R1300
SCFD	th. 1,5 mm 1SNA 114 117 R0700
SCD	1SNA 103 189 R2600
AL2 (4)	DIA. 2 mm 1SNA 167 319 R0600
FC2 (3)	DIA. 2 mm 1SNA 007 865 R2600
BJM62 (4)	2 poles 1SNA 173 217 R2600
BJM62 (4)	3 poles 1SNA 173 218 R0700
BJM62 (4)	4 poles 1SNA 173 219 R0000
BJM62 (4)	5 poles 1SNA 173 221 R2200
BJM62 (4)	6 poles 1SNA 174 112 R1600
BJM62 (4)	7 poles 1SNA 174 113 R1700
BJM62 (4)	8 poles 1SNA 174 114 R1000
BJM62 (4)	9 poles 1SNA 174 115 R1100
BJM62 (4)	10 poles 1SNA 173 226 R2700
AD2,5	1SNA 114 205 R2000
RC65	

Note : (1) For block equipped with AL2.
(2) A circuit separator SC may be required with the use of these accessories.

Terminal blocks for distribution boxes double-deck + protection

Screw clamp

DIN 3



End stop	th. 9 mm	BADL	V0	1SNA 399 903 R0200
End stop	th. 10 mm	BAM2	V2	1SNA 206 351 R1600
End stop	th. 10 mm	BAM2 V0	V0	1SNA 296 351 R0000
Rail	35 x 7,5 x 1	PR3.Z2		1SNA 174 300 R1700
Rail	35 x 15 x 2,3	PR4		1SNA 168 500 R1200
Rail	35 x 15 x 1,5	PR5		1SNA 168 700 R2200

Other end stops, rails and accessories : see section on accessories.

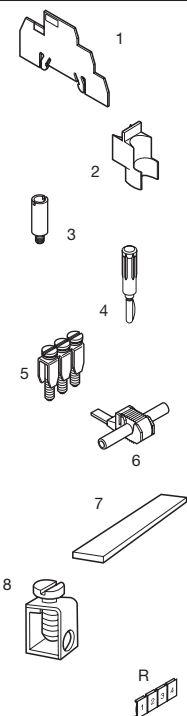
Notes

Complies with DIN 43880 standard (height above the mounting rail $35 \times 7,5 \leq 44$ mm 1.73").

The Screw clamp terminal blocks, wire size 2,5 mm² (spacing 5 mm) to 16 mm² (spacing 12 mm) also comply with this standard.

The use of some accessories may decrease the block's voltage rating. For more information, consult us.

Accessories

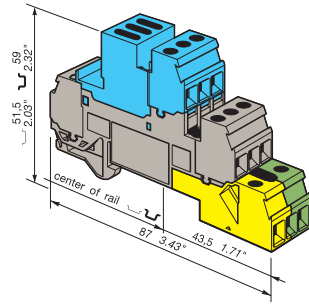


1	Separator end section	grey
2	Circuit separator	white
3	Test socket	
4	Test plug	
5	Assembled jumper bar	32 A
	(without IP20 protection)	32 A
		32 A
		32 A
		32 A
		32 A
		32 A
6	IDC jumper	24 A
7	Busbar	
8	Screw clamp for busbar	

R See section on markers marking method

D 4/6.LNTP1

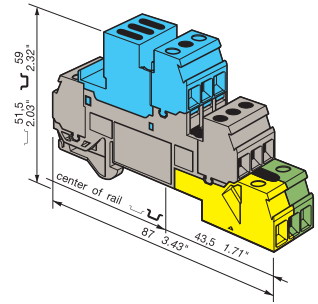
Spacing 17,8 mm + 0,2 (.700" + .008")



Closed terminal block

D 4/6.LNTP3

Spacing 17,8 mm + 0,2 (.700" + .008")



Closed terminal block



Colour	Type	Part number
3 circuits : "disconnect neutral" with busbar connection		
3 circuits : "feed-through"		
3 circuits : "ground" connected to the rail		
Blue, grey and green-yellow		
	D 4/6.LNTP1	1SNA 110 264 R0200

Characteristics

Wire size	IEC		UL	CSA
	NFC	DIN		
Screw clamp	Rigid	0,2-4 mm ²	18-12 AWG	18-12 AWG
	Flexible	0,2-4 mm ²	18-12 AWG	18-12 AWG

Voltage

Rated	320V(1)/400V(2)	300 V	300 V
Impulse withstand	4kV(1)/6kV(2)		
Pollution degree	3		

Current

Rated	Short circuit	30 A	480A/1s	20 A	20 A
-------	---------------	------	---------	------	------

Wire size

Rated / Gauge	4 mm ² /A4	12 AWG	12 AWG
Wire strip length	Recomm. screwdriver	Recomm. torque	Protection
9,5 mm	4 mm	0,5-0,8 Nm	IP20
.37"	.16"	4.4-7.1 lb.in	NEMA 1



Colour	Type	Part number
1 circuit : "disconnect neutral" with busbar connection		
3 circuits : "feed-through"		
1 circuit : "ground" connected to the rail		
Blue, grey and green-yellow		
	D 4/6.LNTP3	1SNA 110 269 R1700

Characteristics

Wire size	IEC		UL	CSA
	NFC	DIN		
Screw clamp	Rigid	0,2-4 mm ²	18-12 AWG	18-12 AWG
	Flexible	0,2-4 mm ²	18-12 AWG	18-12 AWG

Voltage

Rated	320V(1)/400V(2)	300 V	300 V
Impulse withstand	4kV(1)/6kV(2)		
Pollution degree	3		

Current

Rated	Short circuit	30 A	480A/1s	20 A	20 A
-------	---------------	------	---------	------	------

Wire size

Rated / Gauge	4 mm ² /A4	12 AWG	12 AWG
Wire strip length	Recomm. screwdriver	Recomm. torque	Protection
9,5 mm	4 mm	0,5-0,8 Nm	IP20
.37"	.16"	4.4-7.1 lb.in	NEMA 1

Type	Part numbers
SCFD th. 1,5 mm	1SNA 114 117 R0700
SCD	1SNA 103 189 R2600
AL2 (4) DIA. 2 mm	1SNA 167 319 R0600
FC2 (3) DIA. 2 mm	1SNA 007 865 R2600
BJM62 (4) 2 poles	1SNA 173 217 R2600
BJM62 (4) 3 poles	1SNA 173 218 R0700
BJM62 (4) 4 poles	1SNA 173 219 R0000
BJM62 (4) 5 poles	1SNA 173 221 R2200
BJM62 (4) 6 poles	1SNA 174 112 R1600
BJM62 (4) 7 poles	1SNA 174 113 R1700
BJM62 (4) 8 poles	1SNA 174 114 R1000
BJM62 (4) 9 poles	1SNA 174 115 R1100
BJM62 (4) 10 poles	1SNA 173 226 R2700
AD2,5	1SNA 114 205 R2000
BO3 1000 x 10 x 3 mm	1SNA 164 406 R2400
SFB1 0,5 to 35 mm ²	1SNA 163 860 R0500
SFB2 16 to 35 mm ²	1SNA 168 956 R0600

Type	Part numbers
SCFD th. 1,5 mm	1SNA 114 117 R0700
SCD	1SNA 103 189 R2600
AL2 (4) DIA. 2 mm	1SNA 167 319 R0600
FC2 (3) DIA. 2 mm	1SNA 007 865 R2600
BJM62 (4) 2 poles	1SNA 173 217 R2600
BJM62 (4) 3 poles	1SNA 173 218 R0700
BJM62 (4) 4 poles	1SNA 173 219 R0000
BJM62 (4) 5 poles	1SNA 173 221 R2200
BJM62 (4) 6 poles	1SNA 174 112 R1600
BJM62 (4) 7 poles	1SNA 174 113 R1700
BJM62 (4) 8 poles	1SNA 174 114 R1000
BJM62 (4) 9 poles	1SNA 174 115 R1100
BJM62 (4) 10 poles	1SNA 173 226 R2700
AD2,5	1SNA 114 205 R2000
BO3 1000 x 10 x 3 mm	1SNA 164 406 R2400
SFB1 0,5 to 35 mm ²	1SNA 163 860 R0500
SFB2 16 to 35 mm ²	1SNA 168 956 R0600

For disconnect device :

Recomm. screwdriver	Recomm. torque
4 mm	0,4-0,6 Nm
.16"	3.5-5.3 lb.in

For disconnect device :

Recomm. screwdriver	Recomm. torque
4 mm	0,4-0,6 Nm
.16"	3.5-5.3 lb.in

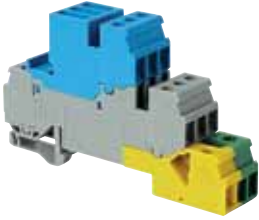
RC65

Note : (1) Between "feed-through" and neutral circuits. (2) Between 2 "feed-through" circuits (side by side). (3) For block equipped with AL2. (4) A circuit separator SC may be required with the use of these accessories.

Terminal blocks for distribution boxes double-deck + protection

Screw clamp

DIN 3



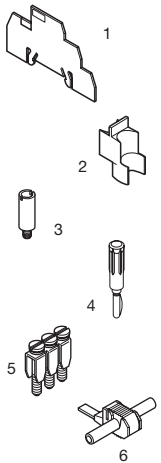
End stop		th. 9 mm	BADL	V0	1SNA 399 903 R0200
End stop		th. 10 mm	BAM2	V2	1SNA 206 351 R1600
End stop		th. 10 mm	BAM2 V0	V0	1SNA 296 351 R0000
Rail		35 x 7,5 x 1	PR3.Z2		1SNA 174 300 R1700
Rail		35 x 15 x 2,3	PR4		1SNA 168 500 R1200
Rail		35 x 15 x 1,5	PR5		1SNA 168 700 R2200

Other end stops, rails and accessories : see section on accessories.

Notes

Complies with DIN 43880 standard (height above the mounting rail 35 x 7,5 ≤ 44 mm 1.73").
 The Screw clamp terminal blocks, wire size 2,5 mm² (spacing 5 mm) to 16 mm² (spacing 12 mm) also comply with this standard.
 The use of some accessories may decrease the block's voltage rating. For more information, consult us.

Accessories



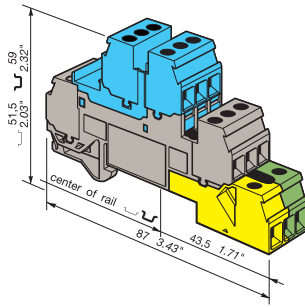
1	Separator end section	grey
2	Circuit separator	white
3	Test socket	
4	Test plug	
5	Assembled jumper bar	32 A
	(without IP20 protection)	32 A
		32 A
		32 A
		32 A
		32 A
6	IDC jumper	24 A



R See section on markers marking method

D 4/6.LNTP2

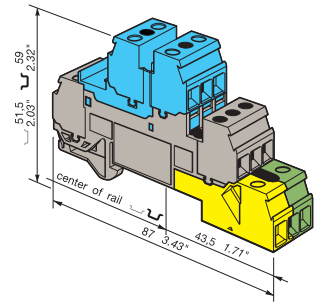
Spacing 17,8 mm + 0,2 (.700" + .008")



Closed terminal block

D 4/6.LNTP8

Spacing 17,8 mm + 0,2 (.700" + .008")



Closed terminal block



Colour	Type	Part number	Colour	Type	Part number
3 circuits : "neutral"			1 circuit : "neutral"		
3 circuits : "feed-through"			3 circuits : "feed-through"		
3 circuits : "ground" connected to the rail			1 circuit : "ground" connected to the rail		
Blue, grey and green-yellow		D 4/6.LNTP2 1SNA 110 327 R2100	Blue, grey and green-yellow		D 4/6.LNTP8 1SNA 110 333 R2700

Characteristics

Wire size	IEC		UL	CSA
	NFC	DIN		
Screw clamp	Rigid	0,2-4 mm ²	18-12 AWG	18-12 AWG
	Flexible	0,2-4 mm ²	18-12 AWG	18-12 AWG

Characteristics

Wire size	IEC		UL/CSA
	NFC	DIN	
Screw clamp	Rigid	0,2-4 mm ²	18-12 AWG
	Flexible	0,2-4 mm ²	18-12 AWG

Voltage

Rated	400 V	300 V	300 V
Impulse withstand	6 kV		
Pollution degree	3		

Voltage

Rated	400 V	300 V
Impulse withstand	6 kV	
Pollution degree	3	

Current

Rated	Short circuit	30 A	480A/1s	20 A	20 A
-------	---------------	------	---------	------	------

Current

Rated	Short circuit	30 A	480 A/1s.	20 A
-------	---------------	------	-----------	------

Wire size

Rated / Gauge	4 mm ² /A4	12 AWG	12 AWG
Wire strip length	4 mm	Recomm. torque	Protection
9,5 mm	4 mm	0,5-0,8 Nm	IP20
.37"	.16"	4.4-7.1 lb.in	NEMA 1

Wire size

Rated / Gauge	4 mm ² / A4	12 AWG	
Wire strip length	Recomm. screwdriver	Recomm. torque	Protection
9,5 mm	4 mm	0,4-0,8 Nm	IP20
.37"	.16"	3.5-7 lb.in	NEMA 1

Type	Part numbers
SCFD	th. 1,5 mm 1SNA 114 117 R0700
SCD	1SNA 103 189 R2600
AL2 (2)	DIA. 2 mm 1SNA 167 319 R0600
FC2 (1)	DIA. 2 mm 1SNA 007 865 R2600
BJM62 (2)	2 poles 1SNA 173 217 R2600
BJM62 (2)	3 poles 1SNA 173 218 R0700
BJM62 (2)	4 poles 1SNA 173 219 R0000
BJM62 (2)	5 poles 1SNA 173 221 R2200
BJM62 (2)	6 poles 1SNA 174 112 R1600
BJM62 (2)	7 poles 1SNA 174 113 R1700
BJM62 (2)	8 poles 1SNA 174 114 R1000
BJM62 (2)	9 poles 1SNA 174 115 R1100
BJM62 (2)	10 poles 1SNA 173 226 R2700
AD2,5	1SNA 114 205 R2000

Type	Part numbers
SCFD	th. 1,5 mm 1SNA 114 117 R0700
SCD	1SNA 103 189 R2600
AL2 (2)	DIA. 2 mm 1SNA 167 319 R0600
FC2 (1)	DIA. 2 mm 1SNA 007 865 R2600
BJM62 (2)	2 poles 1SNA 173 217 R2600
BJM62 (2)	3 poles 1SNA 173 218 R0700
BJM62 (2)	4 poles 1SNA 173 219 R0000
BJM62 (2)	5 poles 1SNA 173 221 R2200
BJM62 (2)	6 poles 1SNA 174 112 R1600
BJM62 (2)	7 poles 1SNA 174 113 R1700
BJM62 (2)	8 poles 1SNA 174 114 R1000
BJM62 (2)	9 poles 1SNA 174 115 R1100
BJM62 (2)	10 poles 1SNA 173 226 R2700
AD2,5	1SNA 114 205 R2000

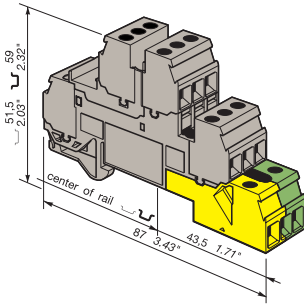
RC65

Note : (1) For block equipped with AL2.
 (2) A circuit separator SC may be required with the use of these accessories.

RC65

D 4/6.LNTP4

Spacing 17,8 mm + 0,2 (.700" + .008")



Closed terminal block



Colour	Type	Part number
6 circuits : "feed-through" 3 circuits "ground" connected to the rail		
Grey and green-yellow		D 4/6.LNTP4 1SNA 110 328 R0200

Characteristics

Wire size	Wire size		
	IEC NFC DIN	UL	CSA
Screw clamp	Rigid 0,2-4 mm ²	18-12 AWG	18-12 AWG
Flexible	0,2-4 mm ²	18-12 AWG	18-12 AWG

Voltage			
Rated	400 V	300 V	300 V
Impulse withstand	6 kV		
Pollution degree	3		

Current			
Rated	Short circuit	30 A	480A/1s
		20 A	20 A

Wire size			
Rated / Gauge	4 mm ² /A4		12 AWG
Wire strip. length	Recomm. screwdriver	Recomm. torque	Protection
9,5 mm	4 mm	0,5-0,8 Nm	IP20
.37"	.16"	4,4-7,1 lb.in	NEMA 1

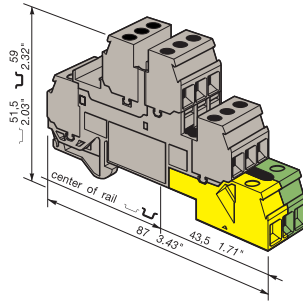
Type	Part numbers	
SCFD	th. 1,5 mm	1SNA 114 117 R0700
SCD		1SNA 103 189 R2600
AL2 (2)	DIA. 2 mm	1SNA 167 319 R0600
FC2 (1)	DIA. 2 mm	1SNA 007 865 R2600
BJM62 (2)	2 poles	1SNA 173 217 R2600
BJM62 (2)	3 poles	1SNA 173 218 R0700
BJM62 (2)	4 poles	1SNA 173 219 R0000
BJM62 (2)	5 poles	1SNA 173 221 R2200
BJM62 (2)	6 poles	1SNA 174 112 R1600
BJM62 (2)	7 poles	1SNA 174 113 R1700
BJM62 (2)	8 poles	1SNA 174 114 R1000
BJM62 (2)	9 poles	1SNA 174 115 R1100
BJM62 (2)	10 poles	1SNA 173 226 R2700
AD2,5		1SNA 114 205 R2000

RC65

Note : (1) For block equipped with AL2.
(2) A circuit separator **SC** may be required with the use of these accessories.

D 4/6.LNTP7

Spacing 17,8 mm + 0,2 (.700" + .008")



Closed terminal block



Colour	Type	Part number
6 circuits : "feed-through" 1 circuit "ground" connected to the rail		
Grey and green-yellow		D 4/6.LNTP7 1SNA 110 332 R2600

Characteristics

Wire size	Wire size	
	IEC NFC DIN	UL/CSA
Screw clamp	Rigid 0,2-4 mm ²	18-12 AWG
Flexible	0,2-4 mm ²	18-12 AWG

Voltage		
Rated	400 V	300 V
Impulse withstand	6 kV	
Pollution degree	3	

Current		
Rated	Short circuit	30 A
		480 A/1s
		20 A

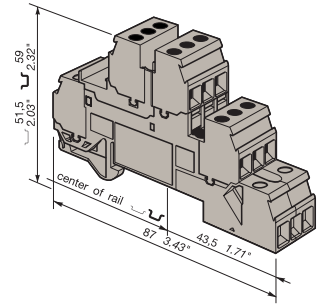
Wire size			
Rated / Gauge	4 mm ² / A4		12 AWG
Wire strip. length	Recomm. screwdriver	Recomm. torque	Protection
9,5 mm	4 mm	0,4-0,8 Nm	IP20
.37"	.16"	3,5-7 lb.in	NEMA 1

Type	Part numbers	
SCFD	th. 1,5 mm	1SNA 114 117 R0700
SCD		1SNA 103 189 R2600
AL2 (2)	DIA. 2 mm	1SNA 167 319 R0600
FC2 (1)	DIA. 2 mm	1SNA 007 865 R2600
BJM62 (2)	2 poles	1SNA 173 217 R2600
BJM62 (2)	3 poles	1SNA 173 218 R0700
BJM62 (2)	4 poles	1SNA 173 219 R0000
BJM62 (2)	5 poles	1SNA 173 221 R2200
BJM62 (2)	6 poles	1SNA 174 112 R1600
BJM62 (2)	7 poles	1SNA 174 113 R1700
BJM62 (2)	8 poles	1SNA 174 114 R1000
BJM62 (2)	9 poles	1SNA 174 115 R1100
BJM62 (2)	10 poles	1SNA 173 226 R2700
AD2,5		1SNA 114 205 R2000

RC65

D 4/6.LNTP6

Spacing 17,8 mm + 0,2 (.700" + .008")



Closed terminal block



Colour	Type	Part number
6 circuits : "feed-through"		
Grey		D 4/6.LNTP6 1SNA 110 331 R2500

Characteristics

Wire size	Wire size	
	IEC NFC DIN	UL/CSA
Screw clamp	Rigid 0,2-4 mm ²	18-12 AWG
Flexible	0,2-4 mm ²	18-12 AWG

Voltage		
Rated	400 V	300 V
Impulse withstand	6 kV	
Pollution degree	3	

Current		
Rated	30 A	20 A

Wire size			
Rated / Gauge	4 mm ² / A4		12 AWG
Wire strip. length	Recomm. screwdriver	Recomm. torque	Protection
9,5 mm	4 mm	0,4-0,8 Nm	IP20
.37"	.16"	3,5-7 lb.in	NEMA 1

Type	Part numbers	
SCFD	th. 1,5 mm	1SNA 114 117 R0700
SCD		1SNA 103 189 R2600
AL2 (2)	DIA. 2 mm	1SNA 167 319 R0600
FC2 (1)	DIA. 2 mm	1SNA 007 865 R2600
BJM62 (2)	2 poles	1SNA 173 217 R2600
BJM62 (2)	3 poles	1SNA 173 218 R0700
BJM62 (2)	4 poles	1SNA 173 219 R0000
BJM62 (2)	5 poles	1SNA 173 221 R2200
BJM62 (2)	6 poles	1SNA 174 112 R1600
BJM62 (2)	7 poles	1SNA 174 113 R1700
BJM62 (2)	8 poles	1SNA 174 114 R1000
BJM62 (2)	9 poles	1SNA 174 115 R1100
BJM62 (2)	10 poles	1SNA 173 226 R2700
AD2,5		1SNA 114 205 R2000

RC65