

Ground terminal blocks not electrically connected to the mounting rail (isolated ground)

Screw clamp

DIN 1 - 3

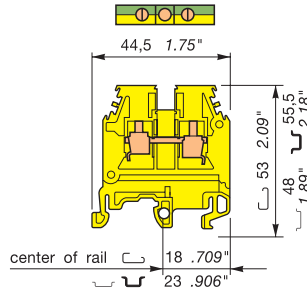


refer to the section "Special Applications" for part numbers and characteristics.

Other accessories of these terminal blocks : see pages of same size standard blocks.

MA 2,5/5.PI

Spacing 5 mm + 0,08 (.200")

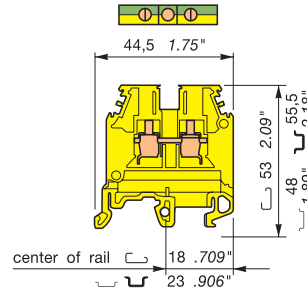


Type Part number

Yellow body with green strip on the top
MA 2,5/5.PI 1SNA 165 677 R0300

M 4/6.PI

Spacing 6 mm + 0,05 (.238")

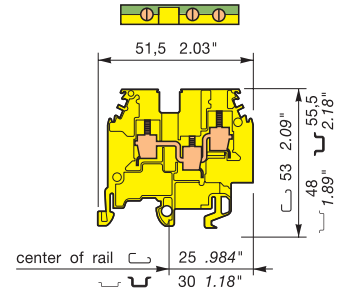


Type Part number

Yellow body with green strip on the top
M 4/6.PI 1SNA 165 275 R0000

M 4/6.3A.PI

Spacing 6 mm + 0,05 (.238")



Type Part number

Yellow body with green strip on the top
M 4/6.3A.PI 1SNA 165 589 R2400

Characteristics

Wire size	Screw clamp	IEC			UL			CSA			
		NFC	DIN	mm²	AWG	mm²	AWG	mm²	AWG	mm²	AWG
	Rigid	0,2-4			22-12			22-12			12 AWG max.
	Flexible	0,22-2,5			22-12			22-12			12 AWG max.

Short circuit current

Short circuit current	Rated wire size / Gauge
300A/1s	2,5 mm² / A3
480A/1s	4 mm² / A4
480A/1s	6 mm² / A5

Rated wire size / Gauge

Other characteristics			
Wire stripping length	Recomm. screwdriver	Recomm. torque	Protection
10 mm .39"	3.5 mm .14"	0,4-0,6 Nm 3.5-5.3 lb.in	IP 20 NEMA 1
9,5 mm .37"	4 mm .16"	0,5-0,8 Nm 4.4-7.1 lb.in	IP 20 NEMA 1
9,5 mm .37"	4 mm .16"	0,5-0,8 Nm 4.4-7.1 lb.in	IP 20 NEMA 1

Approvals: TÜV, UL, CE, etc.

Accessories

Accessories	Type	Part number
1 End section yellow	FEM6 th. 2,8 mm	1SNA 103 062 R2100
2 Separator end section grey	SCF6 th. 3 mm	1SNA 118 707 R0300

R See markers marking method RC65 - RC510 sides of block and only RC510 top of block

Ground terminal blocks not electrically connected to the mounting rail (isolated ground)

Screw clamp

DIN 1 - 3

Other accessories of these terminal blocks : see pages of same size standard blocks.

Characteristics

Wire size	Screw clamp	IEC			UL			CSA			
		NFC	DIN	mm²	AWG	mm²	AWG	mm²	AWG	mm²	AWG
	Rigid	0,2-4			22-10			12 AWG max.			20-8 AWG
	Flexible	0,22-4			22-10			12 AWG max.			20-8 AWG

Short circuit current

Short circuit current	Rated wire size / Gauge
480A/1s	4 mm² / A4
720A/1s	6 mm² / A5

Rated wire size / Gauge

Other characteristics			
Wire stripping length	Recomm. screwdriver	Recomm. torque	Protection
9,5 mm .37"	4 mm .16"	0,5-0,8 Nm 4.4-7.1 lb.in	IP 20 NEMA 1
10 mm .39"	4 mm .157"	0,5-0,8Nm 4.4-7.1 lb.in	IP 20 NEMA 1
12 mm .47"	4-5 mm .157"- .197"	0,8-1 Nm 7.1-8.9 lb.in	IP 20 NEMA 1

Approvals: TÜV, UL, CE, etc.

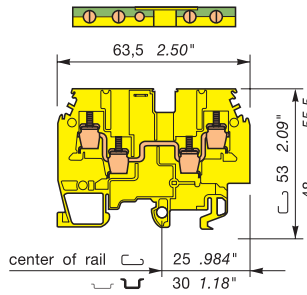
Accessories

Accessories	Type	Part number
1 End section yellow	FEM4A th. 3 mm	1SNA 103 863 R2100
2 Separator end section grey	FEMS6 th.2,8 mm	1SNA 103 300 R1100
	FEMS8 th. 3 mm	1SNA 103 301 R0600

R See markers marking method RC65 - RC610 RCT610 - RTM7 RC65 Top of block RC65 - RC610Sides of block RC65 Top of block RC65 - RC610 - RC810Sides of block

M 4/6.4A.PI

Spacing 6 mm + 0,05 (.238")

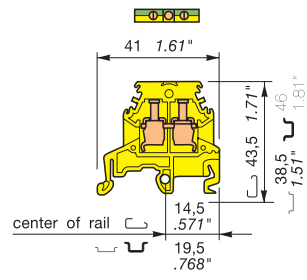


Type Part number

Yellow body with green strip on the top
M 4/6.4A.PI 1SNA 165 590 R2100

MS 4/6.PI

Spacing 6 mm + 0,05 (.238")

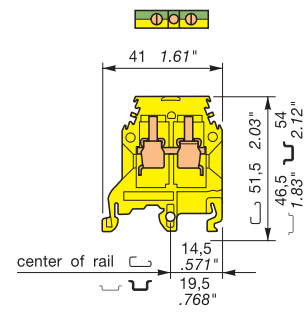


Type Part number

Yellow body with green strip on the top
MS 4/6.PI 1SNA 165 323 R2000

MS 6/8.PI

Spacing 8 mm - 0,05 .315"



Type Part number

Yellow body with green strip on the top
MS 6/8.PI 1SNA 165 324 R2100

Ground terminal blocks not electrically connected to the mounting rail (isolated ground)

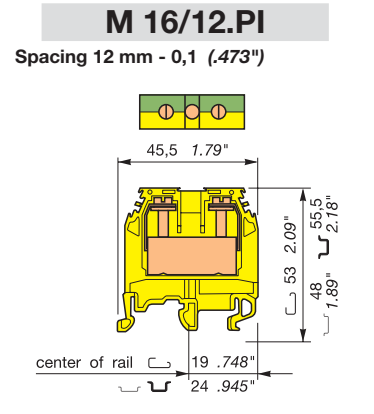
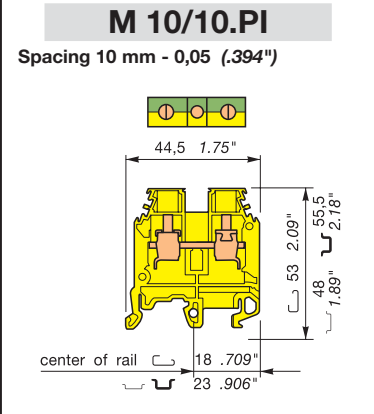
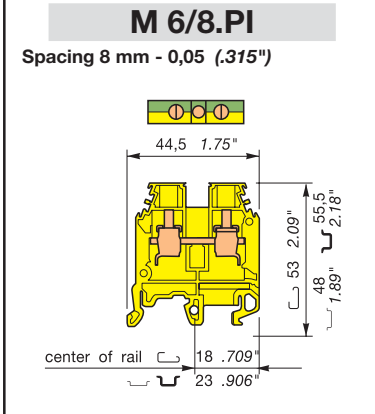
Screw clamp

DIN 1 - 3



refer to the section "Special Applications" for part numbers and characteristics.

Other accessories of these terminal blocks : see pages of same size standard blocks.



Type	Part number	Type	Part number	Type	Part number
Yellow body with green strip on the top	M 6/8.PI 1SNA 165 451 R2100	Yellow body with green strip on the top	M 10/10.PI 1SNA 165 452 R2200	Yellow body with green strip on the top	M 16/12.PI 1SNA 165 453 R2300

Characteristics		IEC	UL	CSA	IEC	UL	CSA	IEC	UL	CSA			
Wire size	Screw clamp	NEC DIN			NEC DIN			NEC DIN					
	Rigid	0,5-10 mm ²	22-8 AWG	24-8 AWG	0,5-16 mm ²	20-6 AWG	18-6 AWG	2,5-25 mm ²	14-4 AWG	14-4 AWG			
	Flexible	0,5-6 mm ²	22-8 AWG	24-8 AWG	0,5-10 mm ²	20-6 AWG	18-6 AWG	2,5-16 mm ²	14-4 AWG	14-4 AWG			
Short circuit current		720A/1s			1200A/1s			1920A/1s					
Rated wire size / Gauge		6 mm ² / A5	8 AWG	8 AWG	10 mm ² / B6	6 AWG	6 AWG	16 mm ² / B7	4 AWG	4 AWG			
Other characteristics		Wire stripping length: 12 mm .47"	Recomm. screwdriver: 4-5 mm .157"- .197"	Recomm. torque: 0,8-1 Nm 7.1-8.9 lb.in	Protection: IP 20 NEMA 1	Wire stripping length: 12 mm .47"	Recomm. screwdriver: 5,5-6 mm .217"- .238"	Recomm. torque: 1,2-1,4 Nm 10.6-12.3 lb.in	Protection: IP 20 NEMA 1	Wire stripping length: 14 mm .55"	Recomm. screwdriver: 5,5 mm .22"	Recomm. torque: 1,2-1,4 Nm 10.6-12.3 lb.in	Protection: IP 10

Approvals: TÜV, UL, CE, etc.

Accessories	Type	Part number	Type	Part number	Type	Part number
1 End section yellow	FEM6 th.2,8 mm	1SNA 103 062 R2100	FEM6 th.2,8 mm	1SNA 103 062 R2100	FEM12 th.3 mm	1SNA 103 065 R2400
2 Separator end section grey	SCF6 th.3 mm	1SNA 118 707 R0300	SCF6 th.3 mm	1SNA 118 707 R0300	SCF12 th.3 mm	1SNA 113 102 R1000
R See markers marking method	RC810 - RCT810		RC810 - RCT810 RC1010		RC65 - RC610 RC810 RC1010	

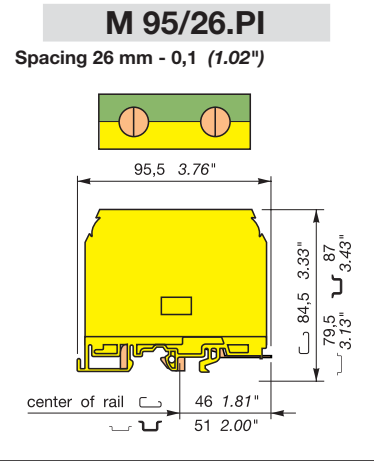
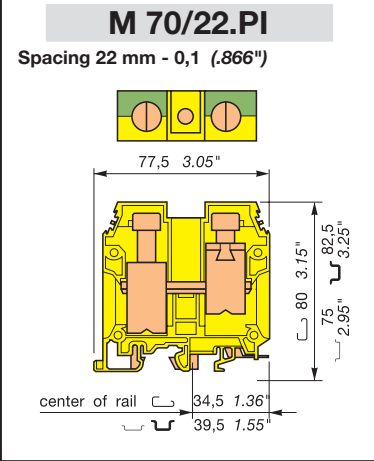
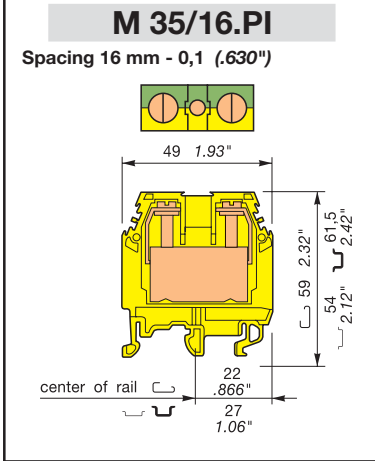
Ground terminal blocks not electrically connected to the mounting rail (isolated ground)

Screw clamp

DIN 1 - 3

refer to the section "Special Applications" for part numbers and characteristics.

Other accessories of these terminal blocks : see pages of same size standard blocks.



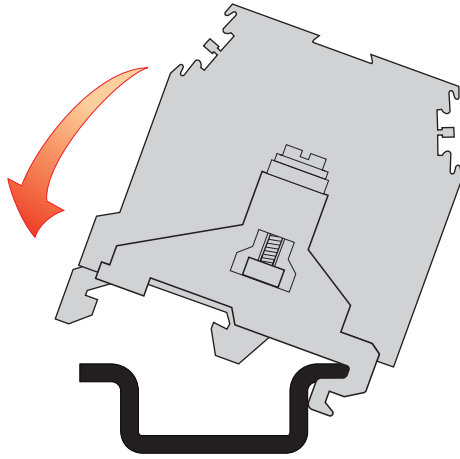
Type	Part number	Type	Part number	Type	Part number
Yellow body with green strip on the top	M 35/16.PI 1SNA 165 454 R2400	Yellow body with green strip on the top	M 70/22.PI 1SNA 165 596 R1300	Yellow body with green strip on the top	M 95/26.PI 1SNA 165 556 R2200

Characteristics		IEC	UL	CSA	IEC	UL	CSA	IEC	UL	CSA			
Wire size	Screw clamp	NEC DIN			NEC DIN			NEC DIN					
	Rigid	1-50 mm ²	16-0 AWG	16-0 AWG	16-95 mm ²	4-00 AWG	4-00 AWG	35-120 mm ²	2/0000 AWG	2/000 AWG max.			
	Flexible	1-35 mm ²	16-2 AWG	16-2 AWG	16-70 mm ²	4-00 AWG	4-00 AWG	35-95 mm ²					
Short circuit current		4200A/1s			8400A/1s			11400A/1s					
Rated wire size / Gauge		35 mm ² / B9	0 AWG	0 AWG	70 mm ² / B11	00 AWG	00 AWG	95 mm ² / B12	0000 AWG	000 AWG			
Other characteristics		Wire stripping length: 17 mm .669"	Recomm. screwdriver: 6,5-7 mm .255"- .276"	Recomm. torque: 2,8-3 Nm 24.3-26.1 lb.in	Protection: IP 10	Wire stripping length: 25 mm .98"	Recomm. screwdriver: 6 pans creux 6 mm .236" Allen Key	Recomm. torque: 6-7 Nm 52-61 lb.in	Protection: IP 10	Wire stripping length: 26 mm 1.02"	Recomm. screwdriver: 6 pans creux 6 mm .236" Allen Key	Recomm. torque: 8,5-9,5 Nm 74-83 lb.in	Protection: IP 20 NEMA 1

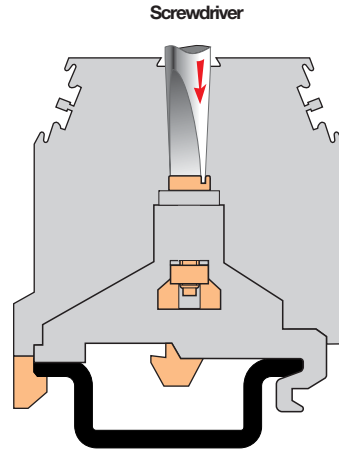
Approvals: TÜV, UL, CE, etc.

Accessories	Type	Part number	Type	Part number	Type	Part number
1 End section yellow	FEM16 th.3 mm	1SNA 103 061 R2000	FEM22 th.3 mm	1SNA 103 881 R1400	Closed block	
2 Separator end section grey	SCF16 th.3 mm	1SNA 113 101 R1700	SCF22 th.3 mm	1SNA 113 851 R1600		
R See markers marking method	RC65 - RC610 RTM9 RC810 RC1010		RC65 - RC610 RC810 RC1010		RC65 - RC610 RC810 RC1010	

Terminal blocks screwed on the mounting rail : instructions

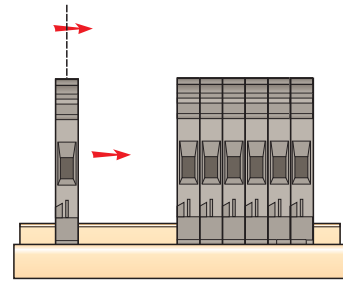


1. Position the block on the mounting rail



2. Screw down the center of the block to tighten the movable foot on the rail

Screwed blocks can slide on the rail.



Ground terminal blocks electrically connected to the mounting rail

Screw clamp

DIN 1 - 3



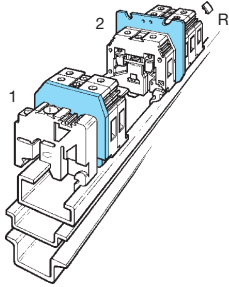
refer to the section "Special Applications" for part numbers and characteristics.

		MA 2,5/5.P Spacing 5 mm + 0,08 (.200")				M 4/6.P Spacing 6 mm + 0,05 (.238")				M 4/6.3A.P Spacing 6 mm + 0,05 (.238")			
		Type		Part number		Type		Part number		Type		Part number	
		Green-yellow		MA 2,5/5.P 1SNA 165 488 R2700		Green-yellow		M 4/6.P 1SNA 165 113 R1600		Green-yellow		M 4/6.3A.P.V0 1SNA 195 637 R1200	
		Terminal block for ground wire, same size as MA 2,5/5 terminal block.				Terminal block for ground wire, same size as M 4/6 terminal block.				Terminal block for ground wire, same size as M 4/6.3A terminal block.			
Characteristics		IEC		UL		IEC		UL		IEC		UL	
Wire size		NFC-DIN		CSA		NFC-DIN		CSA		NFC-DIN		CSA	
Screw clamp		Rigid		22-12 AWG		22-12 AWG		24-12 AWG		22-10 AWG		12 AWG max.	
		Flexible		22-12 AWG		22-12 AWG		24-12 AWG		22-10 AWG		12 AWG max.	
Short circuit current		300A/1s				480A/1s				480A/1s			
Rated wire size / Gauge		2,5 mm ² /A3		12 AWG		4 mm ² /A4		10 AWG		4 mm ² /A4		10 AWG	
Other characteristics		Wire stripping length		Recomm. screwdriver		Recomm. torque		Protection		Wire stripping length		Recomm. screwdriver	
		10 mm .39"		3,5 mm .14"		0,4-0,6 Nm 3,5-5,3 lb.in				9,5 mm .37"		4 mm .16"	
										0,5-0,8 Nm 4,4-7,1 lb.in		0,5-0,8 Nm 4,4-7,1 lb.in	
Approvals													
Accessories		Type		Part number		Type		Part number		Type		Part number	
1 End section		yellow yellow		FEM6 th.2,8 mm 1SNA 103 062 R2100		FEM6 th. 2,8 mm 1SNA 103 062 R2100		FEM6 th. 2,8 mm 1SNA 103 062 R2100		FEM3AP green th.3 mm 1SNA 199 876 R2600			
2 Separator end section		grey		SCF6 th.3 mm 1SNA 118 707 R0300		SCF6 th. 3 mm 1SNA 118 707 R0300		SCF6 th. 3 mm 1SNA 118 707 R0300					
On rail : Recomm.screwdriver/Recomm.torque				3,5 mm .14" / 0,6 Nm 5.5 lb.in				4 mm .16" / 0,8 Nm 7.0 lb.in				4 mm .16" / 0,8 Nm 7.0 lb.in	
R See markers		marking method		RC55 - RC510 RCT610				RC65 - RC610 RCT610				RC65 - RC610 RCT610	

Ground terminal blocks electrically connected to the mounting rail

Screw clamp

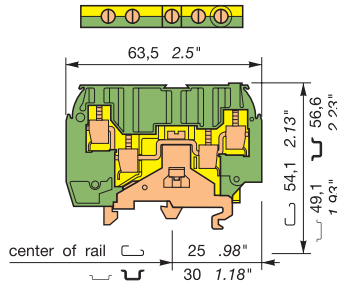
DIN 1 - 3



refer to the section "Special Applications" for part numbers and characteristics.

M 4/6.4A.P

Spacing 6 mm + 0,05 (.238")



Type Part number

Green-yellow **M 4/6.4A.P.V0** 1SNA 195 638 R2300

Terminal block for ground wire, same size as M 4/6.4A terminal block.

IEC	UL	CSA
NFC-DIN		
Wire size	22-10 AWG	12 AWG max.
Rigid	0,22-4 mm ²	12 AWG max.
Flexible	22-10 AWG	12 AWG max.
Short circuit current	480A/1s	

Rated wire size / Gauge 4 mm²/A4 10 AWG 12 AWG

Wire stripping length	Recomm. screwdriver	Recomm. torque	Protection
9,5 mm .37"	4 mm .16"	0,5-0,8 Nm 4.4-7.1 lb.in	

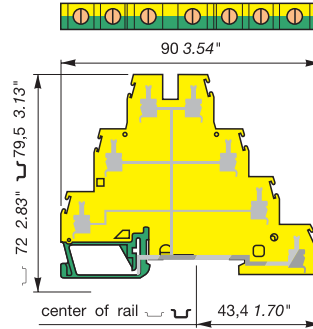
Approvals

Accessories

Type	Part number
1 End section green yellow grey	FEM4AP th. 3 mm 1SNA 199 879 R0100
2 Separator end section	
On rail : Recomm.screwdriver/Recomm.torque	4 mm .16" / 0,8 Nm 7.0 lb.in
R See markers marking method	RC65 - RC610 RCT610

D 4/6.P.T1

Spacing 6 mm + 0,05 (.238")



Type Part number

Green-yellow **D 4/6.P.T1** 1SNA 199 220 R0000

DIN 3 only

Terminal block for ground wire, same size as D 4/6.T... terminal block.

IEC	UL	CSA
NFC-DIN		
Wire size	24-10 AWG	24-10 AWG
Rigid	0,22-4 mm ²	24-10 AWG
Flexible	24-10 AWG	24-10 AWG
Short circuit current	480A/1s	

Rated wire size / Gauge 4 mm²/A4 10 AWG 10 AWG

Wire stripping length	Recomm. screwdriver	Recomm. torque	Protection
9,5 mm .37"	4 mm .16"	0,5-0,8 Nm 4.4-7.1 lb.in	IP 20 NEMA 1

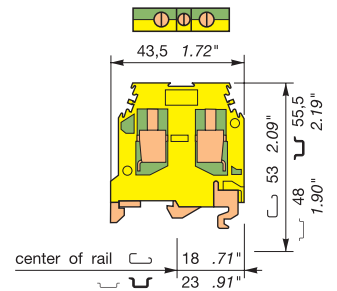
Approvals

Accessories

Type	Part number
closed block	
On rail : Recomm.screwdriver/Recomm.torque	4 mm .16" / 0,8 Nm 7.0 lb.in
R See markers marking method	RC65

M 6/8.P

Spacing 8 mm - 0,05 (.315")



Type Part number

Green-yellow **M 6/8.P** 1SNA 165 114 R1700

Terminal block for ground wire, same size as M 6/8 terminal block.

IEC	UL	CSA
NFC-DIN		
Wire size	22-8 AWG	24-8 AWG
Rigid	0,5-10 mm ²	24-8 AWG
Flexible	22-8 AWG	24-8 AWG
Short circuit current	720A/1s	

Rated wire size / Gauge 6 mm²/A5 8 AWG 8 AWG

Wire stripping length	Recomm. screwdriver	Recomm. torque	Protection
12 mm .47"	4-5 mm .16" - .20"	0,8-1 Nm 7.1-8.9 lb.in	

Approvals

Accessories

Type	Part number
FEM6 th. 2,8 mm	1SNA 103 062 R2100
SCF6 th. 3 mm	1SNA 118 707 R0300
On rail : Recomm.screwdriver/Recomm.torque	4 mm .16" / 0,8 Nm 7.0 lb.in
R See markers marking method	RC65 - RC610 RCT810

Ground terminal blocks electrically connected to the mounting rail

Screw clamp

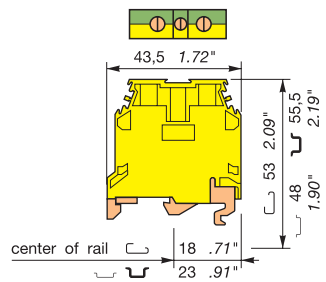
DIN 1 - 3



refer to the section "Special Applications" for part numbers and characteristics.

M 10/10.P

Spacing 10 mm - 0,05 (.394")



Type Part number

Green-yellow **M 10/10.P** 1SNA 165 115 R1000

Terminal block for ground wire, same size as M 10/10 terminal block.

IEC	UL	CSA
NFC-DIN		
Wire size	20-6 AWG	18-6 AWG
Rigid	0,5-16 mm ²	18-6 AWG
Flexible	20-6 AWG	18-6 AWG
Short circuit current	1200A/1s	

Rated wire size / Gauge 10 mm²/B6 6 AWG 6 AWG

Wire stripping length	Recomm. screwdriver	Recomm. torque	Protection
12 mm .47"	5,5-6 mm .22" - .24"	1,2-1,4 Nm 10.6-12.4 lb.in	

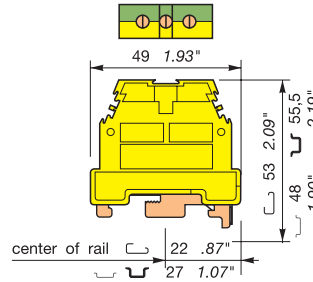
Approvals

Accessories

Type	Part number
closed block	
2 Separator end section grey	SCFM6 th. 3 mm 1SNA 114 825 R0500
On rail : Recomm.screwdriver/Recomm.torque	4 mm .16" / 0,8 Nm 7.0 lb.in
R See markers marking method	RCT810 RC810 RC1010

M 16/12.P

Spacing 12 mm - 0.1 (.473")



Type Part number

Green-yellow **M 16/12.P** 1SNA 165 130 R2300

Terminal block for ground wire, same size as M 16/12 terminal block.

IEC	UL	CSA
NFC-DIN		
Wire size	14-4 AWG	10-6 AWG
Rigid	4-25 mm ²	10-6 AWG
Flexible	14-4 AWG	10-6 AWG
Short circuit current	1920A/1s	

Rated wire size / Gauge 16 mm²/B7 4 AWG 6 AWG

Wire stripping length	Recomm. screwdriver	Recomm. torque	Protection
14 mm .55"	5,5 mm .22"	1,2-1,4 Nm 10.6-12.4 lb.in	

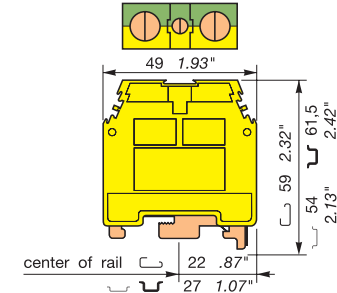
Approvals

Accessories

Type	Part number
closed block	
2 Separator end section grey	SCFM6 th. 3 mm 1SNA 114 825 R0500
On rail : Recomm.screwdriver/Recomm.torque	5,5 mm .22" / 1,0 Nm 9.0 lb.in
R See markers marking method	RCT810 RC810 RC1010

M 35/16.P

Spacing 16 mm - 0.1 (.630")



Type Part number

Green-yellow **M 35/16.P** 1SNA 165 111 R1400

Terminal block for ground wire, same size as M 35/16 terminal block.

IEC	UL	CSA
NFC-DIN		
Wire size	8-0 AWG	6-4 AWG
Rigid	4-50 mm ²	6-4 AWG
Flexible	8-0 AWG	6-4 AWG
Short circuit current	4200A/1s	

Rated wire size / Gauge 35 mm²/B9 0 AWG 4 AWG

Wire stripping length	Recomm. screwdriver	Recomm. torque	Protection
17 mm .67"	8 mm .32"	2,8-3 Nm 24.9-26.7 lb.in	

Approvals

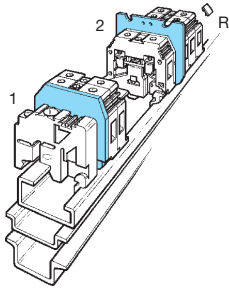
Accessories

Type	Part number
closed block	
2 Separator end section grey	SCFM6 th. 3 mm 1SNA 114 825 R0500
On rail : Recomm.screwdriver/Recomm.torque	5,5 mm .22" / 1,0 Nm 9.0 lb.in
R See markers marking method	RTM9 RC810 RC1010

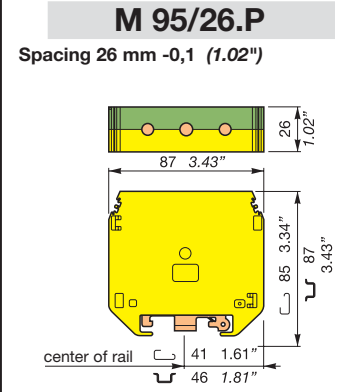
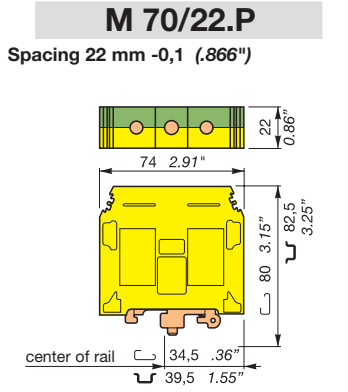
Ground terminal blocks electrically connected to the mounting rail

Screw clamp

DIN 1 - 3 (37,5x15)



refer to the section "Special Applications" for part numbers and characteristics.



Type	Part number
Green-Yellow	M 70/22.P 1SNA 399 024 R2300

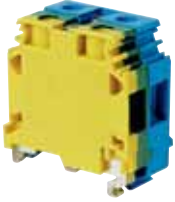
Type	Part number
Green-Yellow	M 95/26.P 1SNA 399 176 R0000

Characteristics		IEC		UL/CSA		IEC		UL		CSA	
		NFC	DIN			NFC-DIN					
Wire size	Screw clamp	16-95 mm ²		6-000 AWG		35-120 mm ²		0000 AWG		0000 AWG	
	Rigid Flexible	16-70 mm ²		6-000 AWG		35-95 mm ²					
Short circuit current		8400 A / 1s.		6600 A / 1s.		11400A/1s					
Rated wire size / Gauge		70 mm ² / A11		000 AWG		95 mm ² /B12		0000 AWG		0000 AWG	
Other characteristics		Wire stripping length	Recomm. screwdriver	Recomm. torque	Protection	Wire stripping length	Recomm. screwdriver	Recomm. torque	Protection		
		25 mm .98"	6 mm .236" Allen Key	6-7 Nm 52-61 lb.in	IP 20	26 mm 1.02"	6 mm .236" Allen Key	8,5-9,5 Nm 74-83 lb.in	IP 20		
Approvals											
Accessories		Type	Part number			Type	Part number				
1	End section yellow		closed block				closed block				
2	Separator end section grey										
R	See markers marking method	RC1010				RC1010					

Ground + neutral terminal blocks
Ground connected to the mounting rail and linked with a neutral block

Screw clamp

DIN 1-3



End stop		th. 9 mm	BADL	V0	1SNA 399 903 R0200
End stop		th. 10 mm	BAM2	V2	1SNA 206 351 R1600
End stop		th. 10 mm	BAM2 V0	V0	1SNA 296 351 R0000
Rail		35 x 7,5 x 1	PR3.Z2		1SNA 174 300 R1700
Rail		35 x 15 x 2,3	PR4		1SNA 168 500 R1200
Rail		35 x 15 x 1,5	PR5		1SNA 168 700 R2200
Rail		32 x 15 x 1,5	PR1.Z2		1SNA 163 050 R0400

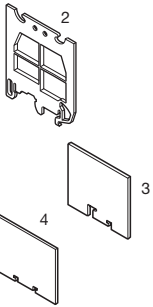
Other end stops, rails and accessories : see section on accessories.

Notes

For ground blocks, connection with mounting rail :

	Recomm. screwdriver	Recomm. torque
M 10/10.PE.N	4 mm .16"	0,8 Nm 7.1 lb.in
M 16/12.PE.N	5,5 mm .22"	1 Nm 8.8 lb.in

Accessories



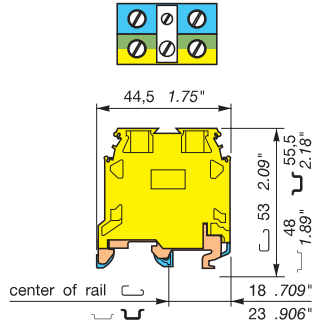
- 1 End section
- 2 Separator end section grey
- 3 Separator end section grey
- 4 Separator end section grey



R See section on markers marking method

M 10/10.PE.N

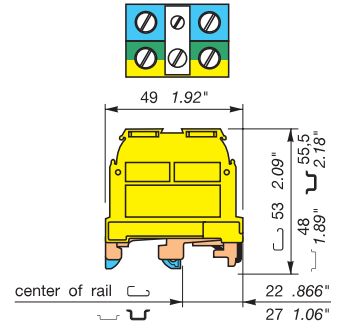
Spacing 20 mm - 0,2 (.787")



M 10/10.P block connected to M 10/10.N block through a removable jumper.

M 16/12.PE.N

Spacing 24 mm - 0,2 (.945")



M 16/12.P block connected to M 16/12.N block through a removable jumper.



Colour	Type	Part numbers
Green-yellow/blue body		M 10/10.PE.N 1SNA 165 683 R2200

Colour	Type	Part numbers
Green-yellow/blue body		M 16/12.PE.N 1SNA 165 680 R0300

Characteristics

Wire size	IEC		UL	CSA
	NFC	DIN		
Screw clamp	Rigid	0,5 to 16 mm ²		
	Flexible	0,5 to 10 mm ²		

Characteristics

Wire size	IEC		UL	CSA
	NFC	DIN		
Screw clamp	Rigid	2,5 to 25 mm ²		
	Flexible	2,5 to 16 mm ²		

Voltage

Rated	630V		
Impulse withstand	8 kV		
Pollution degree	3		

Voltage

Rated	800 V		
Impulse withstand	8 kV		
Pollution degree	3		

Current

Rated	57 A		
Short-circuit	1200 A/1s		

Current

Rated	76 A		
Short-circuit	1920 A/1s		

Wire size

Rated / Gauge	10 mm ² /B6			Protection
Wire strip. length	Recomm. screwdriver	Recomm. torque		
12 mm .47"	5,5 mm .22"	1,2-1,4 Nm 10.6-12.3 lb.in		

Wire size

Rated / Gauge	16 mm ² /B7			Protection
Wire strip. length	Recomm. screwdriver	Recomm. torque		
14 mm .55"	5,5 mm .22"	1,2-1,4 Nm 10.6-12.3 lb.in		

Type	Part numbers			
Closed terminal block				
SCFM6 (1)	th. 3,0 mm	1SNA 114 825 R0500		
SCFEX1 (1)	th. 2,4 mm	1SNA 103 619 R0400		
SCFEX3 (1)	th. 2,4 mm	1SNA 103 620 R0100		

Type	Part numbers			
Closed terminal block				
SCFM6 (1)	th. 3,0 mm	1SNA 114 825 R0500		
SCFEX1 (1)	th. 2,4 mm	1SNA 103 619 R0400		
SCFEX3 (1)	th. 2,4 mm	1SNA 103 620 R0100		

RC65 - RC610 RCT810 RC810 RC1010
 Note : (1) End sections and separators snapped on rails.

RC65 - RC610 RCT610 RC810 RC1010

