

Safety connection terminal blocks

Screw clamp

DIN 1 - 3



refer to the section "Special Applications" for part numbers and characteristics.

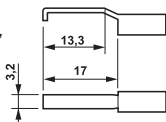
End stop		th. 9 mm	BADL	V0	1SNA 399 903 R0200
End stop		th. 10 mm	BAM2	V2	1SNA 206 351 R1600
End stop		th. 10 mm	BAM2 V0	V0	1SNA 296 351 R0000
Rail		35 x 7,5 x 1	PR3.Z2		1SNA 174 300 R1700
Rail		35 x 15 x 2,3	PR4		1SNA 168 500 R1200
Rail		35 x 15 x 1,5	PR5		1SNA 168 700 R2200
Rail		32 x 15 x 1,5	PR1.Z2		1SNA 163 050 R0400

Other end stops, rails and accessories : see section on accessories.

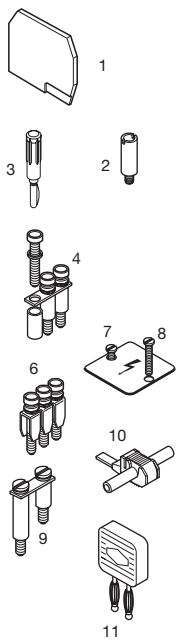
Notes

The use of some accessories may decrease the block's voltage rating. For more information, consult us.
BJDP4 permits the interconnection with a terminal block M 6/8.RS or M 10/10.RS

Each screw-clamp holds 2 bent lugs, as above (not supplied), for connection of wires :
 0,28 à 1,5 mm² / 1 à 2,5 mm²



Accessories



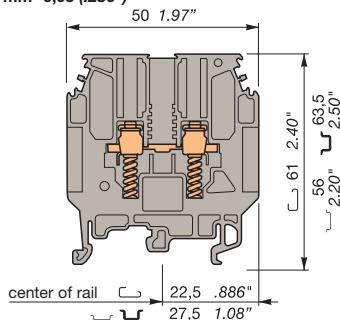
1	End section	grey beige
2	Test socket	
3	Test plug	
4	Jumper bar not assembled	
	Screw + post + washer IP20	
6	Assembled jumper bar (with IP20 protection)	
7	Protection label	
8	Screw for protection label	
9	Universal jumper bar	50 A
10	IDC jumper	
11	Bridging plug	



R See section on markers marking method

M 4/6.RS

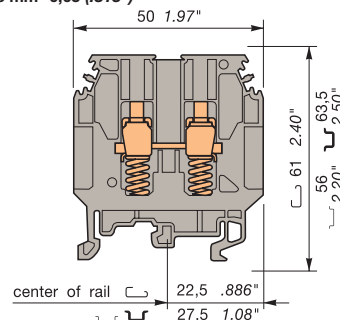
Spacing 6 mm -0,05 (.236")



Screw clamp terminal for bare wire or equipped with bent lug.

M 6/8.RS

Spacing 8 mm -0,05 (.315")



Screw clamp terminal for bare wire or equipped with bent lug.



Colour	Type	Part numbers
1 spring under each screw-clamp		
Grey	M 4/6.RS	1SNA 115 930 R1300
Blue	M 4/6.N.RS	1SNA 125 930 R1500

Colour	Type	Part numbers
1 spring under each screw-clamp		
Grey	M 6/8.RS	1SNA 115 685 R1200
Beige	M 6/8.RS V0	1SNA 195 685 R1300

Characteristics

Wire size	IEC			B.S. TS 50-18	CSA
	NFC	DIN			
Screw clamp	Rigid	0,2-4 mm ²			22-12 AWG
	Flexible	0,22-4 mm ²			22-12 AWG
Lugs	Flexible	0,5-1,5 mm ²		0,28-1,65 mm ²	

Voltage			
Rated	1000 V	500 V	600 V
Impulse withstand	8 kV		
Pollution degree	3		
Current			
Rated	32 A	25 A	25 A

Wire size	IEC			B.S. TS 50-18	UL/CSA
	NFC	DIN			
Screw clamp	Rigid	0,5-10 mm ²			20-12 AWG
	Flexible	0,5-6 mm ²			20-12 AWG
Lugs	Flexible			0,28-2,5 mm ²	

Characteristics

Wire size	IEC			B.S. TS 50-18	UL/CSA
	NFC	DIN			
Screw clamp	Rigid	0,5-10 mm ²			20-12 AWG
	Flexible	0,5-6 mm ²			20-12 AWG
Lugs	Flexible			0,28-2,5 mm ²	

Voltage			
Rated	800 V	500 V	600 V
Impulse withstand	8 kV		
Pollution degree	3		
Current			
Rated	41 A	25 A	25 A

Wire size	IEC			B.S. TS 50-18	UL/CSA
	NFC	DIN			
Screw clamp	Rigid	6 mm ² / A5		2,5 mm ²	12 AWG
	Flexible				
Lugs	Flexible				

Type	Part numbers	
FEMR8	th. 2,8 mm	1SNA 116 987 R0200
AL2	DIA. 2,0 mm	1SNA 163 043 R2100
FC2	DIA. 2,0 mm	1SNA 007 865 R2600
BJS6 (1)	32 A 2 poles	1SNA 164 573 R2200
BJS6 (1)	32 A 3 poles	1SNA 164 574 R2300
BJS6 (1)	32 A 4 poles	1SNA 164 575 R2400
BJS6 (1)	32 A 5 poles	1SNA 164 736 R2500
BJS6 (1)	32 A 10 poles	1SNA 164 576 R2500
BJS6 (1)	32 A 20 poles	1SNA 174 784 R2000
EV6l		1SNA 206 394 R0200
BJMI6 (1)	32 A 2 poles	1SNA 176 663 R0000
BJMI6 (1)	32 A 3 poles	1SNA 176 664 R0100
BJMI6 (1)	32 A 4 poles	1SNA 176 665 R0200
BJMI6 (1)	32 A 5 poles	1SNA 176 666 R0300
BJMI6 (1)	32 A 10 poles	1SNA 176 667 R0400
EP6	4 blocks	1SNA 163 427 R1700
VSP68		1SNA 206 103 R0700
BJDP4 (2)	sp. 6 <-> sp. 8 or 10	1SNA 174 781 R2500

Type	Part numbers	
FEMR8	th. 2,8 mm	1SNA 116 987 R0200
FEMR8 V0	th. 2,8 mm	1SNA 196 987 R0300
AL4	DIA. 4,0 mm	1SNA 179 762 R1600
FC4	DIA. 4,0 mm	1SNA 167 860 R0100
BJS8 (1)	41 A 2 poles	1SNA 164 581 R1300
BJS8 (1)	41 A 3 poles	1SNA 164 582 R1400
BJS8 (1)	41 A 4 poles	1SNA 164 583 R1500
BJS8 (1)	41 A 5 poles	1SNA 164 737 R2600
BJS8 (1)	41 A 10 poles	1SNA 164 584 R1600
BJS8 (1)	41 A 15 poles	1SNA 174 788 R0400
BJS8 (1)	41 A 20 poles	1SNA 174 789 R0500
EV6l		1SNA 206 394 R0200
BJMI8 (1)	41 A 2 poles	1SNA 176 669 R1600
BJMI8 (1)	41 A 3 poles	1SNA 176 670 R1300
BJMI8 (1)	41 A 4 poles	1SNA 176 671 R0000
BJMI8 (1)	41 A 5 poles	1SNA 176 672 R0100
BJMI8 (1)	41 A 10 poles	1SNA 176 673 R0200
EP6	3 blocks	1SNA 163 427 R1700
EP8	4 blocks	1SNA 163 428 R2000
VSP68		1SNA 206 103 R0700
AD 2,5	24 A	1SNA 114 205 R2000
BP8.A4		1SNA 173 888 R2000

RC65 - RC610 Sides of blocks and RCT 610 top of blocks

RC810 Sides of blocks and RCT 810 top of blocks

Note : (1) Use of these accessories requires the user to cut out the partition.
 (2) See "Notes".

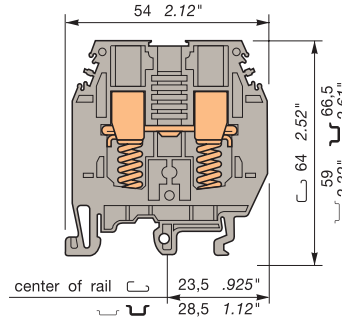
Safety connection terminal blocks

Screw clamp

DIN 1 - 3

M 10/10.RS

Spacing 10 mm -0,05 (.394")



Screw clamp terminal for bare wire or equipped with bent lug.

--	--	--

Colour	Type	Part numbers	Colour	Type	Part numbers
1 spring under each screw-clamp					
Grey	M 10/10.RS	1SNA 115 320 R2700			
Beige	M 10/10.RS V0	1SNA 195 320 R2000			

refer to the section "Special Applications" for part numbers and characteristics.

End stop		th. 9 mm	BADL	V0	1SNA 399 903 R0200
End stop		th. 10 mm	BAM2	V2	1SNA 206 351 R1600
End stop		th. 10 mm	BAM2 V0	V0	1SNA 296 351 R0000
Rail		35 x 7,5 x 1	PR3.Z2		1SNA 174 300 R1700
Rail		35 x 15 x 2,3	PR4		1SNA 168 500 R1200
Rail		35 x 15 x 1,5	PR5		1SNA 168 700 R2200
Rail		32 x 15 x 1,5	PR1.Z2		1SNA 163 050 R0400

Other end stops, rails and accessories : see section on accessories.

Characteristics

Wire size	IEC			B.S. TS 50-18	UL/CSA	Wire size	IEC			
	NFC	DIN					NFC	DIN	TS 50-18	CSA
Screw clamp	Rigid	0,5-16 mm ²			20-6 AWG	Screw clamp	Rigid			
	Flexible	0,5-10 mm ²			20-6 AWG		Flexible			
Lugs	Flexible	0,28-6 mm ²				Lugs	Flexible			

Voltage

Rated	900 V	500 V	600 V	Rated			
Impulse withstand	8 kV			Impulse withstand			
Pollution degree	3			Pollution degree			

Current

Rated	41 A	40 A	65 A	Rated			
-------	------	------	------	-------	--	--	--

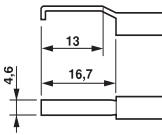
Wire size

Rated / Gauge	10 mm ² / A5	6 mm ²	6 AWG	Rated / Gauge			
Wire strip. length	Recomm. Screwdriver	Recomm. torque	Protection	Wire strip. length	Recomm. Screwdriver	Recomm. torque	Protection
14 mm	5,5-6 mm	1,2 - 1,4 Nm	IP 20				
.55"	.217"-.236"	10.6 - 12.3 lb.in	NEMA 1				

Notes

Each screw-clamp holds 2 bent lugs, as above (not supplied), for connection of wires :

0,28 to 1,5 mm²
1 to 2,5 mm²
2,5 to 6 mm² (2)



The use of some accessories may decrease the block's voltage rating. For more information, consult us.

Accessories

	1 End section	grey beige
	2 Test socket	
	3 Test plug	
	4 Jumper bar not assembled	
	5 Protection label	
	6 Screw for protection label	
	7 IDC jumper	
	R See section on markers marking method	

Accessories

Type	Part numbers	Type	Part numbers
FEMR10	th. 2,5 mm 1SNA 114 434 R0500		
FEMR10 V0	th. 2,5 mm 1SNA 194 434 R0600		
AL4	DIA. 4,0 mm 1SNA 168 237 R0500		
FC4	DIA. 4,0 mm 1SNA 167 860 R0100		
BJS10 (1)	57 A 2 poles 1SNA 164 585 R1700		
BJS10 (1)	57 A 3 poles 1SNA 164 586 R1000		
BJS10 (1)	57 A 4 poles 1SNA 164 587 R1100		
BJS10 (1)	57 A 5 poles 1SNA 168 273 R1100		
BJS10 (1)	57 A 10 poles 1SNA 164 588 R2200		
BJS10 (1)	57 A 20 poles 1SNA 177 654 R0000		
PL101	1SNA 163 181 R1100		
VSJ11	1SNA 163 394 R2600		
EP8	3 blocks 1SNA 163 428 R2000		
EP10	4 blocks 1SNA 163 429 R2100		
VSP68	1SNA 206 103 R0700		
AD 2,5	24 A 1SNA 114 205 R2000		
RC65 - RC610	RTM9 RC810 RC1010		

Note : (1) Use of these accessories requires the user to cut out the partition.
(2) Only for M 10/10.RS

Heavy duty switch terminal blocks with safety connection

Screw clamp

DIN 1 - DIN 3



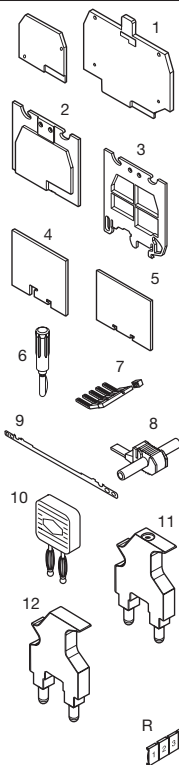
End stop		th. 9 mm	BADL	V0	1SNA 399 903 R0200
End stop		th. 10 mm	BAM2	V2	1SNA 206 351 R1600
End stop		th. 10 mm	BAM2 V0	V0	1SNA 296 351 R0000
End stop		th. 9,1 mm	BAMH	V2	1SNA 114 836 R0000
End stop		th. 9,1 mm	BAMH V0	V0	1SNA 194 836 R0100
Rail		35 x 7,5 x 1	PR3.Z2		1SNA 174 300 R1700
Rail		35 x 15 x 2,3	PR4		1SNA 168 500 R1200
Rail		35 x 15 x 1,5	PR5		1SNA 168 700 R2200
Rail		32 x 15 x 1,5	PR1.Z2		1SNA 163 050 R0400

Other end stops, rails and accessories : see section on accessories.

Notes

The use of some accessories may decrease the block's voltage rating. For more information, consult us.

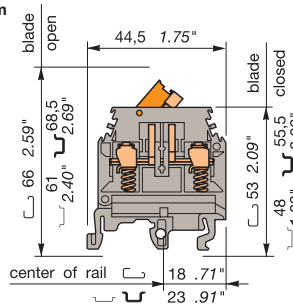
Accessories



1	End section	grey	FEM6	th. 2,8 mm	1SNA 118 368 R1600
2	Separator end section (block)	grey	SCF6	th. 3 mm	1SNA 118 707 R0300
3	Separator end section (rail)	grey	SCFM6	th. 3 mm	1SNA 114 825 R0500
4	Separator end section	grey	SCFEX1		th. 2,4 mm 1SNA 103 619 R0400
5	Separator end section	grey	SCFEX3		th. 2,4 mm 1SNA 103 620 R0100
6	Test plug		FC2	DIA. 2 mm	1SNA 007 865 R2600
7	Comb-type jumper bar		PC61	35 A 10 poles	1SNA 163 311 R2200
8	IDC jumper		AD2,5	24 A	1SNA 114 205 R2000
9	Shield connector		CBM5	th. 0,5 mm	1SNA 178 745 R1400
			CBM8	th. 0,8 mm	1SNA 178 746 R1500
10	Bridging plug				
11	Short-circuiting plug with test socket DIA. 4 mm/.16"				
12	Short-circuiting plug without test				
R	See section on markers marking method				

M 4/6.SNTS

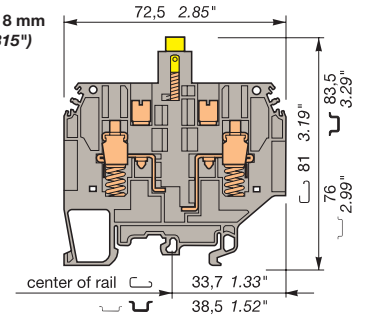
Spacing 6 mm + 0,05 (.238")



M 4/6.SN equipped with 2 test socket screws DIA. 2 mm/.079" with pressure springs under wire clamp for bare wire or wire equipped with flat lug.

M 6/8.STP.RS

Spacing 8 mm - 0,05 (.315")



Switch connection by a yellow push-turn knob (1/4 turn). Block equipped with 2 test sockets DIA. 4 mm/.16", pressure springs under wire clamps for bare wire or wire equipped with bent lug.

	Colour	Type	Part numbers
	Grey / Orange	M 4/6.SNTS	1SNA 115 229 R2000
	Beige / Orange	M 4/6.SNTS	1SNA 195 229 R2100

	Colour	Type	Part numbers
	Grey	M 6/8.STP.RS	1SNA 115 678 R0200

Characteristics

Wire size		IEC	UL	CSA
		NFC DIN		
Screw clamp	Rigid	0,5-4 mm ²	22-10 AWG	20-12 AWG
	Flexible	0,5-4 mm ²	22-10 AWG	20-12 AWG
Lug				
	Flexible			

Characteristics

Wire size		IEC	B.S.	UL/CSA
		NFC DIN	TS 50-18	NRTL/C
Screw clamp	Rigid	0,5-10 mm ²		20-12AWG
	Flexible	0,5-6 mm ²		20-12 AWG
Lug				
	Flexible		0,28-2,5 mm ²	

Voltage

Rated	500 V	300 V	300 V
Impulse withstand			
Pollution degree			

Voltage

Rated	500 V	500 V	600 V
Impulse withstand	6 kV		
Pollution degree	3		

Current

Rated	10 A	10 A	10 A
-------	------	------	------

Current

Rated	24 A	25 A	25 A
-------	------	------	------

Wire size

Rated / Gauge	4 mm ²	10 AWG	12 AWG
Wire stripping length	Recomm. screwdriver	Recomm. torque	Protection
	9,5 mm .374"	4 mm .157"	0,5-0,6 Nm 4.4-5.3 lb.in
			IP 20 NEMA 1

Wire size

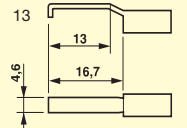
Rated / Gauge	6 mm ² / A5	2,5 mm ²	8 AWG
Wire stripping length	Recomm. screwdriver	Recomm. torque	Protection
	13 mm .512"	4-5 mm .157"-.197"	0,8-1 Nm 7.1-8.9 lb.in
			IP 20

RC65 - RC610	Sides of block
--------------	----------------

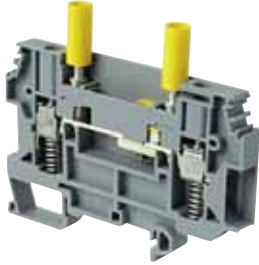
FEMR8T	th. 2,8 mm	1SNA 116 991 R0600
FEMR8T V0	th. 2,8 mm	1SNA 196 991 R0700
FC4	DIA. 4 mm	1SNA 167 860 R0100
AD2,5	24 A	1SNA 114 205 R2000
BP8.A4		1SNA 173 888 R2000
BNSTP1	light ivory	1SNA 196 792 R1700
BNSTP1	grey	1SNA 196 793 R1000
BNSTP2	red	1SNA 196 789 R2400
BNSTP2	grey	1SNA 196 790 R2100
RC810	Sides of block	

Each wire clamp holds 2 bent lugs max. (not supplied) as hereunder for connection of wires :

0,28 to 1,5 mm²
1 to 2,5 mm²
2,5 to 6 mm²



Terminal blocks for test circuits with safety connections Screw clamp DIN 3



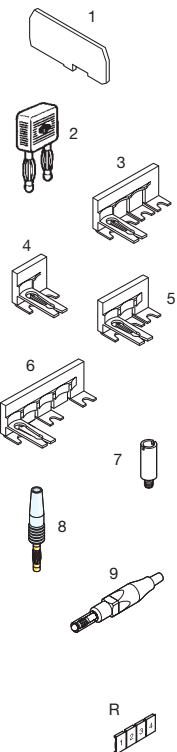
End stop		th. 9 mm	BADL	V0	1SNA 399 903 R0200
End stop		th. 10 mm	BAM2	V2	1SNA 206 351 R1600
End stop		th. 10 mm	BAM2 V0	V0	1SNA 296 351 R0000
Rail		35 x 7,5 x 1	PR3.Z2		1SNA 174 300 R1700
Rail		35 x 15 x 2,3	PR4		1SNA 168 500 R1200
Rail		35 x 15 x 1,5	PR5		1SNA 168 700 R2200
Rail		32 x 15 x 1,5	PR1.Z2		1SNA 163 050 R0400

Other end stops, rails and accessories : see section on accessories.

Notes

The use of some accessories may decrease the block's voltage rating. For more information, consult us. The terminal blocks of the **D 6/8.ST** series are called test blocks as their main function in current transformer circuits is to be able to test, measure, compare, change a protection or metering equipment without disturbing the circuits. The spring loaded clamp prevents extraction of cable in case of loosening of the screw.

Accessories

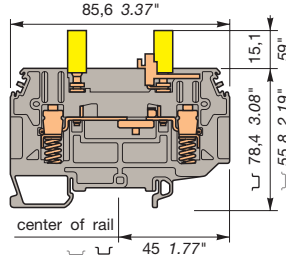


1	End section				
2	Bridging plug				
3	Sliding switch bridge	4 poles			
4	Sliding switch bridge	2 poles			
5	Sliding switch bridge	3 poles			
6	Sliding switch bridge	3 poles			
7	Test socket				
8	Test plug				
9	Test plug with IP20 mobile protection	red			

R See section on markers marking method

D 6/8.ST1.RS

Spacing 8 mm - 0,05 (.315")



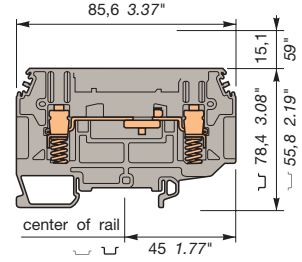
Switch connection by yellow sliding link operated by screw driver, equipped with 2 test socket screws DIA. 4 mm/ .16". Block equipped with pressure spring under the clamp for bare cable or equipped with bended ferrules.



Colour	Type	Part numbers
Grey	<input type="checkbox"/> D 6/8.ST1.RS	1SNA 115 831 R0400

D 6/8.ST.RS

Spacing 8 mm - 0,05 (.315")



Switch connection by yellow sliding link operated by screw driver. Block equipped with a pressure spring under the clamp for bare cable or equipped with bended ferrules.



Colour	Type	Part numbers
Grey	<input type="checkbox"/> D 6/8.ST.RS	1SNA 115 914 R0700

Characteristics

Wire size		IEC		B.S.	CSA
		NFC	DIN	TS 50-18	
Screw clamp	Rigid	0,5-10 mm ²			
	Flexible	0,5-6 mm ²			
Lugs	Flexible			0,28-2,5 mm ²	

Voltage				
Rated		400 V		
Impulse withstand		6 kV		
Pollution degree		3		

Current				
Rated		24 A		

Wire size		6 mm ² / A5		2,5 mm ²		Protection	
Rated / Gauge							
Wire stripping length	Recomm. screwdriver	Recomm. torque					
16 mm	5 mm	0,8-1 Nm				IP 20	
.51"	.20"	7.1-8.9 lb.in				NEMA 1	

Characteristics

Wire size		IEC		B.S.	CSA
		NFC	DIN	TS 50-18	
Screw clamp	Rigid	0,5-10 mm ²			
	Flexible	0,5-6 mm ²			
Lugs	Flexible			0,28-2,5 mm ²	

Voltage				
Rated		400 V		
Impulse withstand		6 kV		
Pollution degree		3		

Current				
Rated		24 A		

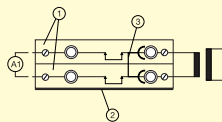
Wire size		6 mm ² / A5		2,5 mm ²		Protection	
Rated / Gauge							
Wire stripping length	Recomm. screwdriver	Recomm. torque					
16 mm	5 mm	0,8-1 Nm				IP 20	
.51"	.20"	7.1-8.9 lb.in				NEMA 1	

Type	Part numbers	
FEM8T6	th. 1 mm	1SNA 215 266 R0100
BP8.A4		1SNA 173 888 R2000
PCS4	V0 IP 20	1SNA 199 870 R0400
PCS2	V0 IP 20	1SNA 199 871 R2100
PCS3	V0 IP 20	1SNA 199 872 R2200
PCS3/5	V0 IP 20	1SNA 199 873 R2300
FC4	DIA. 4,0 mm	1SNA 167 860 R0100
FC4-1	DIA. 4,0 mm	1SNA 167 927 R1000

Type	Part numbers	
BP8.A4		1SNA 173 888 R2000
PCS4	V0 IP 20	1SNA 199 870 R0400
PCS2	V0 IP 20	1SNA 199 871 R2100
AL4	NOT IP20 DIA. 4,0 mm	1SNA 163 240 R1700
FC4	DIA. 4,0 mm	1SNA 167 860 R0100
FC4-1	DIA. 4,0 mm	1SNA 167 927 R1000

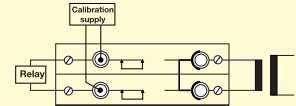
Applications : TEST DIAGRAMS OF CURRENT TRANSFORMER (T.I.)

- Normal operation

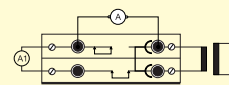


- ① Terminal block
- ② End section
- ③ Sliding switch bridge

- Protection circuit test (no superposition of current circuits)



- Control of measuring value : (ammeter calibration)



RC65 - RC610 RC810

RC65 - RC610 RC810