

# Pluggable Terminal blocks Insulation displacement



Feed-through 1 ADO - 1 pluggable  
2 ADO - 1 pluggable

DIN 3



End stop	th. 10 mm	BAM2 V0	1SNA 399 967 R0100
Rail	35 x 7,5 x 1	PR3.Z2	1SNA 174 300 R1700
Rail	35 x 15 x 2,3	PR4	1SNA 168 500 R1200
Rail	35 x 15 x 1,5	PR5	1SNA 168 700 R2200

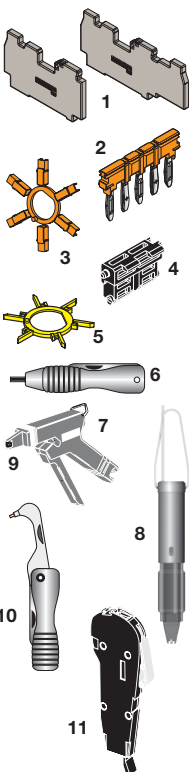
Other end stops, rails and accessories : see section on accessories.

## Notes

Body material is UL 94 V0

\* : Caution, maximum current of "terminal block and plug" set is limited by the device with the lowest current rating.

## Accessories

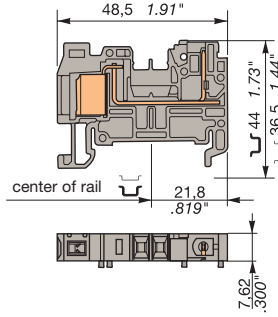


1	End section	grey beige
2	Jumper bar	
3	6 isolation kit for jumper bar	
4	Locking lever	
5	6 coding peg kit	
6	Hand tool kit	
7	Semi-automatic tool	
8	Pneumatic tool kit	
9	Replacement head kit	
10	Extraction tool kit	
11	Test connector	

R See section on markers marking method

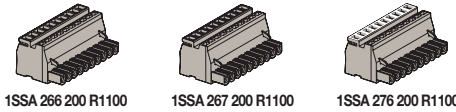
## D 1,5/7.ADO-CPE

Spacing 7,62 mm .300"



Colour	Type	Part number
Grey	D 1,5/7.ADO-CPE	1SNA 290 486 R2700

Mating female plugs :



## Characteristics

Wire size	Wire size	
	IEC	UL/CSA
ADO	0,34 - 1,5 mm <sup>2</sup>	22-16 AWG

1 or 2 wires (same wire size) per ADO jaw

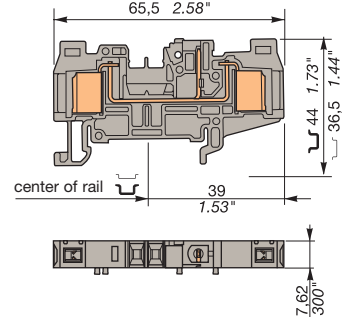
Voltage		
Rated	500 V	300 V
Impulse withstand		
Pollution degree	3	

Current		
Rated	16 A*	15 A*

Wire size			
Rated	1,5 mm <sup>2</sup>		16 AWG
Body weight	Metallic part weight	Total weight	Protection
4,5 g	3,8 g	8,3 g	IP 20
0,01 lb	0,008 lb	0,018 lb	NEMA 1

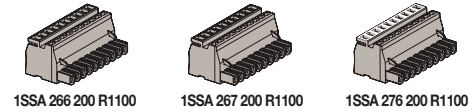
## D 1,5/7.2ADO-CPE

Spacing 7,62 mm .300"



Colour	Type	Part number
Grey	D 1,5/7.2ADO-CPE	1SNA 290 487 R2000

Mating female plugs :



## Characteristics

Wire size	Wire size	
	IEC	UL/CSA
ADO	0,34 - 1,5 mm <sup>2</sup>	22-16 AWG

1 or 2 wires (same wire size) per ADO jaw

Voltage		
Rated	500 V	300 V
Impulse withstand		
Pollution degree	3	

Current		
Rated	16 A*	15 A*

Wire size			
Rated	1,5 mm <sup>2</sup>		16 AWG
Body weight	Metallic part weight	Total weight	Protection
5,5 g	6,1 g	11,6 g	IP 20
0,012 lb	0,013 lb	0,025 lb	NEMA 1

Type	Part numbers
FECPE.ADO (1)	th. 2,9 mm 1SNA 291 832 R1600
FECPE.ADO (1)	th. 2,9 mm 1SNA 400 019 R0400
BJE 762.2 (1)	2 poles 1SNA 290 451 R0300
BJE 762.5 (1)	5 poles 1SNA 290 452 R0400
BJE 762.10 (1)	10 poles 1SNA 290 453 R0500
EIP	1SNA 290 454 R0600
VRADO.CPE7 (2)	1SNA 400 063 R0000
COCE	1SNA 199 321 R2100
OUMAD	1SNA 179 466 R0600
OUPAD	1SNA 178 944 R0400
OUTAD	1SNA 205 710 R1100
OUTA	1SNA 205 284 R0300
EXAD2	1SNA 205 721 R0000
CEADO7	1SNA 399 347 R1300

Type	Part numbers
FECPE.2ADO (1)	th. 2,9 mm 1SNA 291 833 R1700
FECPE.2ADO (1)	th. 2,9 mm 1SNA 400 018 R0300
BJE 762.2 (1)	2 poles 1SNA 290 451 R0300
BJE 762.5 (1)	5 poles 1SNA 290 452 R0400
BJE 762.10 (1)	10 poles 1SNA 290 453 R0500
EIP	1SNA 290 454 R0600
VRADO.CPE7 (2)	1SNA 400 063 R0000
COCE	1SNA 199 321 R2100
OUMAD	1SNA 179 466 R0600
OUPAD	1SNA 178 944 R0400
OUTAD	1SNA 205 710 R1100
OUTA	1SNA 205 284 R0300
EXAD2	1SNA 205 721 R0000
CEADO7	1SNA 399 347 R1300

Strip marker RB-12W7 1SNA 290 455 R0700

Strip marker RB-12W7 1SNA 290 455 R0700

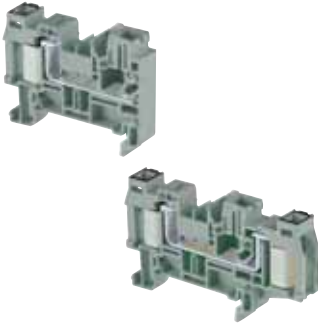
(1) Other colours, other pole numbers : on request.  
(2) - 1 VRADO.CPE7 2 pole locking lever can safely lock a mating female plug from 2 to 6 poles.  
- Up to 3 VRADO.CPE7 can be mounted together for single manipulation.

**Pluggable Terminal blocks**  
**Insulation displacement**



Feed-through 1 ADO - 1 pluggable  
2 ADO - 1 pluggable

DIN 3



End stop		th. 10 mm	BAM2 V0	1SNA 399 967 R0100
Rail		35 x 7,5 x 1	PR3.Z2	1SNA 174 300 R1700
Rail		35 x 15 x 2,3	PR4	1SNA 168 500 R1200
Rail		35 x 15 x 1,5	PR5	1SNA 168 700 R2200

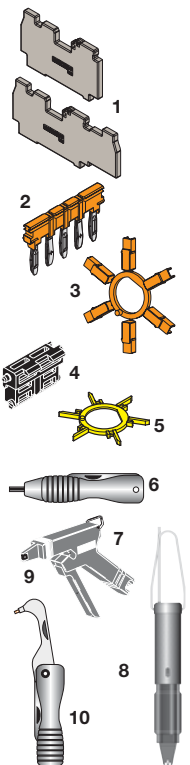
Other end stops, rails and accessories : see section on accessories.

**Notes**

Body material is UL 94 V0

\* : Caution, maximum current of "terminal block and plug" set is limited by the device with the lowest current rating.

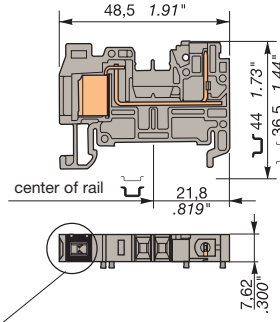
**Accessories**



1	End section	grey beige
2	Jumper bar	
3	6 isolation kit for jumper bar	
4	Locking lever	
5	6 coding peg kit	
6	Hand tool kit	
7	Semi-automatic tool	
8	Pneumatic tool kit	
9	Replacement head kit	
10	Extraction tool kit	
R	See section on markers	marking method

**D 2,5/7.ADO-CPE**

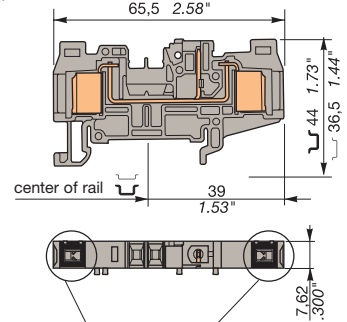
Spacing 7,62 mm .300"



Black marking to identify wire size.

**D 2,5/7.2ADO-CPE**

Spacing 7,62 mm .300"



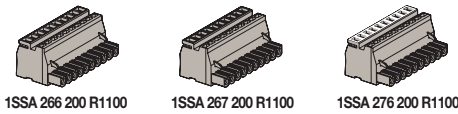
Black marking to identify wire size.

--	--	--	--

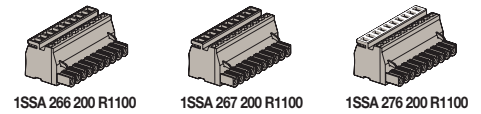
Colour	Type	Part number
Grey	D 2,5/7.ADO-CPE	1SNA 290 483 R2400

Colour	Type	Part number
Grey	D 2,5/7.2ADO-CPE	1SNA 290 484 R2500

Mating female plugs :



Mating female plugs :



**Characteristics**

Wire size	Wire size	
	IEC	UL/CSA
ADO	1 - 2,5 mm <sup>2</sup>	16-14 AWG
1 or 2 wires (same wire size) per ADO jaw		

**Characteristics**

Wire size	Wire size	
	IEC	UL/CSA
ADO	1 - 2,5 mm <sup>2</sup>	16-14 AWG
1 or 2 wires (same wire size) per ADO jaw		

**Voltage**

Rated	500 V	300 V
Impulse withstand		
Pollution degree	3	

**Voltage**

Rated	500 V	300 V
Impulse withstand		
Pollution degree	3	

**Current**

Rated	24 A*	15 A*
-------	-------	-------

**Current**

Rated	24 A*	15 A*
-------	-------	-------

**Wire size**

Rated		2,5 mm <sup>2</sup>		14 AWG	
Body weight	Metallic part weight	Total weight	Protection	Body weight	Metallic part weight
4,5 g	3,8 g	8,3 g	IP 20	5,5 g	6,1 g
0.01 lb	0.008 lb	0.018 lb	NEMA 1	0.012 lb	0.013 lb

**Wire size**

Rated		2,5 mm <sup>2</sup>		14 AWG	
Body weight	Metallic part weight	Total weight	Protection	Body weight	Metallic part weight
4,5 g	3,8 g	8,3 g	IP 20	5,5 g	6,1 g
0.01 lb	0.008 lb	0.018 lb	NEMA 1	0.012 lb	0.013 lb

Type	Part numbers	
FECPE.ADO (1)	th. 2,9 mm	1SNA 291 832 R1600
FECPE.ADO (1)	th. 2,9 mm	1SNA 400 019 R0400
BJE 762.2 (1)	2 poles	1SNA 290 451 R0300
BJE 762.5 (1)	5 poles	1SNA 290 452 R0400
BJE 762.10 (1)	10 poles	1SNA 290 453 R0500
EIP		1SNA 290 454 R0600
VRADO.CPE7 (2)		1SNA 400 063 R0000
COCE		1SNA 199 321 R2100
OUMAD		1SNA 179 466 R0600
OUPAD		1SNA 178 944 R0400
OUTAD		1SNA 205 710 R1100
OUTA		1SNA 205 284 R0300
EXAD2		1SNA 205 721 R0000

Type	Part numbers	
FECPE.2ADO (1)	th. 2,9 mm	1SNA 291 833 R1700
FECPE.2ADO (1)	th. 2,9 mm	1SNA 400 018 R0300
BJE 762.2 (1)	2 poles	1SNA 290 451 R0300
BJE 762.5 (1)	5 poles	1SNA 290 452 R0400
BJE 762.10 (1)	10 poles	1SNA 290 453 R0500
EIP		1SNA 290 454 R0600
VRADO.CPE7 (2)		1SNA 400 063 R0000
COCE		1SNA 199 321 R2100
OUMAD		1SNA 179 466 R0600
OUPAD		1SNA 178 944 R0400
OUTAD		1SNA 205 710 R1100
OUTA		1SNA 205 284 R0300
EXAD2		1SNA 205 721 R0000

Strip marker RB-12W7 1SNA 290 455 R0700

Strip marker RB-12W7 1SNA 290 455 R0700

- (1) Other colours, other pole numbers : on request.
- (2) - 1 VRADO.CPE7 2 pole locking lever can safely lock a mating female plug from 2 to 6 poles.
- Up to 3 VRADO.CPE7 can be mounted together for single manipulation.

# Pluggable Terminal blocks Insulation displacement



Feed-through 1 ADO - 1 pluggable  
2 ADO - 1 pluggable

DIN 3



End stop		th. 10 mm	BAM2 V0	1SNA 399 967 R0100
Rail		35 x 7,5 x 1	PR3.Z2	1SNA 174 300 R1700
Rail		35 x 15 x 2,3	PR4	1SNA 168 500 R1200
Rail		35 x 15 x 1,5	PR5	1SNA 168 700 R2200

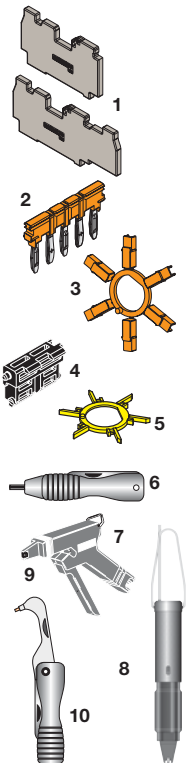
Other end stops, rails and accessories : see section on accessories.

## Notes

Body material is UL 94 V0

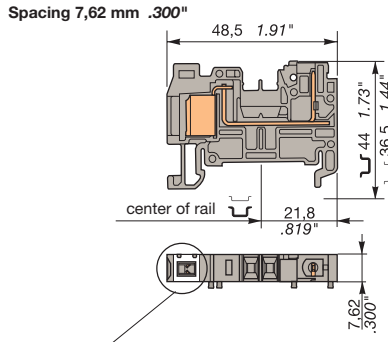
\* : Caution, maximum current of "terminal block and plug" set is limited by the device with the lowest current rating.

## Accessories

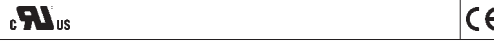


1	End section	grey
2	Jumper bar	beige
3	6 isolation kit for jumper bar	
4	Locking lever	
5	6 coding peg kit	
6	Hand tool kit	
7	Semi-automatic tool	
8	Pneumatic tool kit	
9	Replacement head kit	
10	Extraction tool kit	
R	See section on markers	marking method

### D 4/7.ADO-CPE

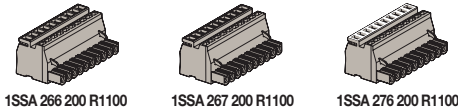


White marking to identify wire size.



Colour	Type	Part number
Grey	D 4/7.ADO-CPE	1SNA 290 481 R2200

Mating female plugs :



### Characteristics

Wire size	Wire size	
	IEC	UL/CSA
ADO	4 mm <sup>2</sup>	12 AWG
1 wire per ADO jaw		

### Voltage

Rated	500 V	300 V
Impulse withstand		
Pollution degree	3	

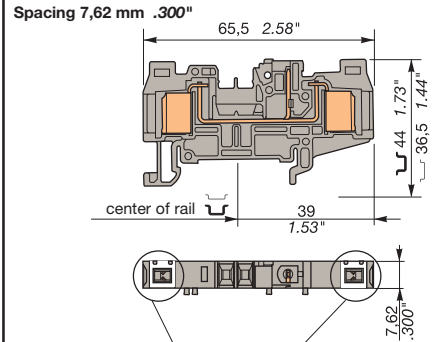
### Current

Rated	24 A*	18 A*
-------	-------	-------

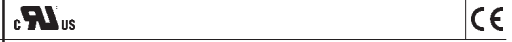
### Wire size

Rated	Wire size		Protection
	4 mm <sup>2</sup>	12 AWG	
Body weight	Metallic part weight	Total weight	Protection
4,5 g	3,8 g	8,3 g	IP 20
0.01 lb	0.008 lb	0.018 lb	NEMA 1

### D 4/7.2ADO-CPE

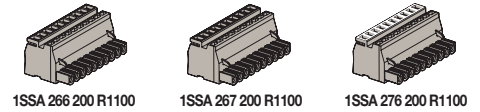


White marking to identify wire size.



Colour	Type	Part number
Grey	D 4/7.2ADO-CPE	1SNA 290 482 R2300

Mating female plugs :



### Characteristics

Wire size	Wire size	
	IEC	UL/CSA
ADO	4 mm <sup>2</sup>	12 AWG
1 wire per ADO jaw		

### Voltage

Rated	500 V	300 V
Impulse withstand		
Pollution degree	3	

### Current

Rated	24 A*	18 A*
-------	-------	-------

### Wire size

Rated	Wire size		Protection
	4 mm <sup>2</sup>	12 AWG	
Body weight	Metallic part weight	Total weight	Protection
5,5 g	6,1 g	11,6 g	IP 20
0.012 lb	0.013 lb	0.025 lb	NEMA 1

## Accessories

Type	Part numbers	
FECPE.ADO (1)	th. 2,9 mm	1SNA 291 832 R1600
FECPE.ADO (1)	th. 2,9 mm	1SNA 400 019 R0400
BJE 762.2 (1)	2 poles	1SNA 290 451 R0300
BJE 762.5 (1)	5 poles	1SNA 290 452 R0400
BJE 762.10 (1)	10 poles	1SNA 290 453 R0500
EIP		1SNA 290 454 R0600
VRADO.CPE7 (2)		1SNA 400 063 R0000
COCE		1SNA 199 321 R2100
OUMAD		1SNA 179 466 R0600
OUPAD		1SNA 178 944 R0400
OUTAD		1SNA 205 710 R1100
OUTA		1SNA 205 284 R0300
EXAD2		1SNA 205 721 R0000
Strip marker	RB-12W7	1SNA 290 455 R0700

Type	Part numbers	
FECPE.2ADO (1)	th. 2,9 mm	1SNA 291 833 R1700
FECPE.2ADO (1)	th. 2,9 mm	1SNA 400 018 R0300
BJE 762.2 (1)	2 poles	1SNA 290 451 R0300
BJE 762.5 (1)	5 poles	1SNA 290 452 R0400
BJE 762.10 (1)	10 poles	1SNA 290 453 R0500
EIP		1SNA 290 454 R0600
VRADO.CPE7 (2)		1SNA 400 063 R0000
COCE		1SNA 199 321 R2100
OUMAD		1SNA 179 466 R0600
OUPAD		1SNA 178 944 R0400
OUTAD		1SNA 205 710 R1100
OUTA		1SNA 205 284 R0300
EXAD2		1SNA 205 721 R0000
Strip marker	RB-12W7	1SNA 290 455 R0700

(1) Other colours, other pole numbers : on request.  
 (2) - 1 VRADO.CPE7 2 pole locking lever can safely lock a mating female plug from 2 to 6 poles.  
 - Up to 3 VRADO.CPE7 can be mounted together for single manipulation.