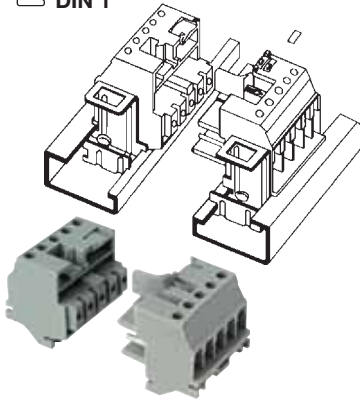


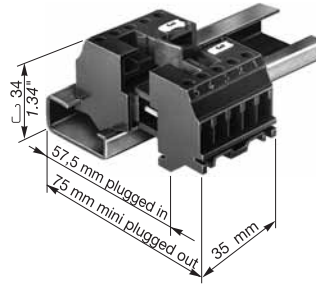
Connectors

DIN 1



- Pin DIA. 2 mm with patented flexible contact
- Key element device
- Locking in plugged position
- Double adjustment on rail

CF 4/5



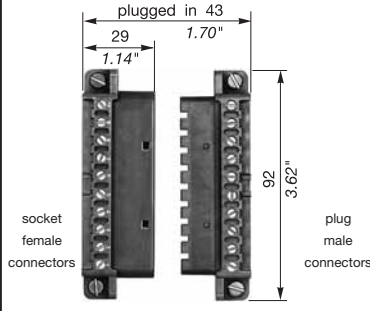
Slides on PR1 DIN rail

5 circuits with screw clamp connection

Grey **CF 4/5** 1SNA 115 028 R1200
Female part only

Grey **CF 4/5** 1SNA 115 029 R1300
Male part only

CF 4/10



socket female connectors

plug male connectors

delivered with fixing screw CM4/12 + nuts.

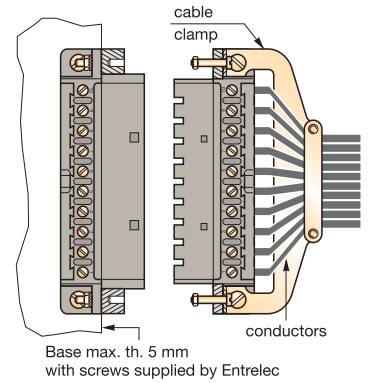
10 circuits with screw clamp connection

Grey **CF 4/10** 1SNA 115 050 R2400
Socket (female connectors)

Grey **CF 4/10** 1SNA 115 051 R1100
Plug (male connectors)

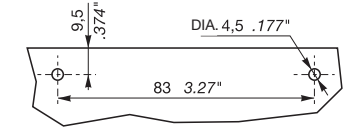
Mounting

Flat view



Base max. th. 5 mm with screws supplied by Entelec

DRILLING



Wire size

Conductors	H07 V-R
CENELEC	H07 V-K
Wire strip. length - Recom. screwdriver	7 mm - DIA. 4

screw clamp mm ²	0,5 - 4
Conductors	0,5 - 4
Wire strip. length - Recom. screwdriver	7 mm - DIA. 4

screw clamp mm ²	0,5 - 4
Conductors	0,5 - 4
Wire strip. length - Recom. screwdriver	7 mm - DIA. 4

Electrical characteristics

	~ Un V =	In A	Sn mm ²
UTE - NFC 20040 Cat. C - NFC 63065	500	30	4
VDE - 0110 Group C - 0100 Group 2	500 600	27	4
CSA - 22-2 N° 14	300	25	12 AWG

	~ Un V =	In A	Sn mm ²
UTE - NFC 20040 Cat. C - NFC 63065	400 250	20	4
VDE - 0110 Group C - 0100 Group 2	500 600	20	4
CSA - 22-2 N° 14	300	20	12 AWG

Approvals



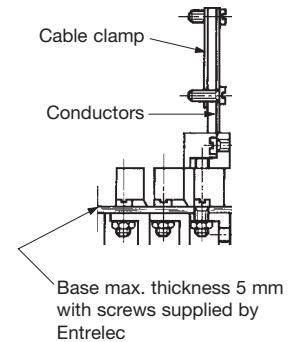
Accessories

Type	Part numbers
1 Rail \hookrightarrow 32 x 15 x 1,5	PR122 1SNA 163 050 R0400
2 End stop	BAE th. 10 mm 1SNA 164 519 R2400
Positive locking (1 per full connector)	
Straight short model cable clamp for flat cable (1 per plug or socket)	
Bent cable clamp for flat cable (1 per plug or socket)	
Coding pin (flat mount, 1 per full connector)	
Coding pin (base mount, 1 per full connector)	
R Marking method	

Type	Part numbers
VP	1SNA 168 279 R2700
STD1P	1SNA 168 275 R1300
STIP	1SNA 168 276 R1400
PC1	1SNA 173 703 R0600
PC2	1SNA 174 559 R0600
see below	

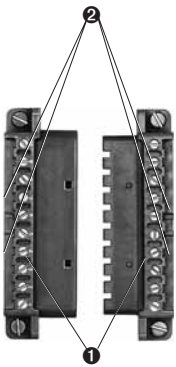
Cross

JUXTAPOSABLE



Base max. thickness 5 mm with screws supplied by Entelec

Marking



1 Plugs and sockets have moulded premarking.

2 REH2

REH2

Stickers 5 x 3,5 mm

Card of 1140 precut stickers

✓ Blank

REH2 1SNA 163 142 R2100

✓ Printed

8 séries de 001 à 140

REH2 1SNA 163 143 R2200

✓ Printed

8 series from 141 to 280

REH2 1SNA 163 148 R0700

Card of 300 precut stickers

✓ Printed

30 series from 001 to 010

REH2 1SNA 164 505 R2700

✓ Printed

15 series from 001 to 020

REH2 1SNA 164 506 R2000

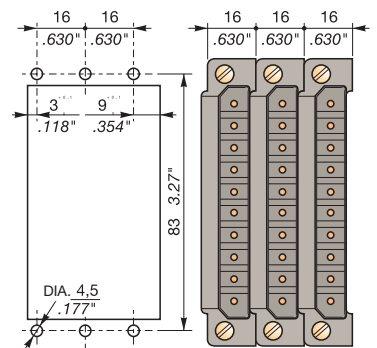
Card of 502 precut stickers

✓ Printed

6 series from 001 to 075 + 2 series from A to Z

REH2 1SNA 164 507 R2100

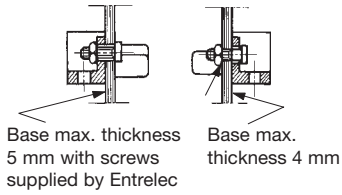
DRILLING



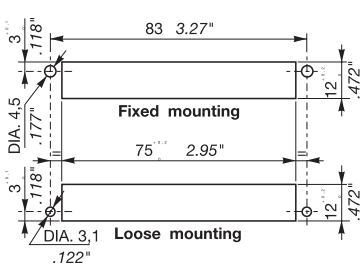
Mounting (cont.)

Bottom of drawer

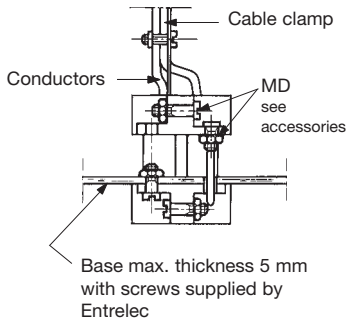
Fixed mounting for plug
Loose mounting for socket see accessories



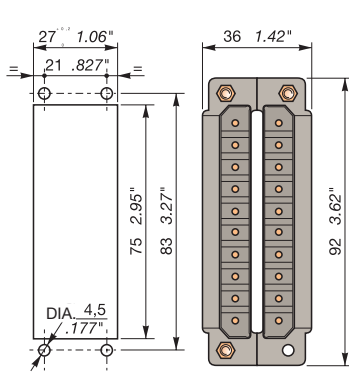
DRILLING



Double mounting (20 points)



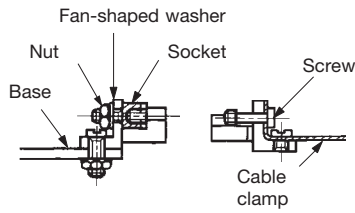
DRILLING



Accessories

VP Positive locking

VP 1SNA 168 279 R2700



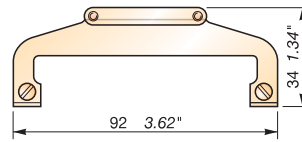
Mounting :
Mount the socket, the fan-shaped washer and the nut on the plug socket after fixing it on the base.

Mount the screw on the plug after fixing it on the potential cable clamp.

The positive locking cannot be used in a bottom of drawer, double or alley mounting.

STD Straight cable clamp

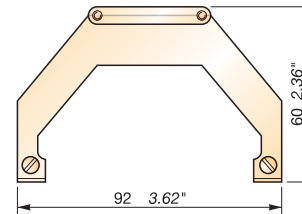
Short model



For flat cable

STD1P 1SNA 168 275 R1300

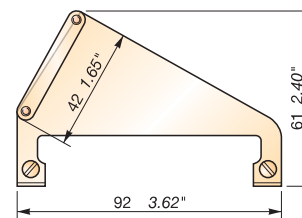
Long model



For flat cable

STD2P 1SNA 173 596 R1300

STI Bent cable clamp

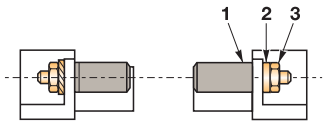


For flat cable

STIP 1SNA 168 276 R1400

PC Coding pins

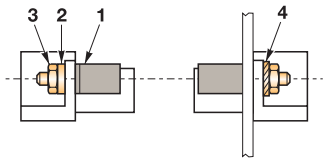
Flat mounting with coding



PC1 1SNA 173 703 R0600

- 1 Encoder
- 2 Fan-shaped washer
- 3 HM4 nut

Cross mounting with coding



PC2 1SNA 174 559 R0600

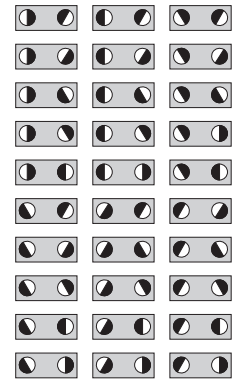
- 1 Encoder
- 2 Flat washer (to be mounted on the moving side)
- 3 HM4 nut
- 4 Fan-shaped washer

Coding details are the same for these two types of coding.

Each pin can be positioned in 6 different ways.

The positions shown hereunder are for coding pins on socket or plug ; put the coding pins in the reverse position on corresponding socket or plug.

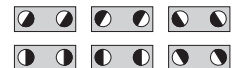
Part coding details



In some cases depending on the positions chosen, polarization of the connector is made by one coding pin only.

Ex :

6 cases of total coding



Polarization is made by 2 coding pins.