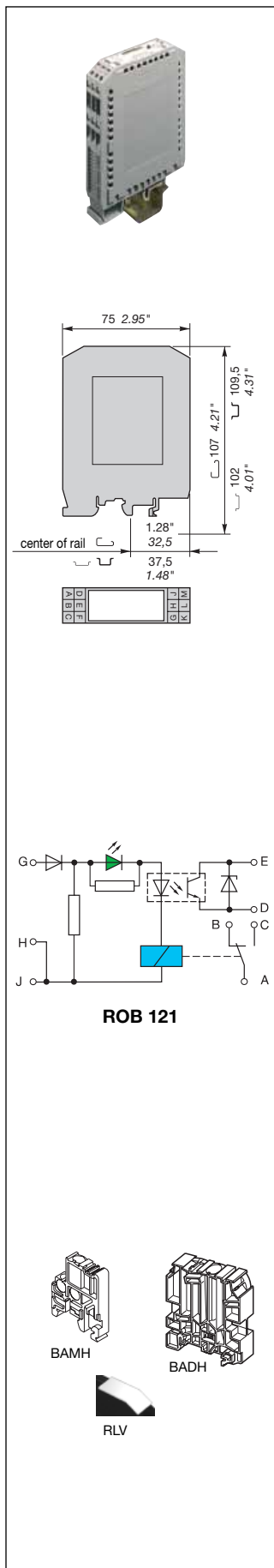


Electronic Interfaces



R11000 relay + optocoupler modules

DIN 1-3

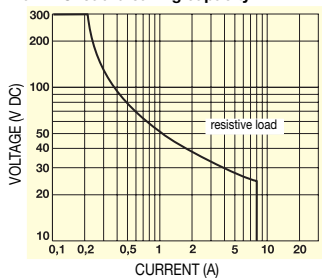


Relay + optocoupler : relay 1 SPDT and optocoupler 4.5 to 58 V DC / 30 mA output - 22.5 mm .886" spacing

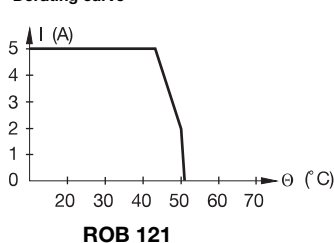
Characteristics

Relay-opto characteristics	ROB 121
INPUT	
Rated voltage +20%, -15% on DC ±15% on AC	24 V DC
Power	0.96 W
Rated current	40 mA
Drop-out voltage	15 V
Permissible leakage current	2.9 mA
OPTOCOUPLER OUTPUT	
Output voltage	4.5 to 58 V DC
Output current max.	30 mA
Output current min.	
Residual voltage at I max and U rated	typical 0.6 V
Operating speed	50 µs / 1.5 ms
Isolation input / output	2500 V RMS
RELAY OUTPUT	
Type	1 SPDT
Voltage switching range min./max.	12 V / 250 V
Current switching range min./max.	5 A
Number of on-load operations	2 × 10 ⁵
Number of off-load operations	3 × 10 ⁷
Operating speed	F 5 ms O 3 ms
Bounce	2 ms
Insulation coil / contact	3500 V RMS
Opto output / relay contact isolation	3500 V RMS
Ambient temperature storage	-40°C to +80°C
operating	see derating curve
Other characteristics	
Body material	grey UL 94 V2
Wire	Solid wire 0 - 4 mm ² / 20 - 12 AWG
size	Stranded wire 0 - 2.5 mm ² / 20 - 12 AWG
Rated wire size	2.5 mm ² / 12 AWG
Wire stripping length	7 mm .276"
Recommended screwdriver	3.5 mm .137"
Protection	IP20 NEMA1
Recommended torque	0.4 - 0.6 Nm 3.5 - 5.3 lb.in
Approvals	CE
Reference standards	CEI 947-7-1 / CEI 947-1 / CEI 1131-2 (parts) / CEI 60664-1 / CEM : IRC 1000-4-2, 3, 4, 5, 6

Max. DC load breaking capacity



Derating curve



Order codes

Description	Type	Order P/N	Packaging	Weight
Relay 1 SPDT - opto. 30 mA/DC module	ROB 121	24 V DC 1SNA 011 093 R0700	1	kg

Accessories

High end section	BADH	1SNA 116 900 R2700	50
	BAMH	1SNA 114 836 R0000	50
	BAMH V0	1SNA 194 836 R0100	50
Lengthwise marker	RLV	1SNA 103 849 R0300	100
Marking method	RC55	see markers	