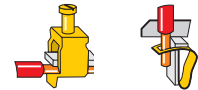


# Relay Interfaces

## R600 relay modules

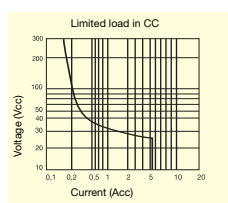


DIN 3

Relay : 1NO or 1NC high level contact 10 mA to 6 A - 6 mm .236" or 12 mm .472" spacing

### Characteristics

Relay characteristics	RB 111 A					RB 111 AI	RB 111 AR	RB 101 AR
<b>COIL</b>								
Rated voltage +20%, -15% on DC ; +10%, -10% on AC	24 VAC/DC	48 VAC/DC	60 VAC/DC	115 VAC/DC	±10% on AC +10% -15% on DC 230 VAC/DC	24 VAC/DC	24 VAC/DC	24 VAC/DC
Frequency	50 / 60 Hz	50 / 60 Hz	50 / 60 Hz	50 / 60 Hz	50 / 60 Hz	50 / 60 Hz	50 / 60 Hz	50 / 60 Hz
Power	0,24 W	0,34 W	0,54 W	0,46 W	0,8 W	0,24 W	0,24 W	0,24 W
Rated current	10 mA	7 mA	9 mA	4 mA	3,5 mA	10 mA	10 mA	10 mA
Drop-out voltage at 20°C	4,5 V	8 V	8 V	17 V	27 V	4,5 V	4,5 V	4,5 V
Status device	green LED						green LED	green LED
<b>CONTACT</b>								
Type	1 NO						1 NO + RC	1 NC + RC
Voltage switching range min./max.	12 V / 250 V AC							
Current switching range min./max.	10 mA / 6 A							
Load switching range	0,6 VA / 1500 VA (ohmic load)							
AC1 min. / max.	0,6 W / 140 W							
DC1 min. / max.	10 <sup>3</sup> on AC15							
Number of on-load operations	10 <sup>7</sup>							
Number of off-load operations								
Operating speed	F	5 ms	5 ms	5 ms	6 ms	7 ms	5 ms	5 ms
	O	8 ms	8 ms	8 ms	15 ms	15 ms	8 ms	8 ms
Bounce	1,2 ms						1,2 ms	1,2 ms
Insulation coil / contact	4000 V RMS						3800 V RMS	4000 V RMS
Resistance to shock coil / contact	4000 V RMS							
Insulation contact / contact	1000 V RMS							
Ambient temperature storage	-40°C to +80°C							
operating	-20°C to +70°C (1)							
<b>Other characteristics</b>	Screw clamp					Spring clamp		
Body material	grey					grey		
Wire	UL 94 V0					UL 94 V0		
Wire size	0,2 - 4 mm <sup>2</sup> / 24 - 12 AWG					0,2 - 2,5 mm <sup>2</sup> / 24 - 12 AWG		
Stranded wire	0,22 - 2,5 mm <sup>2</sup> / 24 - 12 AWG					0,22 - 2,5 mm <sup>2</sup> / 24 - 12 AWG		
Rated wire size	2,5 mm <sup>2</sup> / 12 AWG					2,5 mm <sup>2</sup> / 12 AWG		
Wire stripping length	9 mm .354"					9 mm .354"		
Recommended screwdriver	3,5 mm .137"					3,5 mm .137"		
Protection	IP20 NEMA1					IP20 NEMA1		
Recommended torque	0,4 - 0,6 Nm 3.5 - 5.3 lb.in					0,4 - 0,6 Nm 3.5 - 5.3 lb.in		
Approvals	us pending, CE							
Reference standards	CEI 947-7-1 / CEI 947-1 / CEI 1131-2 (in relevant parts) / CEI 60664-1 / CEM : IRC 1000-4-2, 3, 4, 5, 6.							



(1) Over 55°C, blocks have to be mounted on horizontal rail with 10 mm spacing between each block. For vertical rail mounting use temperature is 15°C less decreased.

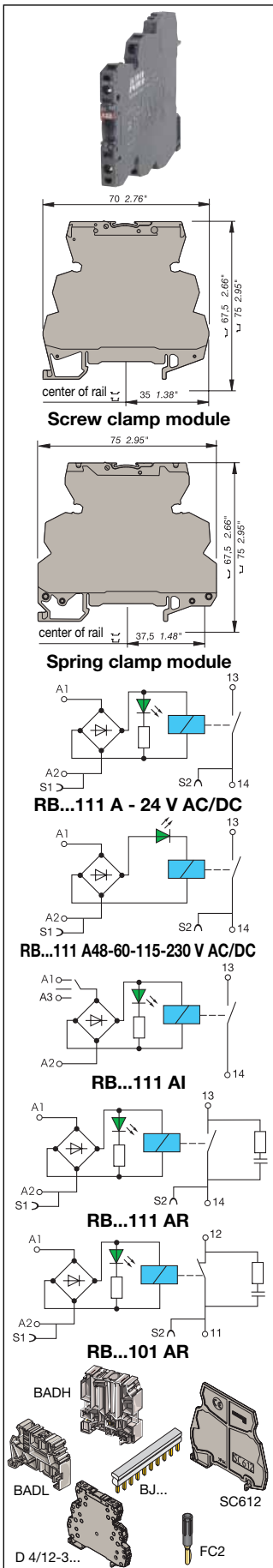
	DC12	AC12	DC13	AC15
24 V	6 A	6 A	1 A	3 A
110/120 V	0,3 A	6 A	0,2 A	3 A
220/230 V	0,2 A	6 A	0,1 A	3 A

### Order codes

Description	Type	Order P/N	Packaging	Weight
Relay module 1 NO high level 6 mm spacing	RB 111 A-24VAC/DC	1SNA 645 014 R2700	10	0,02
Relay module 1 NO high level 6 mm spacing	RB 111 A-48-60VAC/DC	1SNA 645 015 R2000	10	0,02
Relay module 1 NO high level 6 mm spacing	RB 111 A-115VAC/DC	1SNA 645 016 R2100	10	0,02
Relay module 1 NO high level 6 mm spacing	RB 111 A-230VAC/DC	1SNA 645 017 R2200	10	0,02
Relay mod. 1 NO high level w/safety switch 6 mm sp.	RB 111 AI-24VAC/DC	1SNA 645 063 R0000	10	0,02
Relay mod. 1 NO high level w/contact protection 12 mm sp.	RB 111 AR-24VAC/DC	1SNA 645 018 R0300	5	0,03
Relay mod. 1 NC high level w/contact protection 12 mm sp.	RB 101 AR-24VAC/DC	1SNA 645 019 R0400	5	0,03
Relay module 1 NO high level 6 mm spacing	RBR 111 A-24VAC/DC	1SNA 645 514 R2100	10	0,02
Relay module 1 NO high level 6 mm spacing	RBR 111 A-48-60VAC/DC	1SNA 645 515 R2200	10	0,02
Relay module 1 NO high level 6 mm spacing	RBR 111 A-115VAC/DC	1SNA 645 516 R2300	10	0,02
Relay module 1 NO high level 6 mm spacing	RBR 111 A-230VAC/DC	1SNA 645 517 R2400	10	0,02
Relay mod. 1 NO high level w/safety switch 6 mm sp.	RBR 111 AI-24VAC/DC	1SNA 645 563 R0200	10	0,02
Relay mod. 1 NO high level w/contact protection 12 mm sp.	RBR 111 AR-24VAC/DC	1SNA 645 518 R0500	5	0,03
Relay mod. 1 NC high level w/contact protection 12 mm sp.	RBR 101 AR-24VAC/DC	1SNA 645 519 R0600	5	0,03

### Accessories

End section	BADH V0	1SNA 116 900 R2700	50
	BADL V0	1SNA 399 903 R0200	50
	BAM2 V0	1SNA 399 967 R0100	50
Separator end section	SC 612	1SNA 290 474 R0200	10
Divisible shunt 10 poles	BJ 612-10	1SNA 290 488 R0100	10
Divisible shunt 70 poles	BJ 612-70	1SNA 290 489 R0200	10
Screw clamp distribution block sp. 12 mm	D4/12-3A-3A	1SNA 645 031 R2000	5
Spring clamp distribution block sp. 12 mm	D4/12-3L-3L	1SNA 645 531 R2200	5
Test plug DIA. 2 mm	FC2	1SNA 007 865 R2600	10
Marking method	RC65 RC610	see marking	



# Relay Interfaces

## R600 relay modules



DIN 3

Relay : 1 SPDT high level contact 10 mA to 6 A - 6 mm .236" spacing

### Characteristics

Relay characteristics COIL	RB 121		RB 121A				
	Rated voltage +20%, -15% on DC ; +10%, -10% on AC	5 V DC	12 V DC	24 VAC/DC	48 V AC/DC	60 V AC/DC	115 V AC/DC
Frequency			50 / 60 Hz	50 / 60 Hz	50 / 60 Hz	50 / 60 Hz	50 / 60 Hz
Power	0,2 W	0,2 W	0,24 W	0,33 W	0,54 W	0,46 W	0,8 W
Rated current	40 mA	16 mA	10 mA	7 mA	9 mA	4 mA	3,5 mA
Drop-out voltage at 20°C	1,2 V	2,2 V	4,5 V	8 V	8 V	17 V	27 V
Status device	green LED						

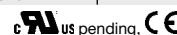
### CONTACT

Type	1 SPDT						
Voltage switching range min./max.	12 V / 250 V AC						
Current switching range min./max.	10 mA / 6 A						
Load switching range	0,6 VA / 1500 VA (ohmic load)						
	0,6 W / 140 W						
Number of on-load operations	10 <sup>5</sup> on AC15						
Number of off-load operations	10 <sup>7</sup>						
Operating speed	F 5 ms	5 ms	5 ms	5 ms	5 ms	6 ms	7 ms
	O 8 ms	8 ms	8 ms	8 ms	8 ms	15 ms	16 ms
Bounce	1,2 ms						
Insulation coil / contact	4000 V RMS						
Resistance to shock coil / contact	4000 V RMS						
Insulation contact / contact	1000 V RMS						
Ambient temperature storage	-40°C to +80°C						
operating	-20°C to +70°C (1)						

### Other characteristics

	Screw clamp	Spring clamp
Body material	grey	grey
Wire	Solid wire	Solid wire
Wire size	0,2 - 4 mm <sup>2</sup> / 24 - 12 AWG	0,2 - 2,5 mm <sup>2</sup> / 24 - 12 AWG
Stranded wire	0,22 - 2,5 mm <sup>2</sup> / 24 - 12 AWG	0,22 - 2,5 mm <sup>2</sup> / 24 - 12 AWG
Rated wire size	2,5 mm <sup>2</sup> / 12 AWG	2,5 mm <sup>2</sup> / 12 AWG
Wire stripping length	9 mm .354"	9 mm .354"
Recommended screwdriver	3,5 mm .137"	3,5 mm .137"
Protection	IP20 NEMA1	IP20 NEMA1
Recommended torque	0,4 - 0,6 Nm 3.5 - 5.3 lb.in	0,4 - 0,6 Nm 3.5 - 5.3 lb.in

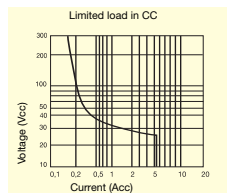
### Approvals



### Reference standards

CEI 947-7-1 / CEI 947-1 / CEI 1131-2 (in relevant parts) / CEI 60664-1 / CEM : IRC 1000-4-2, 3, 4, 5, 6.

(1) Over 55°C, blocks have to be mounted on horizontal rail with 10 mm spacing between each block. For vertical rail mounting use temperature is 15°C less decreased.



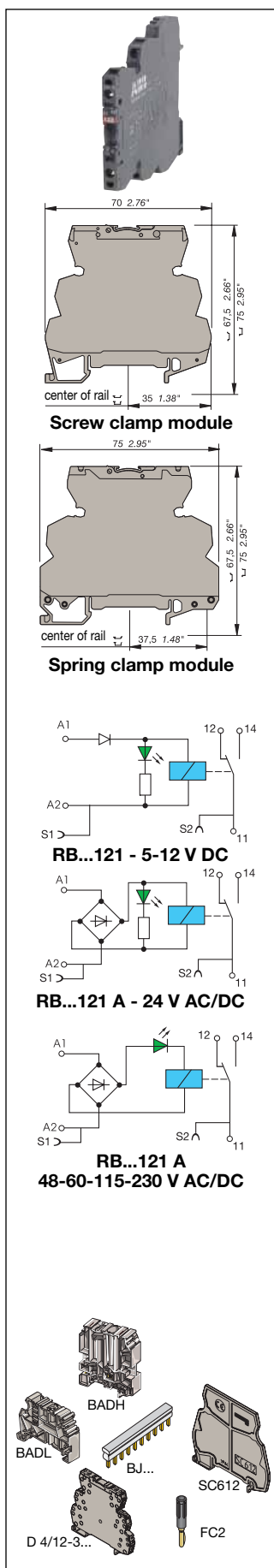
	DC12	AC12	DC13	AC15
24 V	6 A	6 A	1 A	3 A
110/120 V	0,3 A	6 A	0,2 A	3 A
220/230 V	0,2 A	6 A	0,1 A	3 A

### Order codes

Description	Type	Order P/N	Packaging	Weight
Relay module 1 SPDT high level	RB 121-5VDC	1SNA 645 034 F2300	10	0,02
Relay module 1 SPDT high level	RB 121-12VDC	1SNA 645 035 F2400	10	0,02
Relay module 1 SPDT high level	RB 121 A-24VAC/DC	1SNA 645 001 F0300	10	0,02
Relay module 1 SPDT high level	RB 121 A-48-60VAC/DC	1SNA 645 002 F0400	10	0,02
Relay module 1 SPDT high level	RB 121 A-115VAC/DC	1SNA 645 003 F0500	10	0,02
Relay module 1 SPDT high level	RB 121 A-230VAC/DC	1SNA 645 004 F0400	10	0,02
Relay module 1 SPDT high level	RBR 121-5VDC	1SNA 645 534 F2500	10	0,02
Relay module 1 SPDT high level	RBR 121-12VDC	1SNA 645 535 F2600	10	0,02
Relay module 1 SPDT high level	RBR 121 A-24VAC/DC	1SNA 645 501 F0500	10	0,02
Relay module 1 SPDT high level	RBR 121 A-48-60VAC/DC	1SNA 645 502 F0600	10	0,02
Relay module 1 SPDT high level	RBR 121 A-115VAC/DC	1SNA 645 503 F0700	10	0,02
Relay module 1 SPDT high level	RBR 121 A-230VAC/DC	1SNA 645 504 F0000	10	0,02

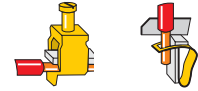
### Accessories

End section	BADH V0	1SNA 116 900 F2700	50
	BADL V0	1SNA 399 903 F0200	50
	BAM2 V0	1SNA 399 967 F0100	50
Separator end section	SC 612	1SNA 290 474 F0200	10
Divisible shunt 10 poles	BJ 612-10	1SNA 290 488 F0100	10
	BJ 612-70	1SNA 290 489 F0200	10
Screw clamp distribution block sp. 12 mm	D4/12-3A-3A	1SNA 645 031 F2000	5
Spring clamp distribution block sp. 12 mm	D4/12-3L-3L	1SNA 645 531 F2200	5
Test plug DIA. 2 mm	FC2	1SNA 007 865 F2600	10
Marking method	RC65 RC610	see marking	



# Relay Interfaces

## R600 relay modules



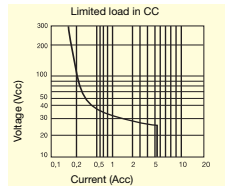
DIN 3

Relay : 1 SPDT low level contact 1 mA upto 6 A - 6 mm .236" spacing

### Characteristics

Relay characteristics	RB 121		RB 121 A				
	<b>COIL</b>	5 V DC	12 V DC	24 VAC/DC	48 V AC/DC	60 V AC/DC	115 V AC/DC
Rated voltage +20%, -15% on DC ; +10%, -10% on AC							
Frequency			50 / 60 Hz	50 / 60 Hz	50 / 60 Hz	50 / 60 Hz	50 / 60 Hz
Power	0,2 W	0,2 W	0,24 W	0,33 W	0,54 W	0,46 W	0,8 W
Rated current	40 mA	16 mA	10 mA	7 mA	9 mA	4 mA	3,5 mA
Drop-out voltage at 20°C	1,2 V	2,2 V	4,5 V	8 V	8 V	17 V	27 V
Status device	green LED						
<b>CONTACT</b>							
Type	1 SPDT						
Voltage switching range min./max.	5 V / 250 V AC						
Current switching range min./max.	1 mA / 6 A						
Load switching range	0,05 VA / 1500 VA (ohmic load)						
AC1 min. / max.	0,05 W / 140 W						
DC1 min. / max.							
Number of on-load operations	10 <sup>5</sup> on AC15						
Number of off-load operations	10 <sup>7</sup>						
Operating speed	F	5 ms	5 ms	5 ms	5 ms	6 ms	7 ms
	O	8 ms	8 ms	8 ms	8 ms	15 ms	16 ms
Bounce	1,2 ms						
Insulation coil / contact	4000 V RMS						
Resistance to shock coil / contact	4000 V RMS						
Insulation contact / contact	1000 V RMS						
Ambient temperature	-40°C to +80°C						
storage							
operating	-20°C to +70°C (1)						
<b>Other characteristics</b>	Screw clamp			Spring clamp			
Body material	grey			UL 94 V0			
Wire	Solid wire			UL 94 V0			
size	0,2 - 4 mm <sup>2</sup> / 24 - 12 AWG			0,2 - 2,5 mm <sup>2</sup> / 24 - 12 AWG			
Stranded wire	0,22 - 2,5 mm <sup>2</sup> / 24 - 12 AWG			0,22 - 2,5 mm <sup>2</sup> / 24 - 12 AWG			
Rated wire size	2,5 mm <sup>2</sup> / 12 AWG			2,5 mm <sup>2</sup> / 12 AWG			
Wire stripping length	9 mm .354"			9 mm .354"			
Recommended screwdriver	3,5 mm .137"			3,5 mm .137"			
Protection	IP20 NEMA1			IP20 NEMA1			
Recommended torque	0,4 - 0,6 Nm 3.5 - 5.3 lb.in			0,4 - 0,6 Nm 3.5 - 5.3 lb.in			
Approvals	us pending, CE						
Reference standards	CEI 947-7-1 / CEI 947-1 / CEI 1131-2 (in relevant parts) / CEI 60664-1 / CEM : IRC 1000-4-2, 3, 4, 5, 6.						

(1) Over 55°C, blocks have to be mounted on horizontal rail with 10 mm spacing between each block. For vertical rail mounting use temperature is 15°C less decreased.



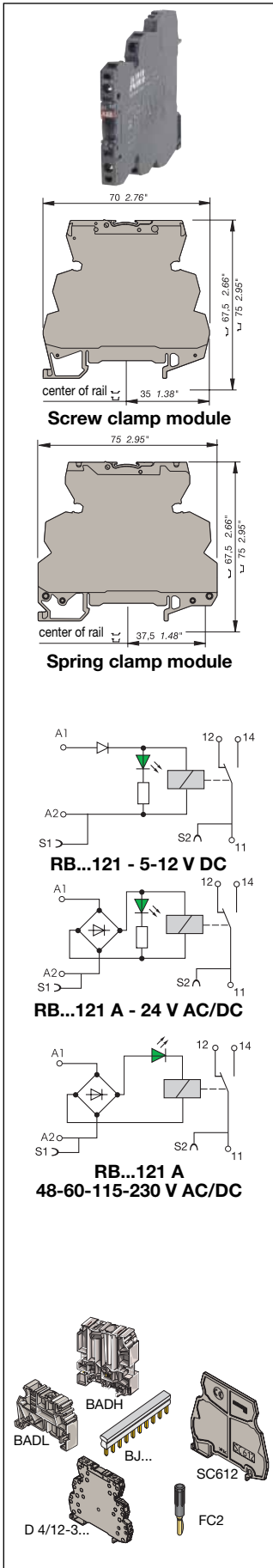
	DC12	AC12	DC13	AC15
24 V	6 A	6 A	1 A	3 A
110/120 V	0,3 A	6 A	0,2 A	3 A
220/230 V	0,2 A	6 A	0,1 A	3 A

### Order codes

Description	Type	Order P/N	Packaging	Weight
Relay module 1 SPDT low level	RB 121-5VDC	1SNA 645 036 R2500	10	0,02
Relay module 1 SPDT low level	RB 121-12VDC	1SNA 645 037 R2600	10	0,02
Relay module 1 SPDT low level	RB 121 A-24VAC/DC	1SNA 645 005 R0700	10	0,02
Relay module 1 SPDT low level	RB 121 A-48-60VAC/DC	1SNA 645 006 R0000	10	0,02
Relay module 1 SPDT low level	RB 121 A-115VAC/DC	1SNA 645 007 R0100	10	0,02
Relay module 1 SPDT low level	RB 121 A-230VAC/DC	1SNA 645 008 R1200	10	0,02
Relay module 1 SPDT low level	RBR 121-5VDC	1SNA 645 536 R2700	10	0,02
Relay module 1 SPDT low level	RBR 121-12VDC	1SNA 645 537 R2000	10	0,02
Relay module 1 SPDT low level	RBR 121 A-24VAC/DC	1SNA 645 505 R0100	10	0,02
Relay module 1 SPDT low level	RBR 121 A-48-60VAC/DC	1SNA 645 506 R0200	10	0,02
Relay module 1 SPDT low level	RBR 121 A-115VAC/DC	1SNA 645 507 R0300	10	0,02
Relay module 1 SPDT low level	RBR 121 A-230VAC/DC	1SNA 645 508 R1400	10	0,02

### Accessories

End section	BADH V0	1SNA 116 900 R2700	50
	BADL V0	1SNA 399 903 R0200	50
	BAM2 V0	1SNA 399 967 R0100	50
Separator end section	SC 612	1SNA 290 474 R0200	10
Divisible shunt 10 poles	BJ 612-10	1SNA 290 488 R0100	10
	BJ 612-70	1SNA 290 489 R0200	10
Screw clamp distribution block sp. 12 mm	D4/12-3A-3A	1SNA 645 031 R2000	5
Spring clamp distribution block sp. 12 mm	D4/12-3L-3L	1SNA 645 531 R2200	5
Test plug DIA. 2 mm	FC2	1SNA 007 865 R2600	10
Marking method	RC65 RC610	see marking	

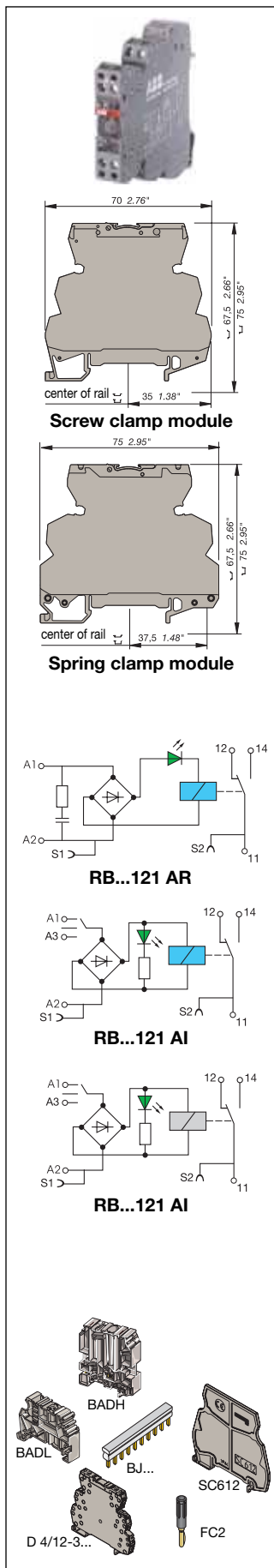


# Relay Interfaces

## R600 relay modules



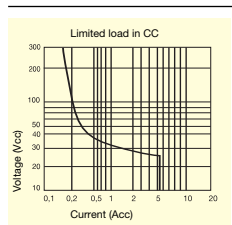
DIN 3



- Relay : 1 SPDT high level with switch or with leakage current protection - 12 mm .472" spacing
- Relay : 1 SPDT low level with switch - 12 mm .472" spacing

### Characteristics

Relay characteristics	RB...121 AR		RB...121 AI		RB...121 AI	
	115 V AC/DC	230 V AC/DC	24 VAC/DC	24 VAC/DC	24 VAC/DC	24 VAC/DC
<b>COIL</b>						
Rated voltage +20%, -15% on DC ; +10%, -10% on AC	115 V AC/DC	230 V AC/DC	24 VAC/DC	24 VAC/DC	24 VAC/DC	24 VAC/DC
Frequency	50 / 60 Hz	50 / 60 Hz	50 / 60 Hz	50 / 60 Hz	50 / 60 Hz	50 / 60 Hz
Power	2 W	2,8 W	0,24 W	0,24 W	0,24 W	0,24 W
Rated current	18 mA	12 mA	10 mA	10 mA	10 mA	10 mA
Drop-out voltage at 20°C	17 V	27 V	4,5 V	4,5 V	4,5 V	4,5 V
Permissible leakage current	1,6 mA	1 mA				
Status device	green LED			green LED		
<b>CONTACT</b>						
Type	1 SPDT			1 SPDT		
Voltage switching range min./max.	12 V / 250 V			5 V / 250 V		
Current switching range min./max.	10 mA / 6 A			1 mA / 6 A		
Load switching range						
AC1 min. / max.	0,6 VA / 1500 VA (ohmic load)			0,05 VA/1500 VA (ohmic load)		
DC1 min. / max.	0,6 W / 140 W			0,05 W / 140 W		
Number of on-load operations	10 <sup>5</sup> on AC15			10 <sup>5</sup> on AC15		
Number of off-load operations	10 <sup>7</sup>			10 <sup>7</sup>		
Operating speed	F 6 ms	7 ms	5 ms	5 ms	5 ms	5 ms
	O 15 ms	16 ms	8 ms	8 ms	8 ms	8 ms
Bounce						
Insulation coil / contact	4000 V RMS					
Resistance to shock coil / contact	4000 V RMS					
Insulation contact / contact	1000 V RMS					
Ambient temperature storage	-40°C to +80°C					
operating	-20°C to +70°C (1)					
<b>Other characteristics</b>	Screw clamp			Spring clamp		
Body material	grey UL 94 V0			grey UL 94 V0		
Wire size	Solid wire 0,2 - 4 mm <sup>2</sup> / 24 - 12 AWG			Stranded wire 0,2 - 2,5 mm <sup>2</sup> / 24 - 12 AWG		
Rated wire size	2,5 mm <sup>2</sup> / 12 AWG			2,5 mm <sup>2</sup> / 12 AWG		
Wire stripping length	9 mm .354"			9 mm .354"		
Recommended screwdriver	3,5 mm .137"			3,5 mm .137"		
Protection	IP20 NEMA1			IP20 NEMA1		
Recommended torque	0,4 - 0,6 Nm 3.5 - 5.3 lb.in			0,4 - 0,6 Nm 3.5 - 5.3 lb.in		
Approvals						
Reference standards	CEI 947-7-1 / CEI 947-1 / CEI 1131-2 (in relevant parts) / CEI 60664-1 / CEM : IRC 1000-4-2, 3, 4, 5, 6.					



(1) Over 55°C, blocks have to be mounted on horizontal rail with 10 mm spacing between each block. For vertical rail mounting use temperature is 15°C less decreased.

	DC12	AC12	DC13	AC15
24 V	6 A	6 A	1 A	3 A
110/120 V	0,3 A	6 A	0,2 A	3 A
220/230 V	0,2 A	6 A	0,1 A	3 A

### Order codes

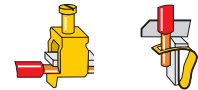
Description	Type	Order P/N	Packaging	Weight kg
Relay mod. 1SPDT high level w/leakage current protec.	RB 121 AR-115VAC/DC	1SNA 645 046 R0700	5	0,03
Relay mod. 1SPDT high level w/leakage current protec.	RB 121 AR-230VAC/DC	1SNA 645 011 R2400	5	0,03
Relay mod. 1SPDT high level with switch	RB 121 AI-24VAC/DC	1SNA 645 032 R2100	5	0,03
Relay mod. 1SPDT high level with safety switch	RB 121 AI-24VAC/DC	1SNA 645 009 R1300	5	0,03
Relay module 1SPDT low level with switch	RB 121 AI-24VAC/DC	1SNA 645 033 R2200	5	0,03
Relay module 1SPDT low level with safety switch	RB 121 AI-24VAC/DC	1SNA 645 010 R0700	5	0,03
Relay mod. 1SPDT high level w/leakage current protec.	RBR 121 AR-115VAC/DC	1SNA 645 546 R0100	5	0,03
Relay mod. 1SPDT high level w/leakage current protec.	RBR 121 AR-230VAC/DC	1SNA 645 511 R2600	5	0,03
Relay mod. 1SPDT high level with switch	RBR 121 AI-24VAC/DC	1SNA 645 532 R2300	5	0,03
Relay mod. 1SPDT high level with safety switch	RBR 121 AI-24VAC/DC	1SNA 645 509 R1500	5	0,03
Relay module 1SPDT low level with switch	RBR 121 AI-24VAC/DC	1SNA 645 533 R2400	5	0,03
Relay module 1SPDT low level with safety switch	RBR 121 AI-24VAC/DC	1SNA 645 510 R0100	5	0,03

### Accessories

End section	BADH V0	1SNA 116 900 R2700	50
	BADL V0	1SNA 399 903 R0200	50
	BAM2 V0	1SNA 399 967 R0100	50
Separator end section	SC 612	1SNA 290 474 R0200	10
Divisible shunt 10 poles	BJ 612-10	1SNA 290 488 R0100	10
Divisible shunt 70 poles	BJ 612-70	1SNA 290 489 R0200	10
Screw clamp distribution block sp. 12 mm	D4/12-3A-3A	1SNA 645 031 R2000	5
Spring clamp distribution block sp. 12 mm	D4/12-3L-3L	1SNA 645 531 R2200	5
Test plug DIA. 2 mm	FC2	1SNA 007 865 R2600	10
Marking method	RC65 RC610	see marking	

# Relay Interfaces

## R600 relay modules



DIN 3

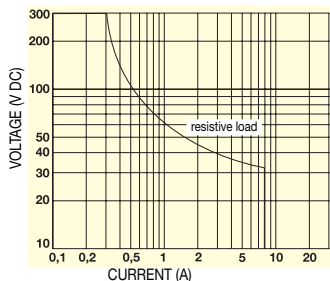
Relay : 1 DPDT low level contact 1 mA to 8 A - 12 mm .472" spacing

### Characteristics

Relay characteristics	RB...122A				
	<b>COIL</b>				
Rated voltage +20%, -15% on DC ; +10%, -10% on AC	24 VAC/DC	48 V AC/DC	60 V AC/DC	115 V AC/DC	50 / 60 Hz
Frequency	50 / 60 Hz	50 / 60 Hz	50 / 60 Hz	50 / 60 Hz	50 / 60 Hz
Power	0,48 W	0,62 W	0,96 W	0,58 W	1,15 W
Rated current	20 mA	13 mA	16 mA	5 mA	5 mA
Drop-out voltage at 20°C	5,4 V	8,8 V	8,8 V	20 V	10 V
Status device	green LED				
<b>CONTACT</b>	1 DPDT				
Type	5 V / 250 V DC - 250 V AC				
Voltage switching range min./max.	1 mA / 8 A				
Current switching range min./max.	1 mA / 5 A				
Load switching range	5 mVA / 1500 VA				
AC1 min. / max.	5 mW / 192 W				
DC1 min. / max.	10 <sup>5</sup>				
Number of on-load operations	2 x 10 <sup>7</sup>				
Number of off-load operations	6 ms				
Operating speed F	6 ms	10 ms	10 ms	6 ms	6 ms
O	10 ms	14 ms	14 ms	15 ms	15 ms
Bounce	1 ms				
Insulation coil / contact	3500 V RMS				
Resistance to shock coil / contact	3500 V RMS				
Insulation contact / contact	3500 V RMS (between 2 contacts)				
Ambient temperature storage	-40°C to +80°C				
operating	-20°C to +70°C (1)				
<b>Other characteristics</b>	Screw clamp		Spring clamp		
Body material	grey		UL 94 V0		
Wire	Solid wire		UL 94 V0		
size	0,2 - 4 mm <sup>2</sup> / 24 - 12 AWG		0,2 - 2,5 mm <sup>2</sup> / 24 - 12 AWG		
Stranded wire	0,22 - 2,5 mm <sup>2</sup> / 24 - 12 AWG		0,22 - 2,5 mm <sup>2</sup> / 24 - 12 AWG		
Rated wire size	2,5 mm <sup>2</sup> / 12 AWG		2,5 mm <sup>2</sup> / 12 AWG		
Wire stripping length	9 mm .354"		9 mm .354"		
Recommended screwdriver	3,5 mm .137"		3,5 mm .137"		
Protection	IP20 NEMA1		IP20 NEMA1		
Recommended torque	0,4 - 0,6 Nm 3.5 - 5.3 lb.in		0,4 - 0,6 Nm 3.5 - 5.3 lb.in		
Approvals	us pending, CE				
Reference standards	CEI 947-7-1 / CEI 947-1 / CEI 1131-2 (in relevant parts) / CEI 60664-1 / CEM : IRC 1000-4-2, 3, 4, 5, 6.				

(1) Over 55°C, blocks have to be mounted on horizontal rail with 10 mm spacing between each block. For vertical rail mounting use temperature is 15°C less decreased.

### Max. DC load breaking capacity



### Order codes

Description	Type	Order P/N	Packaging	Weight
Relay module 1 DPDT low level	RB 122 A-24VAC/DC	1SNA 645 012 R2500	5	0,03 kg
Relay module 1 DPDT low level	RB 122 A-48-60VAC/DC	1SNA 645 040 R1500	5	0,03 kg
Relay module 1 DPDT low level	RB 122 A-115VAC/DC	1SNA 645 041 R0200	5	0,03 kg
Relay module 1 DPDT low level	RB 122 A-230VAC/DC	1SNA 645 013 R2600	5	0,03 kg
Relay module 1 DPDT low level	RBR 122 A-24VAC/DC	1SNA 645 512 R2700	5	0,03 kg
Relay module 1 DPDT low level	RBR 122 A-48-60VAC/DC	1SNA 645 540 R1700	5	0,03 kg
Relay module 1 DPDT low level	RBR 122 A-115VAC/DC	1SNA 645 541 R0400	5	0,03 kg
Relay module 1 DPDT low level	RBR 122 A-230VAC/DC	1SNA 645 513 R2000	5	0,03 kg

### Accessories

End section	BADH V0	1SNA 116 900 R2700	50
	BADL V0	1SNA 399 903 R0200	50
	BAM2 V0	1SNA 399 967 R0100	50
Separator end section	SC 612	1SNA 290 474 R0200	10
Divisible shunt 10 poles	BJ 612-10	1SNA 290 488 R0100	10
	BJ 612-70	1SNA 290 489 R0200	10
Screw clamp distribution block sp. 12 mm	D4/12-3A-3A	1SNA 645 031 R2000	5
Spring clamp distribution block sp. 12 mm	D4/12-3L-3L	1SNA 645 531 R2200	5
Test plug DIA. 2 mm	FC2	1SNA 007 865 R2600	10
Marking method	RC65 RC610	see marking	

