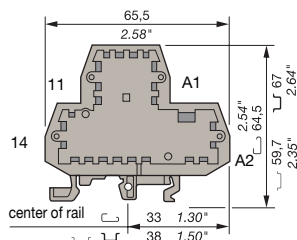


Relay Interfaces

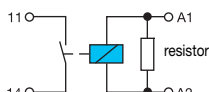
R910 relay modules



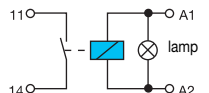
DIN 1-3



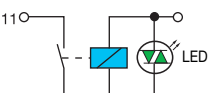
M 4/9.R111...



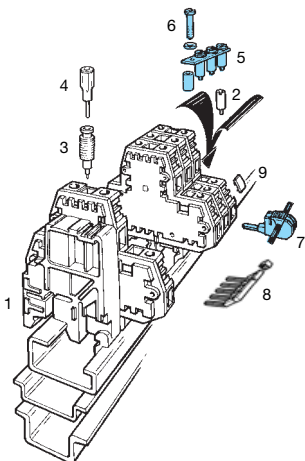
M 4/9.R111



M 4/9.R111L



M 4/9.R111L



Relay : 1 NO high level contacts 10 mA to 5 A - 9 mm .354" spacing

Characteristics

Relay characteristics	M 4/9.R111		M 4/9.R111L		M 4/9.R111L	
COIL						
Rated voltage +20%, -20% on DC	12 V	24 V	12 V	24 V	12 V	24 V
Frequency						
Power	0.3 W	0.3 W	0.6 W	0.8 W	0.25 W	0.31 W
Rated current	24 mA	14 mA	52 mA	33 mA	21 mA	13 mA
Drop-out voltage at 20°C	1.2 V DC	2.4 V DC	1.2 V	2.4 V	1.2 V	2.4 V
Allowable leakage current	2 mA	1 mA	4 mA	3 mA	1.5 mA	0.7 mA
Status device			lamp		green LED	

CONTACT

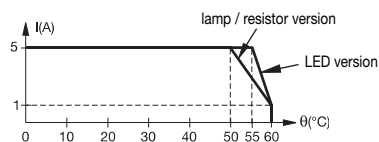
Type	1 NO					
Voltage switching range min./max.	12 V / 150 V DC - 250 V AC					
Current switching range	10 mA / 5 A					
Load switching range	0.6 VA / 1250 VA					
AC1 min. / max.	0.6 W / 150 W					
DC1 min. / max.	1 x 10 ⁶					
Number of on-load operations	2 x 10 ⁷					
Number of off-load operations	5 ms					
Pull-in time (delay time)	7 ms					
Drop-out time (delay time)	6 ms				6 ms	
Bounce time	4 ms					
Insulation coil / contacts	3000 V RMS		4000 V RMS		2500 V RMS	
Breakdown voltage with 1.2/50µ wave	750 V RMS					
Insulation contacts/contacts	-40°C to +80°C					
Storage ambient temperature	See derating curve hereunder					

Other characteristics

Body material	grey	UL 94 V0
Wire	Solid wire	0.2-4 mm ² / 22-12 AWG
size	Stranded wire	0.22-2.5 mm ² / 22-12 AWG
Rated wire size		2.5 mm ² / 12 AWG
Wire stripping length		9 mm .354"
Recommended screwdriver		3.5 mm .137"
Protection		IP 20 NEMA 1
Recommended torque		0.4-0.6 Nm 3.5-5.3 lb.in
Approvals	UL US - CE	UL US pending - CE

Reference standards CEI 947-7-1 / CEI 947-1 / CEI 1131-2 (in relevant parts) / CEI 60664-1 / CEM : IRC 1000-4-2, 3, 4, 5, 6.

Derating curve



M 4/9.R111...

Order codes

Description	Type	Order P/N	Packaging	Weight kg
Relay module 1 NO high level	M 4/9.R111-12VDC	1SNA 607 029 R0100	10	0.02
Relay module 1 NO high level	M 4/9.R111-24VDC	1SNA 607 030 R0600	10	0.02
Relay module with lamp 1NO high level protected against leakage current	M 4/9.R111L-12VDC	1SNA 607 001 R0600	10	0.02
Relay module with lamp 1NO high level protected against leakage current	M 4/9.R111L-24VDC	1SNA 607 002 R0700	10	0.02
Relay module with LED 1 NO high level	M 4/9.R111L-12VDC	1SNA 607 051 R0700	10	0.02
Relay module with LED 1 NO high level	M 4/9.R111L-24VDC	1SNA 607 052 R0000	10	0.02

Accessories

1 High end stop (all rails)	BAMH	9,1 mm	1SNA 114 836 R0000	50
2 Test socket	DIA. 2 mm	AL2 (1)	1SNA 163 070 R0000	50
	DIA. 3 mm	AL3 (1)	1SNA 163 261 R0000	50
3 Test device	grey	DCG	1SNA 163 218 R0500	10
4 Test plug		FC2	1SNA 007 865 R2600	10
5 Jumper bar	8 poles	BJS9 (1)(2)	1SNA 177 583 R1200	25
	16 poles	BJS9 (1)(2)	1SNA 177 584 R1300	25
6 Sub-assembly for jumper bar (screw + jumper + post)		EV6D (1)(2)	1SNA 168 400 R1600	20
7 IDC jumper		AD2,5	1SNA 114 205 R2000	50
8 Comb type jumper bar		PC9	1SNA 210 160 R1200	10
9 Marking method		RC65 and RC610	see marking	

(1) These accessories can be used on the lower connection only.

(2) Use of these accessories requires the user to cut out the precut partition.