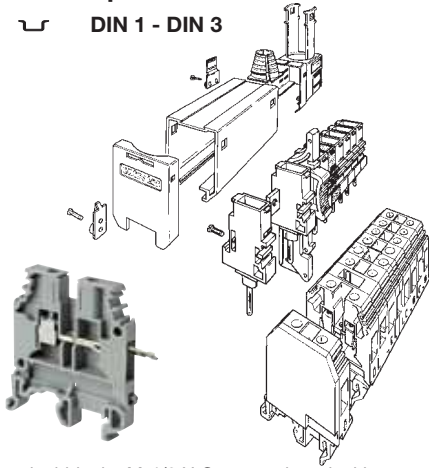


Soldered terminal blocks

Screw clamp to soldered

DIN 1 - DIN 3



The terminal blocks M 4/6.H.C are equipped with a test socket DIA. 2,5 mm/.10" for connector described in the section "connectors".

End stop		th. 9 mm	BADL	V0	1SNA 399 903 R0200
End stop		th. 10 mm	BAM2	V2	1SNA 206 351 R1600
End stop		th. 10 mm	BAM2 V0	V0	1SNA 296 351 R0000
Rail		35 x 7,5 x 1	PR3.Z2		1SNA 174 300 R1700
Rail		35 x 15 x 2,3	PR4		1SNA 168 500 R1200
Rail		35 x 15 x 1,5	PR5		1SNA 168 700 R2200
Rail		32 x 15 x 1,5	PR1.Z2		1SNA 163 050 R0400

Other end stops, rails and accessories : see section on accessories.

Notes

The use of some accessories may decrease the block's voltage rating. For more information, consult us.



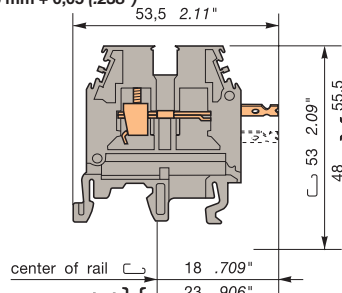
Outputs : Screw clamp - alternately high or low solder tabs.

Accessories

	1 End section	grey
	2 Circuit separator	grey
	3 Separator end section (block)	grey
	4 Separator end section (rail)	
	5 Test socket	
	6 Test device	
	7 Test plug	
	9 Assembled jumper bar	32 A
	10 Connector plate	35 A
	11 Jumper bar not assembled	32 A
	12 Alternated jumper bar	32 A
	13 Universal jumper bar	32 A
	14 Pivoting jumper bar	35 A
	15 Comb-type jumper bar	32 A
	16 IDC jumper	24 A
	17 Shield connector	
	18 Protection label	
	R See section on marking method	

M 4/6.H...

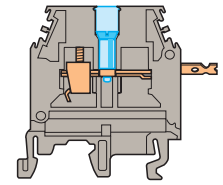
Spacing 6 mm + 0,05 (.238")



6 mm block, outputs : screw clamp to soldered.

M 4/6.H.C

Spacing 6 mm + 0,05 (.238")



M 4/6.H closed block equipped with a flexible test socket DIA.2,5 mm/.10" for connector. Outputs : screw clamp to soldered.



Colour	Type	Part numbers
Grey <input type="checkbox"/>	M 4/6.H	1SNA 115 176 R1300
Blue <input type="checkbox"/>	M 4/6.H.N	1SNA 125 176 R1500

Characteristics

Wire size	NFC	DIN	UL	CSA
Screw clamp Rigid		0,2-4 mm ²		
Screw clamp Flexible		0,22-4 mm ²		
Soldered Rigid		0,5-1,5 mm ²		
Soldered Flexible		0,5-1 mm ²		

Voltage

Rated	500 V Gr.C (1)
Impulse withstand	
Pollution degree	

Current

Rated	20 A
-------	------

Wire size

Rated	1,5 mm ²			
Wire stripping length	Recomm. screwdriver	Recomm. torque	Protection	
9,5 mm	4 mm	0,5-0,8 Nm	IP 20 (1)	
.37"	.16"	4.4-7.1 lb.in	NEMA 1	

Characteristics

Wire size	NFC	DIN	UL	CSA
Screw clamp Rigid		0,2-4 mm ²		
Screw clamp Flexible		0,22-4 mm ²		
Soldered Rigid		0,5-1,5 mm ²		
Soldered Flexible		0,5-1 mm ²		

Voltage

Rated	500 V Gr.C (1)
Impulse withstand	
Pollution degree	

Current

Rated	20 A
-------	------

Wire size

Rated	1,5 mm ²			
Wire stripping length	Recomm. screwdriver	Recomm. torque	Protection	
9,5 mm	4 mm	0,5-0,8 Nm	IP 20 (1)	
.37"	.16"	4.4-7.1 lb.in	NEMA 1	

Accessories

Type	Part numbers
FEM6	th. 2,8 mm 1SNA 118 368 R1600
SCM6	1SNA 113 003 R1000
SCF6	th. 3 mm 1SNA 118 707 R0300
SCFM6	th. 3 mm 1SNA 114 825 R0500
SCFEX1	1SNA 103 619 R0400
SCFEX3	1SNA 103 620 R0100
AL2 (2)	DIA. 2 mm 1SNA 163 043 R2100
AL3 (2)	DIA. 3 mm 1SNA 163 261 R0000
DCJ	yellow 1SNA 173 059 R0300
FC2	DIA. 2 mm 1SNA 007 865 R2600
BJMI6 (2)	2 poles 1SNA 176 663 R0000
BJMI6 (2)	3 poles 1SNA 176 664 R0100
BJMI6 (2)	4 poles 1SNA 176 665 R0200
BJMI6 (2)	5 poles 1SNA 176 666 R0300
BJMI6 (2)	10 poles 1SNA 176 667 R0400
EL6	1SNA 173 627 R2100
BJS6 (2) (3)	20 poles 1SNA 174 784 R2000
EV6I	1SNA 206 394 R0200
BJA6 (2)	1SNA 116 541 R1200
BJDP (2)	(see access.)
BJP6	1SNA 174 413 R1400
PC6 (3)	10 poles 1SNA 113 548 R2600
EIP	1SNA 113 550 R2400
AD2,5	1SNA 114 205 R2000
CBM5	th. 0,5 mm 1SNA 178 745 R1400
CBM8	th. 0,8 mm 1SNA 178 746 R1500
EP6	1SNA 163 427 R1700

Accessories

Type	Part numbers
FEM6	th. 2,8 mm 1SNA 118 368 R1600
SCM6	1SNA 113 003 R1000
SCF6	th. 3 mm 1SNA 118 707 R0300
SCFM6	th. 3 mm 1SNA 114 825 R0500
SCFEX1	1SNA 103 619 R0400
SCFEX3	1SNA 103 620 R0100
AL2 (2)	DIA. 2 mm 1SNA 163 043 R2100
AL3 (2)	DIA. 3 mm 1SNA 163 261 R0000
DCJ	yellow 1SNA 173 059 R0300
FC2	DIA. 2 mm 1SNA 007 865 R2600
BJDP (2)	(see access.)
BJP6	1SNA 174 413 R1400
PC6 (3)	10 poles 1SNA 113 548 R2600
AD2,5	1SNA 114 205 R2000
CBM5	th. 0,5 mm 1SNA 178 745 R1400
CBM8	th. 0,8 mm 1SNA 178 746 R1500
EP6	1SNA 163 427 R1700

RC65 - RC610

RCT610

RC65 - RC610

Note : (1) Ratings given for soldered tabs protected by insulating sleeves covered by at least 6 mm/.24" of insulation.
 (2) A circuit separator SC may be required with the use of these accessories.
 (3) For other numbers of poles, see accessories

Double deck terminal blocks

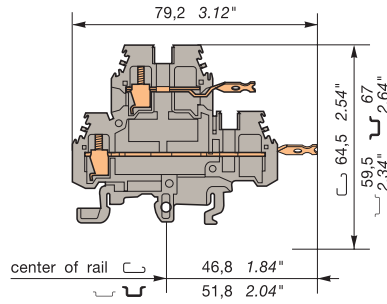
Screw clamp to soldered

DIN 1 - DIN 3



M 4/6.D2.H

Spacing 6 mm + 0,05 (.238")



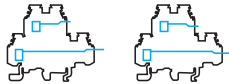
6 mm block.
Outputs : Screw clamp to soldered

End stop	th. 9 mm	BADL	V0	1SNA 399 903 R0200
End stop	th. 10 mm	BAM2	V2	1SNA 206 351 R1600
End stop	th. 10 mm	BAM2 V0	V0	1SNA 296 351 R0000
Rail	35 x 7,5 x 1	PR3.Z2		1SNA 174 300 R1700
Rail	35 x 15 x 2,3	PR4		1SNA 168 500 R1200
Rail	35 x 15 x 1,5	PR5		1SNA 168 700 R2200
Rail	32 x 15 x 1,5	PR1.Z2		1SNA 163 050 R0400

Other end stops, rails and accessories : see section on accessories.

Notes

* When mounting these blocks, the soldered outputs must be alternated : one high output, one low output.



Accessories

2	1	End section	grey blue
	2	Circuit separator	grey
	3	Separator end section	grey
4	4	Test socket	
	5	Test device	
	6	Test plug	
	8	Assembled jumper bar (with IP 20 protection)	
	9	Connector plate	
	10	Jumper bar not assembled	
	11	Pivoting jumper bar	
	12	Comb-type jumper bar	
	13	IDC jumper	
	14	Vertical interconnection	
	15	Shield connector	
	R	See section on markers marking method	

CE	
----	--

Colour	Type	Part numbers	Colour	Type	Part numbers
Grey body / High soldered outputs					
□	M 4/6.D2.H *	1SNA 115 301 R2100			
Grey body / Low soldered outputs					
□	M 4/6.D2.H *	1SNA 115 302 R2200			

Characteristics

Wire size	NFC DIN			UL			CSA		
Screw clamp	Rigid	0,2-4 mm ²							
Soldered	Flexible	0,22-4 mm ²							
	Rigid	0,5-1,5 mm ²							
	Flexible	0,5-1 mm ²							

Voltage			
Rated	250 VGr.C (3)		
Impulse withstand			
Pollution degree			

Current			
Rated	20 A		

Wire size			
Rated	1,5 mm ²		
Wire stripping length (screw)	Recomm. screwdriver (screw)	Recomm. torque (screw)	Protection
8,5 mm	4 mm	0,5-0,8 Nm	IP 20 (3)
.33"	.16"		NEMA 1

Type	Part numbers	Type	Part numbers
FEM6D	th. 1 mm 1SNA 118 499 R2300		
FEM6D	th. 1 mm 1SNA 128 499 R2500		
SCM6D	1SNA 113 482 R0500		
SCF6D	th. 1 mm 1SNA 118 495 R1700		
AL2 (1)	DIA.2 mm 1SNA 163 070 R0000		
AL3 (1)	DIA.3 mm 1SNA 163 261 R0000		
DCG	grey 1SNA 163 218 R0500		
FC2	DIA.2 mm 1SNA 007 865 R2600		
BJMI6D (1)	2 poles 1SNA 179 668 R2000		
BJMI6D (1)	3 poles 1SNA 179 669 R2100		
BJMI6D (1)	4 poles 1SNA 179 670 R2600		
BJMI6D (1)	5 poles 1SNA 179 671 R1300		
BJMI6D (1)	10 poles 1SNA 179 672 R1400		
EL6	1SNA 173 627 R2100		
BJS61 (1)	10 poles 1SNA 168 485 R2700		
BJP61	1SNA 167 225 R2000		
PC61	10 poles 1SNA 163 311 R2200		
AD 2,5	1SNA 114 205 R2000		
ITV6	1SNA 168 962 R0400		
CBM 5D	th. 0,5 mm 1SNA 173 530 R2400		

RC65 - RC610 RCT610
Note : (1) A circuit separator **SC** may be required with the use of these accessories.
(2) The use of these accessories requires the user to cut out the partition.
(3) Ratings are given for alternated blocks and for soldered tabs protected by insulating sleeves.

Soldered terminal block

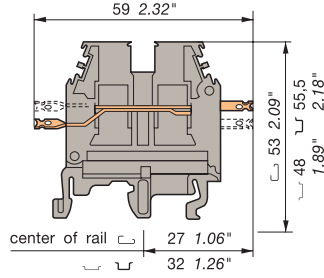
Soldered to soldered

DIN 1 - DIN 3



M 1,5/6.HH

Spacing 6 mm + 0,05 (.238")



Unit of 10 blocks spacing 6 mm.
Outputs : soldered to soldered alternately high or low solder tabs.



Colour	Type	Part number	Colour	Type	Part number
Grey body					
	□ M 1,5/6.HH	1SNA 115 232 R1300			

Characteristics				Characteristics			
Wire size	NFC DIN	UL	CSA	Wire size	NFC DIN	UL	CSA
Soldered Rigid	0,5-1,5 mm ²			Soldered Rigid			
Flexible	0,5-1 mm ²			Flexible			

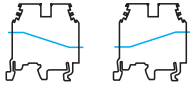
Voltage				Voltage			
Rated	500 VGr.C (1)			Rated			
Impulse withstand				Impulse withstand			
Pollution degree				Pollution degree			
Current				Current			
Rated	20 A			Rated			
Wire size				Wire size			
Rated	1,5 mm ²			Rated			
Wire stripping length	Recomm. screwdriver	Recomm. torque	Protection	Wire stripping length	Recomm. screwdriver	Recomm. torque	Protection
			IP 20 (1) NEMA 1				

End stop	th. 9 mm	BADL	V0	1SNA 399 903 R0200
End stop	th. 10 mm	BAM2	V2	1SNA 206 351 R1600
End stop	th. 10 mm	BAM2 V0	V0	1SNA 296 351 R0000
Rail	35 x 7,5 x 1	PR3.Z2		1SNA 174 300 R1700
Rail	35 x 15 x 2,3	PR4		1SNA 168 500 R1200
Rail	35 x 15 x 1,5	PR5		1SNA 168 700 R2200
Rail	32 x 15 x 1,5	PR1.Z2		1SNA 163 050 R0400

Other end stops, rails and accessories : see section on accessories.

Notes

Outputs : soldered to soldered alternately high or low solder tabs.



Accessories

1	End section	grey
2	Circuit separator	grey
3	Separator end section (block)	grey
4	Separator end section (rail)	
5	Test socket	
6	Test plug	
8	Assembled jumper bar	32 A
	jumper bar	32 A
	(with IP 20 protection)	32 A
		32 A
		32 A
9	Connector plate	35 A
10	Jumper bar not assembled	32 A
	Post + washer + captive screw IP20	
11	Alternated jumper bar	32 A
12	Universal jumper bar	
13	Pivoting jumper bar	35 A
14	Comb-type jumper bar	
	Insulating tip	
15	IDC jumper	24 A
16	Shield connector	
17	Protection label	
R	See section on markers marking method	

Type	Part numbers	Type	Part numbers
FEM6	th. 2,8 mm 1SNA 118 368 R1600		
SCM6	1SNA 113 003 R1000		
SCF6	th. 3 mm 1SNA 118 707 R0300		
SCFM6	th. 3 mm 1SNA 114 825 R0500		
SCFEX1	1SNA 103 619 R0400		
SCFEX3	1SNA 103 620 R0100		
AL2 (2)	DIA. 2 mm 1SNA 163 043 R2100		
AL3 (2)	DIA. 3 mm 1SNA 163 261 R0000		
FC2	DIA. 2 mm 1SNA 007 865 R2600		
BJMI6 (2)	2 poles 1SNA 176 663 R0000		
BJMI6 (2)	3 poles 1SNA 176 664 R0100		
BJMI6 (2)	4 poles 1SNA 176 665 R0200		
BJMI6 (2)	5 poles 1SNA 176 666 R0300		
BJMI6 (2)	10 poles 1SNA 176 667 R0400		
EL6	1SNA 173 627 R2100		
BJS6 (2) (3)	20 poles 1SNA 174 784 R2000		
EV6I	1SNA 206 394 R0200		
BJA6 (2)	1SNA 116 541 R1200		
BJDP (2)	(see access.)		
BJP6	1SNA 174 413 R1400		
PC6 (3)	10 poles 1SNA 113 548 R2600		
EIP	1SNA 113 550 R2400		
AD2,5	1SNA 114 205 R2000		
CBM5	th. 0,5 mm 1SNA 178 745 R1400		
CBM8	th. 0,8 mm 1SNA 178 746 R1500		
EP6	1SNA 163 427 R1700		
RC65 - RC610	RCT610		

Note : (1) Ratings given for soldered tabs protected by insulating sleeves covered by at least 6 mm/.24" of insulation.
(2) A circuit separator SC may be required with the use of these accessories.
(3) For other numbers of poles, see accessories

Heavy duty switch terminal blocks with short blade

Screw clamp to soldered

DIN 1 - DIN 3

□ □ □ DIN 1 - DIN 3

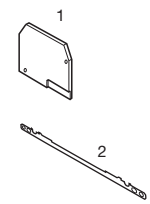
End stop		th. 9 mm	BADL	V0	1SNA 399 903 R0200
End stop		th. 10 mm	BAM2	V2	1SNA 206 351 R1600
End stop		th. 10 mm	BAM2 V0	V0	1SNA 296 351 R0000
Rail		35 x 7,5 x 1	PR3.Z2		1SNA 174 300 R1700
Rail		35 x 15 x 2,3	PR4		1SNA 168 500 R1200
Rail		35 x 15 x 1,5	PR5		1SNA 168 700 R2200
Rail		32 x 15 x 1,5	PR1.Z2		1SNA 163 050 R0400

Other end stops, rails and accessories : see section on accessories.

Notes

The use of some accessories may decrease the block's voltage rating. For more information, consult us.

Accessories

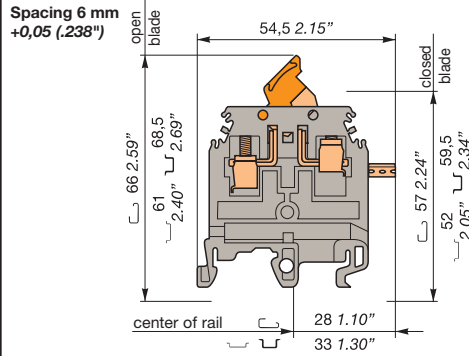


1	End section	grey orange
2	Shield connector	



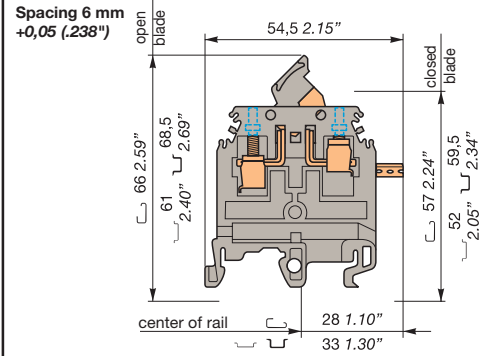
R See section on markers marking method

M 4/6.SNB.H



6 mm block - switch connection by blade.

M 4/6.SNBT.H



6 mm block - switch connection by blade + test sockets.



Colour	Type	Part number
Grey body with orange blade	M 4/6.SNB.H	1SNA 115 493 R0200

Colour	Type	Part number
Grey body	M 4/6.SNBT.H	1SNA 115 512 R0400

Characteristics

Wire size	NFC DIN		UL	CSA
	Screw clamp	Rigid	0,5-4 mm ²	
	Flexible	0,5-4 mm ²		
Soldered	Rigid	0,5-1,5 mm ²		
	Flexible	0,5-1 mm ²		

Characteristics

Wire size	NFC DIN		UL	CSA
	Screw clamp	Rigid	0,5-4 mm ²	
	Flexible	0,5-4 mm ²		
Soldered	Rigid	0,5-1,5 mm ²		
	Flexible	0,5-1 mm ²		

Voltage

Rated	250 VGr.C (1)(2)		
Impulse withstand			
Pollution degree			

Voltage

Rated	250 VGr.C (1)(2)		
Impulse withstand			
Pollution degree			

Current

Rated	10 A		
-------	------	--	--

Current

Rated	10 A		
-------	------	--	--

Wire size

Rated	1 mm ²		
Wire stripping length	Recomm. screwdriver	Recomm. torque	Protection
9,5 mm .374"	4 mm .157"	0,5-0,8 Nm 4.4-7.1 lb.in	

Wire size

Rated	1 mm ²		
Wire stripping length	Recomm. screwdriver	Recomm. torque	Protection
9,5 mm .374"	4 mm .157"	0,5-0,8 Nm 4.4-7.1 lb.in	

Type	Part numbers
FEM 62	1SNA 114 994 R0700
FEM 62	1SNA 103 612 R2500
CBM5	th. 0,5 mm 1SNA 178 745 R1400
CBM8	th. 0,8 mm 1SNA 178 746 R1500

Type	Part numbers
FEM 62	1SNA 114 994 R0700
CBM5	th. 0,5 mm 1SNA 178 745 R1400
CBM8	th. 0,8 mm 1SNA 178 746 R1500

RC65 - RC610

RC65 - RC610

Note : (1) Ratings given with connected test socket screw.
(2) Ratings given for soldered tabs protected by insulating sleeves covered by at least 3 mm .118" of insulation.

