

Wire wrapping terminal blocks

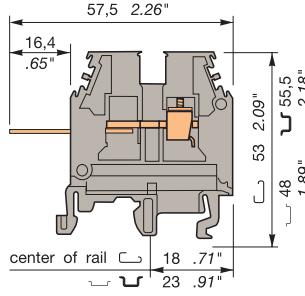
Screw clamp to wire wrapping

DIN 1 - DIN 3



M 4/6.M

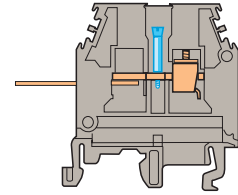
Spacing 6 mm + 0,05 (.238")



Standard 6 mm block - 1 wrapping stem 1,6 x 0,8 mm - 1 Screw clamp output.

M 4/6.M2

Spacing 6 mm + 0,05 (.238")



Closed M 4/6.M block equipped with a test socket DIA. 2 mm/.079".

End stop	th. 9 mm	BADL	V0	1SNA 399 903 R0200
End stop	th. 10 mm	BAM2	V2	1SNA 206 351 R1600
End stop	th. 10 mm	BAM2 V0	V0	1SNA 296 351 R0000
Rail	35 x 7,5 x 1	PR3.Z2		1SNA 174 300 R1700
Rail	35 x 15 x 2,3	PR4		1SNA 168 500 R1200
Rail	35 x 15 x 1,5	PR5		1SNA 168 700 R2200
Rail	32 x 15 x 1,5	PR1.Z2		1SNA 163 050 R0400

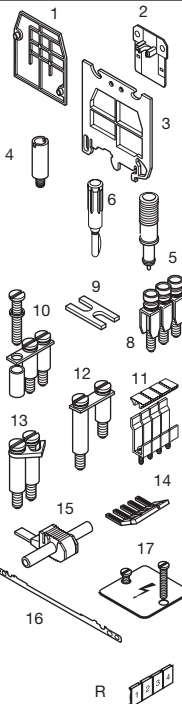
Other end stops, rails and accessories : see section on accessories.

Notes

			CE				CE
Colour	Type	Part number	Colour	Type	Part number		
Grey body	M 4/6.M	1SNA 115 380 R2400	Grey body	M 4/6.M2	1SNA 115 252 R2700		

Characteristics				Characteristics					
Wire size	NFC	DIN	UL	CSA	Wire size	NFC	DIN	UL	CSA
Screw clamp	Rigid	0,2-4 mm ²			Screw clamp	Rigid	0,2-4 mm ²		
	Flexible	0,22-4 mm ²				Flexible	0,22-4 mm ²		
Wrapped	wire DIA. 0,4 to 0,8 mm n° 26 to 20 AWG - 2 wrappings				Wrapped	wire DIA. 0,4 to 0,8 mm n° 26 to 20 AWG - 2 wrappings			
Voltage				Voltage					
Rated	125 VGr.C				Rated	125 VGr.C			
Impulse withstand					Impulse withstand				
Pollution degree					Pollution degree				
Current				Current					
Rated	7,5 A				Rated	7,5 A			
Wire size				Wire size					
Rated					Rated				
Wire stripping length	Recomm. screwdriver	Recomm. torque	Protection		Wire stripping length	Recomm. screwdriver	Recomm. torque	Protection	
9,5 mm	4 mm	0,5-0,8 Nm			9,5 mm	4 mm	0,5-0,8 Nm		
.37"	.157"	4.4-7.1 lb.in			.37"	.157"	4.4-7.1 lb.in		

Accessories



1	End section	grey
2	Circuit separator	grey
3	Separator end section	grey
4	Test socket	
5	Test device	
6	Test plug	
8	Assembled jumper bar	32 A
	(with IP 20 protection)	32 A
9	Connector plate	35 A
10	Jumper bar not assembled	32 A
11	Alternated jumper bar	35 A
12	Universal jumper bar	
13	Pivoting jumper bar	
14	Comb-type jumper bar	35 A
15	IDC jumper	24 A
16	Shield connector	
17	Protection label	
R	See section on markers marking method	

Type	Part numbers	Type	Part numbers
FEM6	th. 2,8 mm 1SNA 118 368 R1600	FEM6	th. 2,8 mm 1SNA 118 368 R1600
SCM6	1SNA 113 003 R1000		
SCFEX1	th. 2,4 mm 1SNA 103 619 R0400	SCFEX1	th. 2,4 mm 1SNA 103 619 R0400
SCFEX3	th. 2,4 mm 1SNA 103 620 R0100	SCFEX3	th. 2,4 mm 1SNA 103 620 R0100
AL2	DIA. 2 mm 1SNA 163 043 R2100		
AL3	DIA. 3 mm 1SNA 163 261 R0000		
DCJ	yellow 1SNA 173 059 R0300		
FC2	DIA. 2 mm 1SNA 007 865 R2600	FC2	DIA. 2 mm 1SNA 007 865 R2600
BJMI6 (1)	2 poles 1SNA 176 663 R0000		
BJMI6 (1)	3 poles 1SNA 176 664 R0100		
BJMI6 (1)	4 poles 1SNA 176 665 R0200		
BJMI6 (1)	5 poles 1SNA 176 666 R0300		
BJMI6 (1)	10 poles 1SNA 176 667 R0400		
EL6	1SNA 173 627 R2100		
BJS6 (1) (2)	20 poles 1SNA 174 784 R2000		
BJA6 (1)	10 poles 1SNA 116 541 R1200		
BJDP (1)	(see access.)		
BJP6	1SNA 174 413 R1400		
PC6 (2)	10 poles 1SNA 113 548 R2600	PC6 (2)	10 poles 1SNA 113 548 R2600
AD2,5	1SNA 114 205 R2000	AD2,5	1SNA 114 205 R2000
CBM5	th. 0,5 mm 1SNA 178 745 R1400	CBM5	th. 0,5 mm 1SNA 178 745 R1400
CBM8	th. 0,8 mm 1SNA 178 746 R1500	CBM8	th. 0,8 mm 1SNA 178 746 R1500
EP6	1SNA 163 427 R1700		
RC65 - RC610	RCT610	RC65 - RC610	

Note : (1) A circuit separator **SC** may be required with the use of these accessories.
(2) For other numbers of poles, see section : accessories.

Double deck terminal blocks

Screw clamp to wire wrapping

DIN 1 - DIN 3



End stop		th. 9 mm	BADL	VO	1SNA 399 903 R0200
End stop		th. 10 mm	BAM2	V2	1SNA 206 351 R1600
End stop		th. 10 mm	BAM2 VO	VO	1SNA 296 351 R0000
Rail		35 x 7,5 x 1	PR3.Z2		1SNA 174 300 R1700
Rail		35 x 15 x 2,3	PR4		1SNA 168 500 R1200
Rail		35 x 15 x 1,5	PR5		1SNA 168 700 R2200
Rail		32 x 15 x 1,5	PR1.Z2		1SNA 163 050 R0400

Other end stops, rails and accessories : see section on accessories.

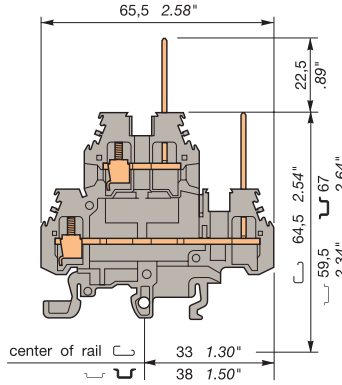
Notes

Accessories

	1	End section	grey
	2	Circuit separator	grey
	3	Separator end section	grey
	4	Test socket	
	5	Test device	
	6	Test plug	
	8	Assembled jumper bar	32 A
	10	Jumper bar not assembled	32 A
	11	Pivoting jumper bar	32 A
	12	Comb-type jumper bar	35 A
	13	IDC jumper	24 A
	14	Shield connector	
	R	See section on markers marking method	

M 4/6.D2.M

Spacing 6 mm + 0,05 (.238")



Standard 6 mm block. 2 wrapping stems 1,6 x 0,8 mm - 2 Screw clamp outputs



Colour	Type	Part number
Grey body	M 4/6.D2.M	1SNA 115 300 R0400

Characteristics

Wire size	NFC DIN		UL	CSA
	Screw clamp	Rigid	0,2-4 mm ²	22-12 AWG
	Flexible	0,22-4 mm ²	22-12 AWG	
Wrapped		wire DIA. 0,4 to 0,65 mm ² - 3 wrappings		
		wire DIA. 0,4 to 0,8 mm ² - 2 wrappings		

Voltage		Rated	250 VGr.C	300 V
Rated				
Impulse withstand				
Pollution degree				

Current		Rated	7,5 A	10 A
Rated				

Wire size		Rated	12 AWG
Rated			
Wire stripping length	Recomm. screwdriver	Recomm. torque	Protection
8,5 mm	4 mm	0,5-0,8 Nm	
.33"	.157"	4.4-7.1 lb.in	

Type	Part numbers
FEM6D	th. 1 mm 1SNA 118 499 R2300
SCM6D	1SNA 113 482 R0500
SCF6D	th. 1 mm 1SNA 118 495 R1700
AL2 (1)	DIA. 2 mm 1SNA 163 070 R0000
AL3 (1)	DIA. 3 mm 1SNA 163 261 R0000
DCG	grey 1SNA 173 059 R0300
FC2	DIA. 2 mm 1SNA 007 865 R2600

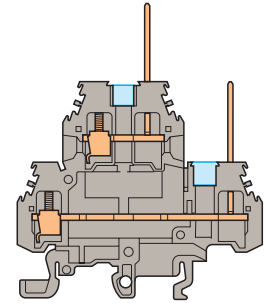
BJMI6D (1)	2 poles	1SNA 179 668 R2000
BJMI6D (1)	3 poles	1SNA 179 669 R2100
BJMI6D (1)	4 poles	1SNA 179 670 R2600
BJMI6D (1)	5 poles	1SNA 179 671 R1300
BJMI6D (1)	10 poles	1SNA 179 672 R1400
EL6		1SNA 173 627 R2100
BJS61 (1) (3)	10 poles	1SNA 168 485 R2700
BJP61		1SNA 167 225 R2000
PC61	10 poles	1SNA 163 311 R2200
AD2,5		1SNA 114 205 R2000
CBM5D	th. 0,5 mm	1SNA 173 530 R2400

RC65 - RC610 RCT610

Note : (1) A circuit separator **SC** may be required with the use of these accessories.
(2) Use of these accessories requires the user to cut out the partition.
(3) For other numbers of poles, see section : accessories.

M 4/6.D2.M1

Spacing 6 mm + 0,05 (.238")



Closed M 4/6.D2.M block with partition.



Colour	Type	Part number
Grey body	M 4/6.D2.M1	1SNA 115 305 R2500

Characteristics

Wire size	NFC DIN		UL	CSA
	Screw clamp	Rigid	0,2-4 mm ²	
	Flexible	0,22-4 mm ²		
Wrapped		wire DIA. 0,4 to 0,65 mm ² - 3 wrappings		
		wire DIA. 0,4 to 0,8 mm ² - 2 wrappings		

Voltage		Rated	250 VGr.C
Rated			
Impulse withstand			
Pollution degree			

Current		Rated
Rated		

Wire size		Rated	7,5 A
Rated			
Wire stripping length	Recomm. screwdriver	Recomm. torque	Protection
8,5 mm	4 mm	0,5-0,8 Nm	
.33"	.157"	4.4-7.1 lb.in	

Type	Part numbers
FEM6D	th. 1 mm 1SNA 118 499 R2300
SCF6D	th. 1 mm 1SNA 118 495 R1700
AL2	DIA. 2 mm 1SNA 163 070 R0000
AL3	DIA. 3 mm 1SNA 163 261 R0000
DCG	grey 1SNA 173 059 R0300
FC2	DIA. 2 mm 1SNA 007 865 R2600

BJMI6D (2)	2 poles	1SNA 179 668 R2000
BJMI6D (2)	3 poles	1SNA 179 669 R2100
BJMI6D (2)	4 poles	1SNA 179 670 R2600
BJMI6D (2)	5 poles	1SNA 179 671 R1300
BJMI6D (2)	10 poles	1SNA 179 672 R1400
EL6 (2)		1SNA 173 627 R2100
BJS61 (2) (3)	10 poles	1SNA 168 485 R2700
PC61	10 poles	1SNA 163 311 R2200
AD2,5		1SNA 114 205 R2000
CBM5D	th. 0,5 mm	1SNA 173 530 R2400

RC65 - RC610 RCT610

Quick-connect terminal block

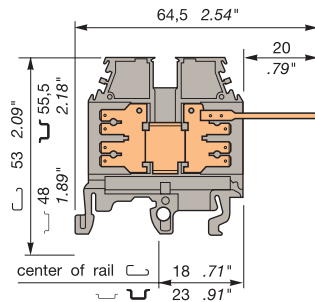
Quick-connect to horizontal wire wrapping

DIN 1 - DIN 3



M 2,5/6.2G.MG

Spacing 6 mm + 0,05 (.238")



3 tags for 6,3 x 0,8 or 2,8 x 0,8 mm tabs
 1 wrapping stem 1,6 x 0,8 mm.



Colour	Type	Part number	Colour	Type	Part number
Grey body	<input type="checkbox"/>	M 2,5/6.2G.MG			1SNA 115 244 R2700

End stop		th. 9 mm	BADL	V0	1SNA 399 903 R0200
End stop		th. 10 mm	BAM2	V2	1SNA 206 351 R1600
End stop		th. 10 mm	BAM2 V0	V0	1SNA 296 351 R0000
Rail		35 x 7,5 x 1	PR3.Z2		1SNA 174 300 R1700
Rail		35 x 15 x 2,3	PR4		1SNA 168 500 R1200
Rail		35 x 15 x 1,5	PR5		1SNA 168 700 R2200
Rail		32 x 15 x 1,5	PR1.Z2		1SNA 163 050 R0400

Other end stops, rails and accessories : see section on accessories.

Characteristics				Characteristics					
Wire size	NFC	DIN	UL	CSA	Wire size	NFC	DIN	UL	CSA
Quick-connect	2,8 x 0,8 mm tabs Series 110 - 1,5 mm ² max. n° 16 AWG				Quick-connect				
	6,3 x 0,8 mm tabs Series 250 - 2,5 mm ² max. n° 14 AWG								
Wrapped	wire DIA. 0,4 to 0,65 mm n° 26 to 22 AWG 3 wrappings				Wrapped				
	wire DIA. 0,8 mm n° 20 AWG								

Voltage				Voltage					
Rated	250 VGr.C				Rated				
Impulse withstand					Impulse withstand				
Pollution degree					Pollution degree				

Current				Current					
Rated					Rated				

Wire size				Wire size					
Rated					Rated				
Wire stripping length	Recomm. screwdriver	Recomm. torque	Protection	Wire stripping length	Recomm. screwdriver	Recomm. torque	Protection		

Notes

The use of some accessories may decrease the block's voltage ratings. For more information, consult us.

Accessories

	1 End section	grey
	2 Circuit separator	grey
	3 Separator end section (block)	grey
	4 Separator end section	grey
	5 Test socket	
	6 Test plug	
	8 Assembled jumper bar	32 A
	(with IP20 protection)	32 A
	9 Connector plate	35 A
	10 Jumper bar not assembled	32 A
	11 Alternated jumper bar	35 A
	12 Universal jumper bar	35 A
	13 Pivoting jumper bar	35 A
	14 Shield connector	
	R See section on markers marking method	

Type	Part numbers		Type	Part numbers	
FEM6G	th. 2,5 mm	1SNA 113 027 R0700			
SCM6		1SNA 113 003 R1000			
SCF6	th. 3 mm	1SNA 118 707 R0300			
SCFEX1	th. 2,4 mm	1SNA 103 619 R0400			
SCFEX3	th. 2,4 mm	1SNA 103 620 R0100			
AL2 (1)	DIA. 2 mm	1SNA 163 043 R2100			
AL3 (1)	DIA. 3 mm	1SNA 163 261 R0000			
FC2	DIA. 2 mm	1SNA 007 865 R2600			
BJMI6 (1)	2 poles	1SNA 176 663 R0000			
BJMI6 (1)	3 poles	1SNA 176 664 R0100			
BJMI6 (1)	4 poles	1SNA 176 665 R0200			
BJMI6 (1)	5 poles	1SNA 176 666 R0300			
BJMI6 (1)	10 poles	1SNA 176 667 R0400			
EL6		1SNA 173 627 R2100			
BJS6 (1) (2)	20 poles	1SNA 174 784 R2000			
BJA6 (1)	10 poles	1SNA 116 541 R1200			
BJDP (1)		(see access.)			
BJP6		1SNA 174 413 R1400			
CBM5	th. 0,5 mm	1SNA 178 745 R1400			
CBM8	th. 0,8 mm	1SNA 178 746 R1500			

RC65 - RC610 RCT610

Note : (1) A circuit separator **SC** may be required with the use of these accessories.
 (2) For other numbers of poles, see section : accessories.

Wire wrapping and quick-connect terminal block

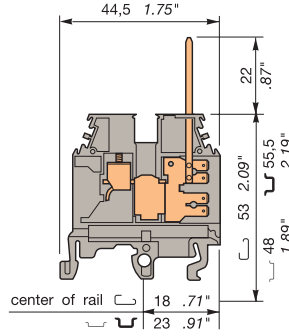
Screw clamp to quick-connect - vertical wire wrapping

DIN 1 - DIN 3



M 4/6.MG

Spacing 6 mm + 0,05 (.238")



Horizontal quick-connect outputs - 1 Screw clamp output - 1 wrapping stem 1,6 x 0,8 mm.



Colour	Type	Part number	Colour	Type	Part number
Grey body	<input type="checkbox"/>	M 4/6.MG			1SNA 115 295 R1300

Characteristics				Characteristics			
Wire size	NFC DIN	UL	CSA	Wire size	NFC DIN	UL	CSA
Screw clamp Rigid	0,2-4 mm ²			Screw clamp Rigid			
Screw clamp Flexible	0,22-4 mm ²			Screw clamp Flexible			
Quick-connect	2,8 x 0,8 mm tabs - Series 110 - 1,5 mm ² max. n° 16 AWG 6,3 x 0,8 mm tabs - Series 250 - 2,5 mm ² max. n° 14 AWG			Quick-connect			
Wrapped	wire DIA. 0,4 to 0,65 mm 3 wrappings wire DIA. 0,4 to 0,6 mm 2 wrappings			Wrapped			

Voltage				Voltage			
Rated	250 VGr.C			Rated			
Impulse withstand				Impulse withstand			
Pollution degree				Pollution degree			

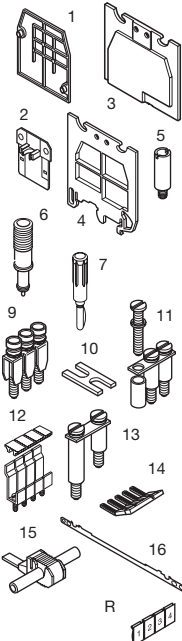
Current				Current			
Rated				Rated			

Wire size				Wire size			
Rated				Rated			
Wire stripping length	Recomm. screwdriver	Recomm. torque	Protection	Wire stripping length	Recomm. screwdriver	Recomm. torque	Protection
9,5 mm	4 mm	0,5-0,8 Nm					
.37"	.157"	4.4-7.1 lb.in					

Notes

The use of some accessories may decrease the block's voltage ratings. For more information, consult us.

Accessories



1	End section	grey	
2	Circuit separator	grey	
3	Separator end section (block)	grey	
4	Separator end section	grey	
5	Test socket		
6	Test device		
7	Test plug		
9	Assembled jumper bar (with IP20 protection)	32 A	
10	Connector plate	35 A	
11	Jumper bar not assembled	32 A	
12	Alternated jumper bar	35 A	
13	Universal jumper bar		
14	Comb-type jumper bar	35 A	
15	IDC jumper		
16	Shield connector		
R	See section on markers marking method		

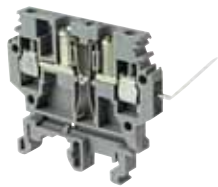
Type	Part numbers	Type	Part numbers
FEM6G	th. 2,5 mm 1SNA 113 027 R0700		
SCM6	1SNA 113 003 R1000		
SCF6	th. 3 mm 1SNA 118 707 R0300		
SCFEX1	th. 2,4 mm 1SNA 103 619 R0400		
SCFEX3	th. 2,4 mm 1SNA 103 620 R0100		
AL2 (1)	DIA. 2 mm 1SNA 163 043 R2100		
AL3 (1)	DIA. 3 mm 1SNA 163 261 R0000		
DCJ	yellow 1SNA 173 059 R0300		
FC2	DIA. 2 mm 1SNA 007 865 R2600		
BJMI6 (1)	2 poles 1SNA 176 663 R0000		
BJMI6 (1)	3 poles 1SNA 176 664 R0100		
BJMI6 (1)	4 poles 1SNA 176 665 R0200		
BJMI6 (1)	5 poles 1SNA 176 666 R0300		
BJMI6 (1)	10 poles 1SNA 176 667 R0400		
EL6	1SNA 173 627 R2100		
BJS6 (1) (2)	20 poles 1SNA 174 784 R2000		
BJA6 (1)	1SNA 116 541 R1200		
BJDP (1)	(see access.)		
PC6 (2)	10 poles 1SNA 113 548 R2600		
AD2,5	1SNA 114 205 R2000		
CBM5	th. 0,5 mm 1SNA 178 745 R1400		
CBM8	th. 0,8 mm 1SNA 178 746 R1500		

RC65 - RC610 RCT610
Note : (1) (1) A circuit separator **SC** may be required with the use of these accessories.
(2) For other numbers of poles, see section : accessories.

Wire wrapping terminal block for metering circuits

Screw clamp - wire wrapping

DIN 1 - DIN 3



End stop		th. 9 mm	BADL	V0	1SNA 399 903 R0200
End stop		th. 10 mm	BAM2	V2	1SNA 206 351 R1600
End stop		th. 10 mm	BAM2 V0	V0	1SNA 296 351 R0000
Rail		35 x 7,5 x 1	PR3.Z2		1SNA 174 300 R1700
Rail		35 x 15 x 2,3	PR4		1SNA 168 500 R1200
Rail		35 x 15 x 1,5	PR5		1SNA 168 700 R2200
Rail		32 x 15 x 1,5	PR1.Z2		1SNA 163 050 R0400

Other end stops, rails and accessories : see section on accessories.

Notes

Terminal block identical to a classical Screw clamp - wire wrapping block. Metering is carried out easily by means of a plug connected to a metering instrument without disturbing the connections.

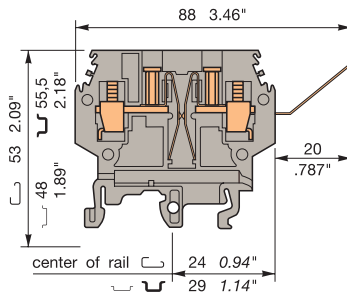
The use of some accessories may decrease the block's voltage ratings. For more information, consult us.

Accessories

	1 End section	grey
	2 Plug	
	3 Assembly key for plugs	
	4 Crimped pins	
	5 Crimping tool for BRC	
	6 Comb-type jumper bar	
	7 IDC jumper	
	8 Shield connector	
	R See section on markers marking method	

M 4/6.ST.Sn.M

Spacing 6 mm + 0,05 (.238")



Standard terminal block - delivered without plug.

Utilization of each type of plug

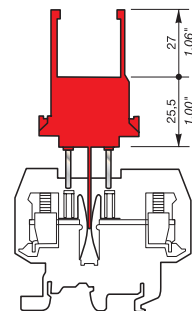
Number of operations : 200

On request, the plugs can be replaced by an insertable printed circuit for diagnosis testing.

BNT1 ("voltage" plug)

Red

1SNA 105 012 R1100



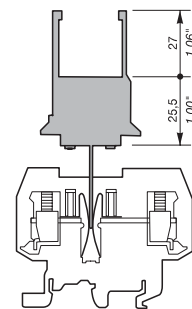
1st step : the plug cuts the circuit.

2nd step : the test circuit connection is made.

BNT2 ("polarity" plug)

Grey

1SNA 114 329 R2300

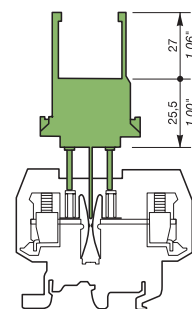


Plug not equipped with pins cuts the circuit.

BNT3 ("current" plug)

Green

1SNA 105 011 R1000



1st step : the test circuit is established

2nd step : the plug opens the circuit.

		CE	
Colour	Type	Part number	
Tinned contact blades			
Grey	<input type="checkbox"/> M 4/6.ST.Sn.M	1SNA 115 594 R0700	
Characteristics			
Wire size	NFC DIN	UL	CSA
Screw clamp	Rigid 0,2-4 mm ² Flexible 0,22-4 mm ²		
Wrapped	wire DIA. 0,4 to 0,65 mm 3 wrappings wire DIA. 0,4 to 0,8 mm 2 wrappings		
Voltage			
Rated	125 V Gr.C		
Impulse withstand			
Pollution degree			
Current			
Rated	5 A (1)		
Wire size			
Rated	4 mm ²		
Wire stripping length	Recomm. screwdriver	Recomm. torque	Protection
9,5 mm .374"	4 mm .157"	0,4-0,6 Nm 3.5-5.3 lb.in	

Type	Part numbers	
FEMT3	th. 2,5 mm	1SNA 114 328 R2200
BNT1	red	1SNA 105 012 R1100
BNT2	grey	1SNA 114 329 R2300
BNT3	green	1SNA 105 011 R1000
CVABM1		1SNA 183 436 R0500
BRC (2)		1SNA 173 902 R2600
BRC (2)		1SNA 174 558 R0500
BRC (2)		1SNA 173 906 R2200
BRC (2)		1SNA 173 907 R2300
BRC (2)		1SNA 173 908 R0400
BRC (2)		1SNA 174 601 R0100
PSC		1SNA 173 181 R1300
PC61	35 A 10 poles	1SNA 163 311 R2200
AD2,5	24 A	1SNA 114 205 R2000
CBM5	th. 0,5 mm	1SNA 178 745 R1400
CBM8	th. 0,8 mm	1SNA 178 746 R1500

Sides of block RC65 - RC610

Note : (1) Maximum withstand current : 30 A / 1 second.
(2) See section on modular connectors for crimping and assembly data.