

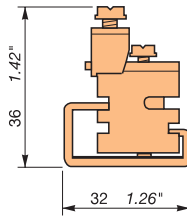
Ground terminal block

Screw clamp

☐ DIN 1 (EN 50035, DIN 46277/1, NFL 63018)

E 10/13.P

Spacing 13 mm (.512")



Type	Part number	Type	Part numbers
------	-------------	------	--------------

1 Screw clamp Can also be used as end stop	E 10/13.P	1SNA 162 855 R2300	
---	------------------	--------------------	--

Characteristics

Wire size	Screw clamp	Rigid Flexible	NFC	DIN	UL	CSA	NFC	DIN	UL	CSA
			0-16 mm ²	16-8 AWG						
			0-10 mm ²	16-8 AWG						
Rated current	A		85							
Rated wire size	mm ² /AWG		10 mm ²		8 AWG					

Other characteristics

Wire strip. length	Recomm. screwdriver	Recomm. torque	Protection	Wire strip. length	Recomm. screwdriver	Recomm. torque	Protection
12 mm .47"	6.5 mm .25"						

Accessories

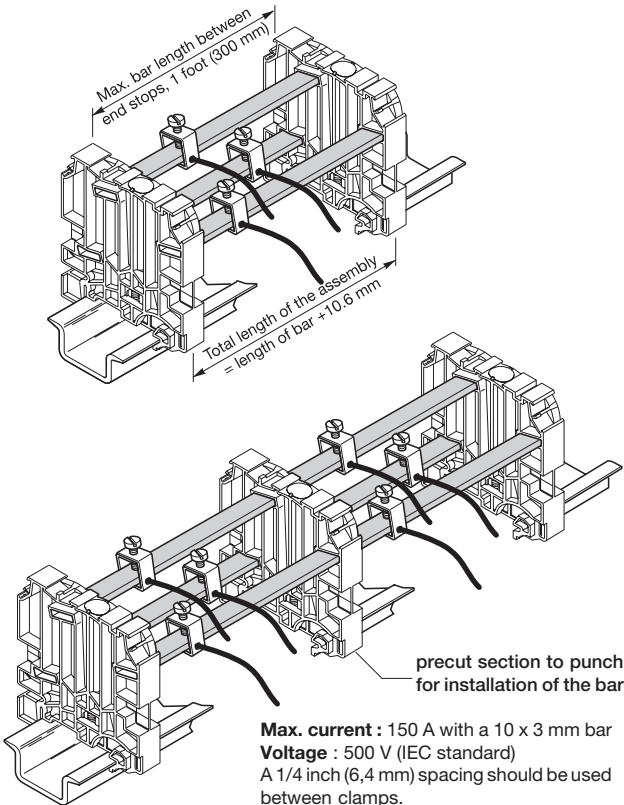
	Type	Part numbers	Type	Part numbers
1 Rail ☐ 32 x 15	PR1 Z2	1SNA 163 050 R0400		
2 Label with symbol "ground"	IDTBM	1SNA 167 357 R0400		

Distribution of polarities

If the distribution bar is longer than 1 foot (300 mm) use an intermediate end stop for support. In this case the precut bar passages need to be punched out of the end stop.

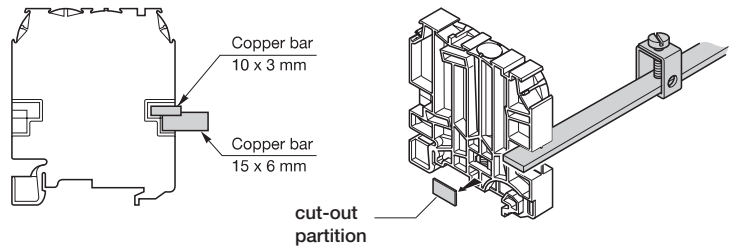
- Grey ☐ **BADH** 1SNA 116 900 R2700
- Grey ☐ **BAEH** 1SNA 116 934 R0400

Description	Types	Part numbers
Copper bar	BO3 1000 x 10 x 3 mm	1SNA 164 406 R2400
Wire clamp	SFB1 20-2 AWG (0.5-35 mm ²)	1SNA 163 860 R0500
Wire clamp	SFB2 6-2 AWG (16-35 mm ²)	1SNA 168 956 R0600

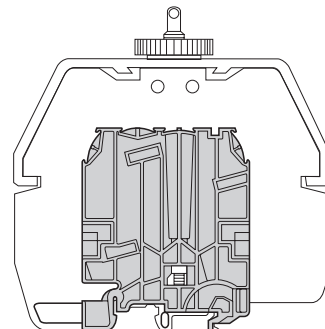


This end stop is also recommended :

1 - For use with neutral switch blocks series "NT"



2 - For use with separators SCFCV4 with protection cover

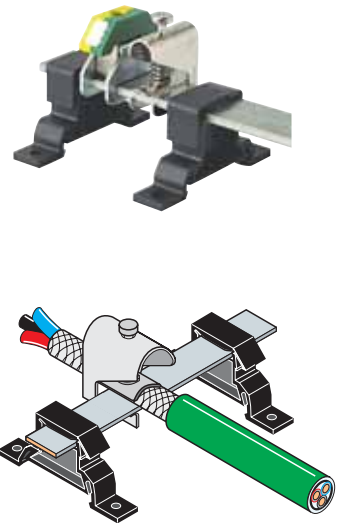
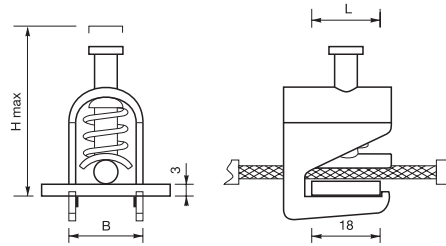


Connection with 18 x 3 mm collector bar

↳ DIN 3

Shield terminals for collector bar

- Mounting on 18 x 3 mm collector bar
- Easy shield connection to a collector bar
- Brass with nickel coating clamp with a steel spring to make contact without damaging the shield
- Shield terminals available in 4 versions (shield diameter from 1,5 to 24 mm)
- Not designed for wire connection
- Mounting : place the shield of the stripped cable on the collector bar. Hold the terminal on the shield, press and snap the terminal onto the collector bar. As soon as the terminal is released, contact is made on the bar through the spring pressure.

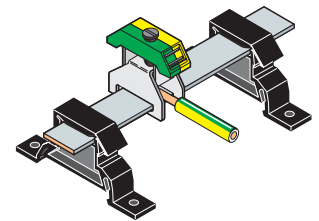
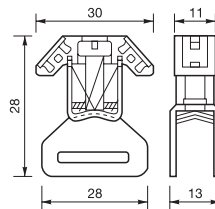


Characteristics

Shield diameter	B (mm)	L (mm)	H max (mm)	Spring force (N)	Description	P/N
1,5 - 6,5	10	25	40	8 - 13	SFB.B1	1SNA 205 170 R1400
5 - 11	17	25	47	22 - 31	SFB.B2	1SNA 205 171 R0100
10 - 17	23	25	63	32 - 58	SFB.B3	1SNA 205 172 R0200
16 - 24	30	25	78	37 - 53	SFB.B4	1SNA 205 173 R0300

Terminals for collector bar

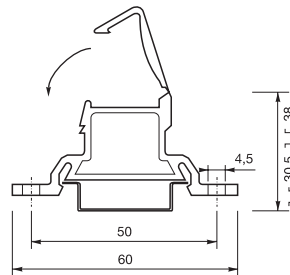
- 35 mm² terminal for 18 x 3 mm collector bar.
 - Stainless steel clamp and screw
 - Insulating part in polyamid 6,6 without halogen
 - Possibility to print 3 characters per marker
- If a separate ground is required, isolated mounting on rail should be made through a bar holder P/N 1SNA 205 176 R0600



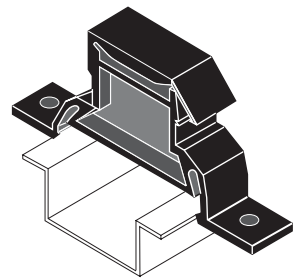
SFB.P 1SNA 205 174 R0400

Bar holder (isolated from ground)

- To be screwed on plate or snapped onto DIN 3 rail
- Thermoplastic material, black colour
- Spacing : 12 mm .473"



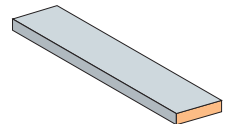
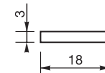
DSPBO.PI 1SNA 205 176 R0600



Collector bar

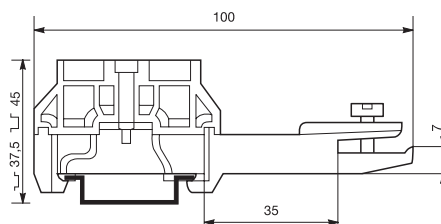
- Electroplated copper with tin coating 18 x 3 x 1000 mm

BO 318 1SNA 205 175 R0500

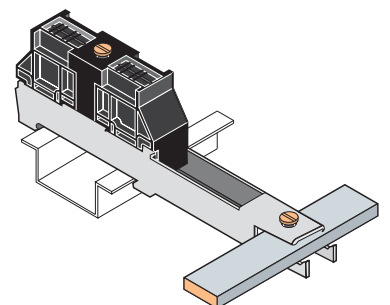


Bar holder (connected to the mounting rail)

- To be snapped onto DIN 3 rail.
- Thermoplastic material, black colour.
- Tinned coated steel socket
- Spacing : 10 mm .394"



DSPBO.P 1SNA 205 177 R0700



Bars with base for ground wire

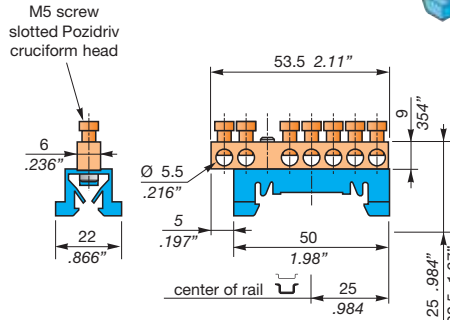
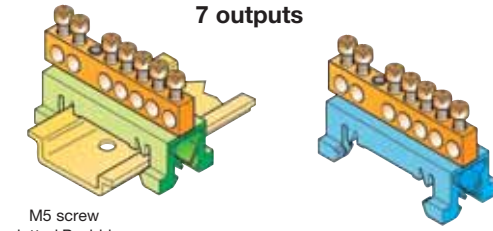
DIN 3



- PR3.Z2 35 x 7,5 x 1 1SNA 174 300 R1700
 - PR4 35 x 15 x 2,3 1SNA 168 500 R1200
 - PR5 35 x 15 x 1,5 1SNA 168 700 R2200
- Other rails : see section on accessories.

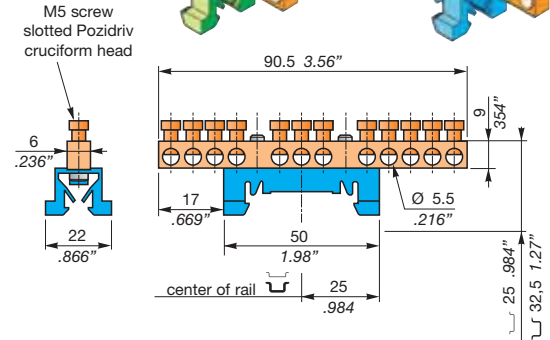
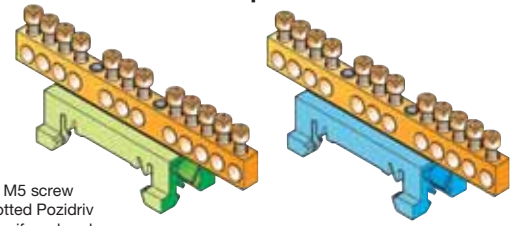
DBTI

7 outputs



Blue or green base - Mounting on DIN 3 rail

12 outputs



Blue or green base - Mounting on DIN 3 rail

Type	P/N	CE	Type	P/N	CE
7 outputs blue base DBTI	1SNA 356 100 R1500		12 outputs blue base DBTI	1SNA 356 102 R0300	
7 outputs green base DBTI	1SNA 356 101 R0200		12 outputs green base DBTI	1SNA 356 103 R0400	

Characteristics

	IEC	UL	CSA	IEC	UL	CSA
Connection - Screw clamp - Max. wire size	7 outputs 10 mm ²			12 outputs 10 mm ²		
Torque on screw Screw	1.5 Nm M5	13.3 lb.in M5	13.3 lb.in M5	1.5 Nm M5	13.3 lb.in M5	13.3 lb.in M5

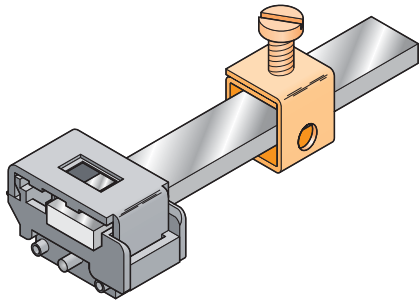
Characteristics

	IEC	UL	CSA	IEC	UL	CSA

Busbar clamp

10 x 3 or 6 x 6 or 15 x 6 mm
 .34 x .12 or .23 x .23 or .59 x .23"

DIN 1 - 2 - 3 or panel mount

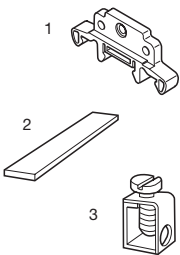


Rail		35 x 7,5 x 1	PR3.Z2	1SNA 174 300 R1700
Rail		35 x 15 x 2,3	PR4	1SNA 168 500 R1200
Rail		35 x 15 x 1,5	PR5	1SNA 168 700 R2200
Rail		32 x 15 x 1,5	PR1.Z2	1SNA 163 050 R0400

Other end stops, rails and accessories : see section on accessories.

Notes

Accessories



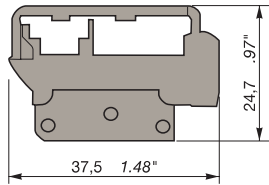
- 1 Locking foot
- 2 Busbar
- 3 Wire clamp



R See section on markers marking method

SPBO

Spacing 20 mm (.787")



Colour	Type	Part number
Reversible grey clamp	SPBO	1SNA 114 712 R1300

Characteristics

Wire size	NFC	DIN	UL	CSA
Screw clamp	Rigid			
	Flexible			
Neutral bar	see beside			
Voltage				
Rated	~ AC	750 V Gr.C		
Rated	= DC	660 V Gr.C		
Pollution degree				
Current				
Rated				
Wire size				
Rated / Gauge				
Wire strip. length	Recomm. screwdriver	Recomm. torque	Protection	

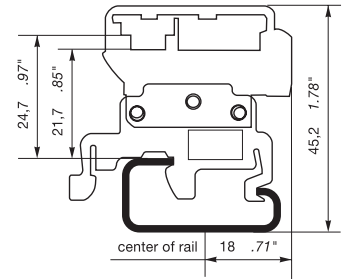
Type Part numbers

ACD13-6	for rail DIN 1 or DIN 3	1SNA 113 135 R0000
ACD23-6	for rail DIN 2 or DIN 3	1SNA 118 005 R2700
BO3	10x3 mm	1SNA 164 406 R2400
BO6	15x6 mm	1SNA 168 417 R2200
SFB1	for BO3 - 20-2 AWG (0,5-35mm ²)	1SNA 163 860 R0500
SFB2	for BO3 - 6-2 AWG (16-35mm ²)	1SNA 168 956 R0600
SFB3	for BO6 - 4-00 AWG (19-95mm ²)	1SNA 168 690 R1000

RC610

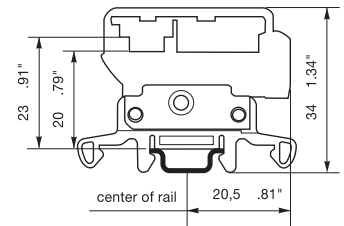
Mounting on rail PR1 with mounting foot

ACD13-6 1SNA 113 135 R0000 (DIN 1 - DIN 3)



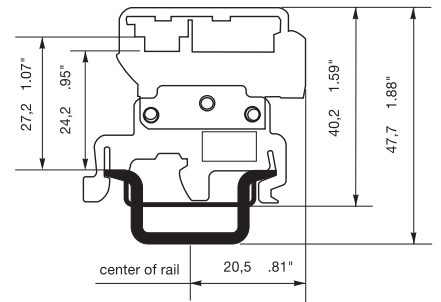
Mounting on rail PR2 with mounting foot

ACD23-6 1SNA 118 005 R2700 (DIN 2 - DIN 3)

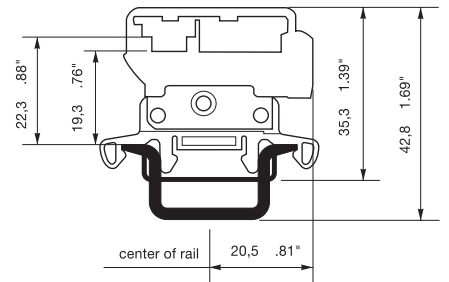


Mounting on rails PR3, PR30, PR4, PR5

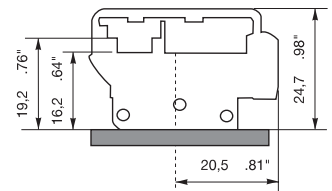
with mount.foot ACD13-6 1SNA 113 135 R0000 (DIN 1 - DIN 3)



with mount.foot ACD23-6 1SNA 118 005 R2700 (DIN 2 - DIN 3)



Mounting on panel by M4 screw



Various options of placing the busbars on the busbar clamp

Busbars	BO3 10 x 3	6 x 6	BO6 15 x 6
Option n° 1	X		
Option n° 2		X	
Option n° 3			X
Option n° 4	X		X
Option n° 5		X	X

